

Pluggable Multi-Pole SPD

SPT40-XXX/3(S)

Class II • Type 2 • Type 1CA

Location of Use: Sub-Distribution Boards
 Network Systems: TN-C
 Mode of Protection: L-PEN
 Surge Ratings: $I_n = 20 \text{ kA} (8/20 \mu\text{s})$
 IEC/EN/UL Category: Class II / Type 2 / Type 1CA
 Protective Elements: High Energy MOV
 Housing: Pluggable Design
 Compliance: IEC 61643-11:2011
 EN 61643-11:2012
 UL 1449 4th Edition



Technical Data

SPT40-XXX/3(S)		150	275	320	385	440
IEC Electrical						
Nominal AC Voltage (50/60Hz)	U_o / U_n	120 V	230 V	230 V	230 V	400 V
Maximum Continuous Operating Voltage (AC)	U_c	150 V	275 V	320 V	385 V	440 V
Nominal Discharge Current (8/20 μs)	I_n	20 kA	20 kA	20 kA	20 kA	20 kA
Maximum Discharge Current (8/20 μs)	I_{max}	40 kA	40 kA	40 kA	40 kA	40 kA
Voltage Protection Level	U_p	1000 V	1500 V	1600 V	1750 V	2000 V
Response Time	t_A	< 25 ns				
Back-Up Fuse (max)		125 A gL / gG				
Short-Circuit Current Rating (AC)	I_{SCCR}	25 kA / 50 kA				
TOV Withstand 5s	U_T	180 V	335 V	335 V	335 V	580 V
TOV 120min	U_T	230 V	440 V	440 V	440 V	765 V
	mode	Withstand	Safe Fail	Safe Fail	Safe Fail	Safe Fail
Number of Ports		1				
UL Electrical						
Maximum Continuous Operating Voltage (AC)	MCOV	150 V	275 V	320 V	385 V	440 V
Voltage Protection Rating	VPR	600 V	900 V	1000 V	1200 V	1500 V
Nominal Discharge Current (8/20 μs)	I_n	20 kA	20 kA	20 kA	20 kA	20 kA
Short-Circuit Current Rating (AC)	SCCR	200 kA	150 kA	150 kA	150 kA	200 kA
Mechanical & Environmental						
Operating Temperature Range	T_a	-40 °F to +158 °F [-40 °C to +70 °C]				
Permissible Operating Humidity	RH	5%...95%				
Atmospheric pressure and altitude		80k Pa ... 106k Pa / -500 m ... 2000 m				
Terminal Screw Torque	M_{max}	39.9 lbf-in [4.5 Nm]				
Conductor Cross Section (max)		2 AWG (Solid, Stranded) / 4 AWG (Flexible) 35 mm ² (Solid, Stranded) / 25 mm ² (Flexible)				
Mounting		35 mm DIN Rail, EN 60715				
Degree of Protection		IP 20 (built-in)				
Housing Material		Thermoplastic: Extinguishing Degree UL 94 V-0				
Thermal Protection		Yes				
Operating State / Fault Indication		Green ok / Red defect				
Remote Contacts (RC)		Optional				
RC Switching Capacity		AC: 250V / 0.5 A; DC: 250V / 0.1 A; 125 V / 0.2 A; 75 V / 0.5 A				
RC Conductor Cross Section (max)		16 AWG (Solid) / 1.5 mm ² (Solid)				

SPT40-XXX/3(S)



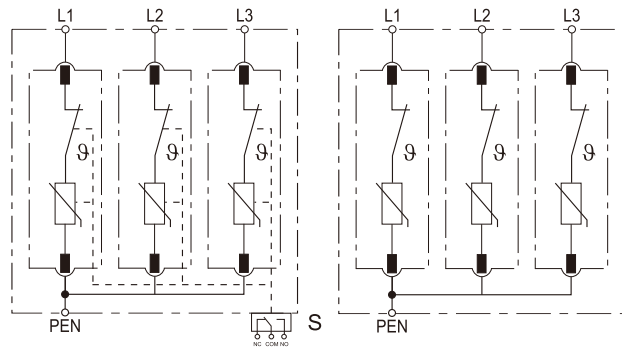
Order Information

Order Code	150	275	320	385	440
SPT40-XXX/3	4015031	4027531	4032031	4038531	4044031
SPT40-XXX/3S (with remote contacts)	4015032	4027532	4032032	4038532	4044032
SPT40-XXX/0 (spare modules)	4015001	4027501	4032001	4038501	4044001

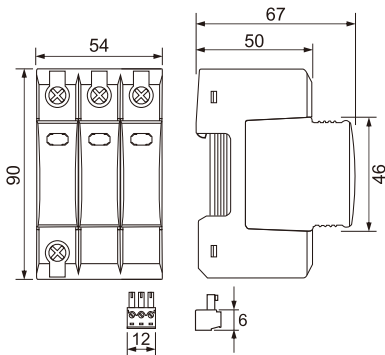
Internal Configuration

Legend

- L Line
- N Neutral
- PE Protective Earth
- S Signalling Contacts Optional



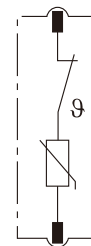
Dimensions & Packaging



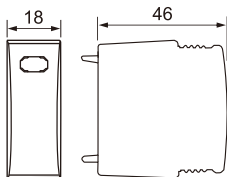
Dimensions & Packaging

SPT40-XXX/3(S)	150	275	320	385	440
Single Unit DIN 43880 Dimension	1 CTN				
Packaging Dimensions (H x W x L)	[270 x 230 x 330 mm]				
Minimum Order Quantity	30 Units				

SPT40-XXX/0



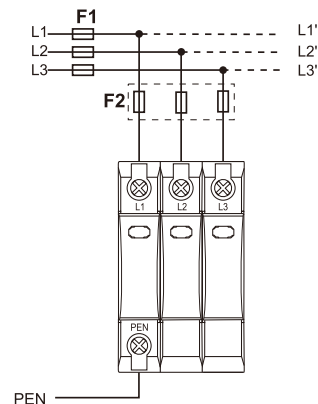
Dimensions & Packaging



Dimensions & Packaging

SPT40-XXX/0	150	275	320	385	440
Single Unit DIN 43880 Dimension	1 CTN				
Packaging Dimensions (H x W x L)	[270 x 230 x 330 mm]				
Minimum Order Quantity	96 Units				

TN-C (Three-phase, 3+0)



Connection Diagram