

Monoblock Multi-Pole SPD

SPT25-XXX/3(S)+1

Class I • Class II • Type 1 • Type 2

Location of Use: Main Distribution Boards
 Network Systems: TT, TN-S
 Mode of Protection: L-N / L'-N, N-PE
 Surge Ratings: $I_{imp} = 25 \text{ kA} / 100 \text{ kA} (10/350 \mu\text{s})$
 $I_n = 25 \text{ kA} / 100 \text{ kA} (8/20 \mu\text{s})$
 IEC/EN Category: Class I+II / Type 1+2
 Protective Elements: High Energy MOV and GDT
 Housing: Monoblock Design
 Compliance: IEC 61643-11:2011
 EN 61643-11:2012



Technical Data

SPT25-XXX/3(S)+1

150 275 320 385

IEC Electrical		150	275	320	385
Nominal AC Voltage (50/60Hz)		120 V	230 V	230 V	230 V
Maximum Continuous Operating Voltage	(L - N) U_c	150 V	275 V	320 V	385 V
	(N - PE) U_c	255 V	255 V	255 V	255 V
Nominal Discharge Current (8/20 μs)	(L - N) / (N - PE) I_n		25 kA / 100 kA		
Maximum Discharge Current (8/20 μs)	(L - N) / (N - PE) I_{max}		100 kA		
Impulse Discharge Current (10/350 μs)	(L - N) / (N - PE) I_{imp}		25 kA / 100 kA		
Total Discharge Current (10/350 μs)	I_{total}		100 kA		
Specific Energy	(L - N) / (N - PE) W/R		156 kJ / Ω / 2.5 M kJ / Ω		
Charge	(L - N) / (N - PE) Q		12.5 As / 50 As		
Voltage Protection Level	(L - N) / (N - PE) U_p	1000 V / 1500 V	1500 V / 1500 V	1600 V / 1500 V	1800 V / 1500 V
Follow Current Interrupt Rating	(N-PE) I_{fi}		100 A _{RMS}		
Response Time	(L - N) / (N - PE) t_A		< 25 ns / < 100 ns		
Back-Up Fuse (max)			315 A gL / gG		
Short-Circuit Current Rating (AC)	(L - N) I_{SCCR}		50 kA		
TOV Withstand 5s	(L - N) U_T	180 V	335 V	335 V	335 V
TOV 120min	(L - N) U_T	230 V	440 V	440 V	440 V
TOV Withstand 200ms	(N - PE) U_T		1200 V		
Number of Ports			1		
Mechanical & Environmental					
Operating Temperature Range	T_a	-40 °F to +158 °F [-40 °C to +70 °C]			
Permissible Operating Humidity	RH	5%...95%			
Atmospheric pressure and altitude		80k Pa ... 106k Pa / -500 m ... 2000 m			
Terminal Screw Torque	M_{max}	26.5 lbf·in [3.0 Nm]			
Conductor Cross Section (max)		2 AWG (Solid, Stranded) / 4 AWG (Flexible)			
		35 mm ² (Solid, Stranded) / 25 mm ² (Flexible)			
Mounting		35 mm DIN Rail, EN 60715			
Degree of Protection		IP 20 (built-in)			
Housing Material		Thermoplastic: Extinguishing Degree UL 94 V-0			
Thermal Protection		Yes			
Operating State / Fault Indication		Green ok / Red defect			
Remote Contacts (RC)		Optional			
RC Switching Capacity		AC: 250V / 0.5 A; DC: 250V / 0.1 A; 125 V / 0.2 A; 75 V / 0.5 A			
RC Conductor Cross Section (max)		16 AWG (Solid) / 1.5 mm ² (Solid)			

SPT25-XXX/3(S)+1



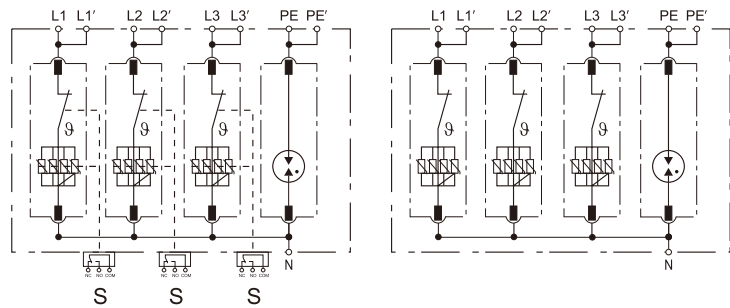
Order Information

Order Code	150	275	320	385
SPT25-XXX/3+1	2515033	2527533	2532033	2538533
SPT25-XXX/3S+1(with remote contacts)	2515034	2527534	2532034	2538534

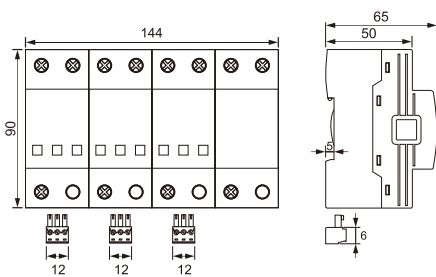
Internal Configuration

Legend

- L / L' Line
- N Neutral
- PE / PE' Protective Earth
- S Signalling Contacts Optional



Dimensions & Packaging



Dimensions & Packaging

SPT25-XXX/3(S)+1	150	275	320	385	440
Single Unit DIN 43880 Dimension	1 CTN				
Packaging Dimensions (H x W x L)	[260 x 230 x 320 mm]				
Minimum Order Quantity	12 Units				

Connection Diagram

TN-S, TT (Three-phase, 3+1)

