

CTD150 Series

CTD150, CTU150, CTW150



코일정격 (Magnet coil ratings)

Nominal voltage(V)	Item	Intermittently resistance (Ω)	continuously resistance (Ω)	Pull-in voltage (V)	Drop-out voltage (V)	Max. voltage (V)	Coil power(W) dissipation
DC	80	212	427	66% max.	10% min.	110%	Intermittently 30~40
	72	150	417				
	60	102	282				
	48	73	150				Continuously 10~15
	36	44	102				
	24	17	44				
	12	5	13				

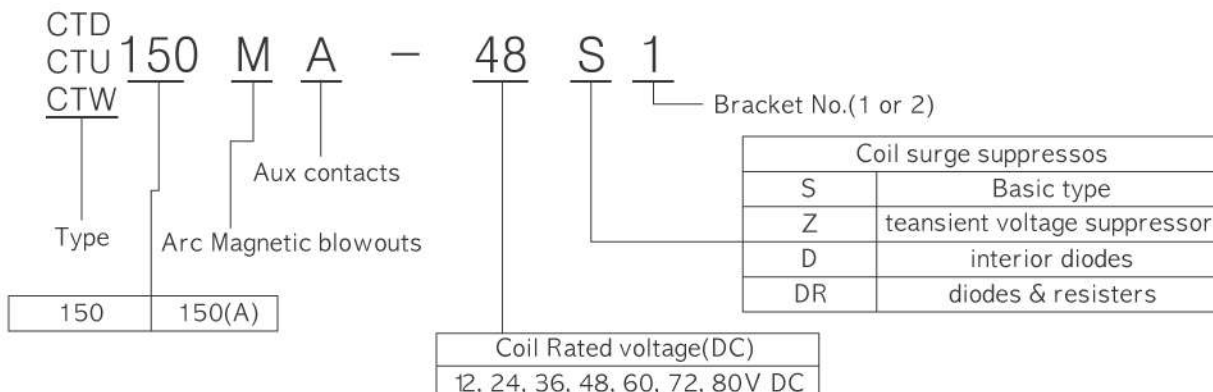
Notes : 1. Nominal current and coil resistance are measured at +20°C.
 2. Differences of coil resistance are ±15%.
 3. Performance characteristic coil temperature is measured at 20°C.

접점정격 (Contact ratings)

(60VDC기준)

Item	Type	MONOBLOCK SINGLE POLE DOUBLE THROW
		POLE DOUBLE THROW Motor reversing
Thermal current rating(100%)		150A (Continuous)
Max. switching voltage(DC)		96VDC (Without blowouts type)
Voltage drop across contacts per 100A		30mV max.(normally open)
Voltage drop across contacts per 100A		40mV max.(normally closed)

주문방법 (Ordering information)



CTD150 Series



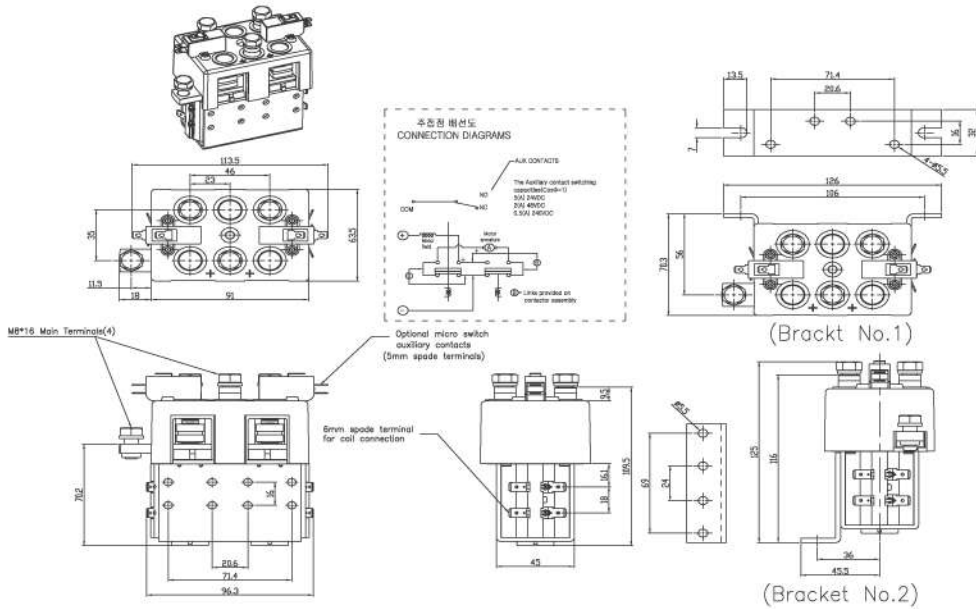
CTD150 Series

CTD150, CTU150, CTW150



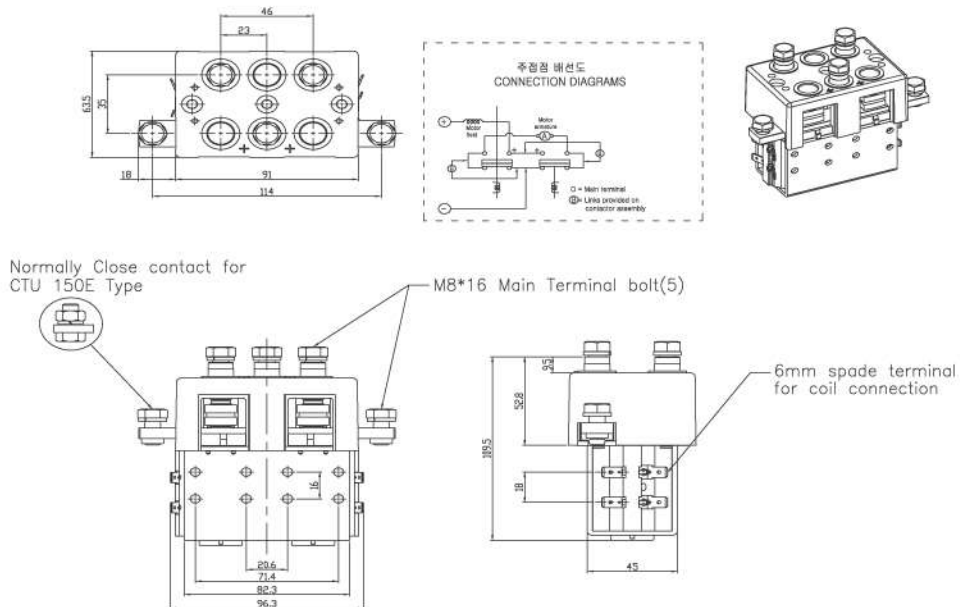
외형치수도 (Dimension in mm)

CTD150



외형치수도 (Dimension in mm)

CTU150



CTD150 Series

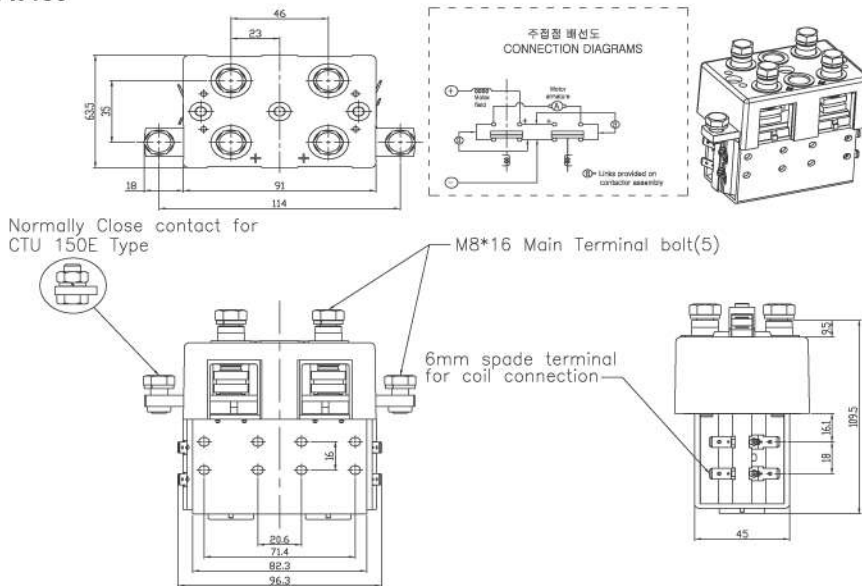
CTD150 Series

CTD150, CTU150, CTW150



외형치수도 (Dimension in mm)

CTW150



특성곡선 (Contact performance curve)

Max. continuous thermal current rating(amperes)
150A CONTINUOUS(연속)

