



# CTD88 Series

CTD88, CTU88, CTW88



## 코일정격 (Magnet coil ratings)

Nominal voltage(V)	Item	Intermittently resistance (Ω)	continuously resistance (Ω)	Pull-in voltage (V)	Drop-out voltage (V)	Max. voltage (V)	Coil power(W) dissipation
	DC	80	365	600	66% max.	10% min.	110%
72		305	458				
60		212	305				
48		120	212	Continuously 7~12			
36		73	120				
24		29	52				
12		9	14				

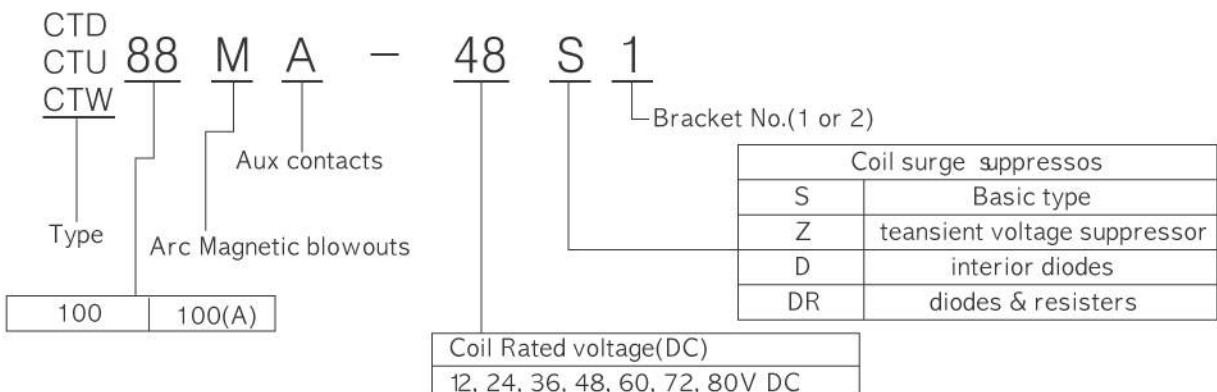
- Notes : 1. Nominal current and coil resistance are measured at +20°C.  
 2. Differences of coil resistance are ±10%.  
 3. Performance characteristic coil temperature is measured at 20°C.

## 접점정격 (Contact ratings)

(60VDC기준)

Item	MONOBLOCK SINGLE POLE DOUBLE THROW POLE DOUBLE THROW Motor reversing
Thermal current rating(100%)	100A (Continuous)
Max. switching voltage(DC)	96VDC (Without blowouts type)
Voltage drop across contacts per 100A	30mV max.(normally open)
Voltage drop across contacts per 100A	40mV max.(normally closed)

## 주문방법 (Ordering information)



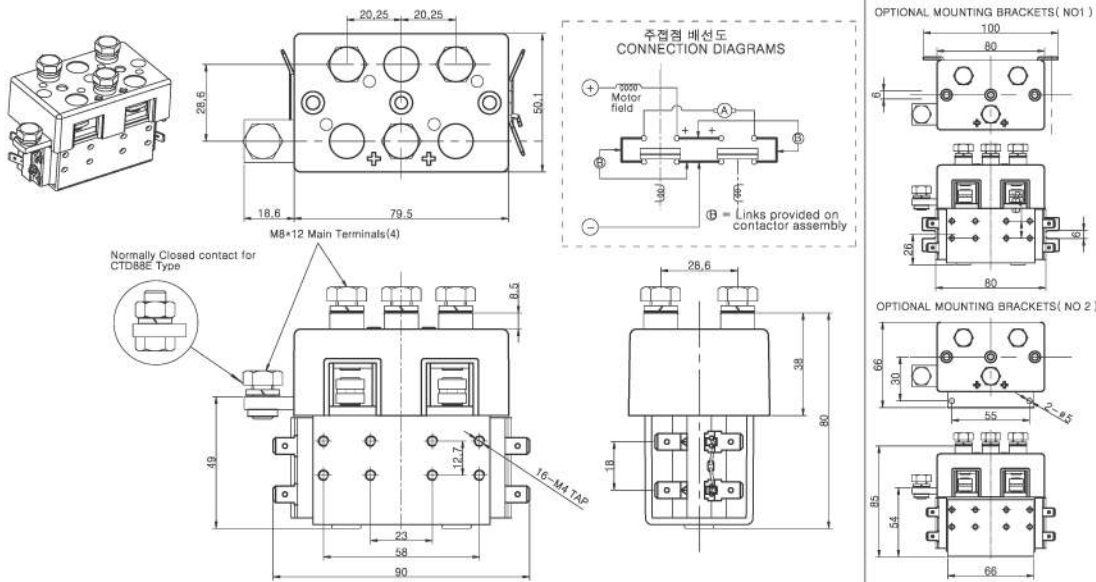
# CTD88 Series

CTD88, CTU88, CTW88



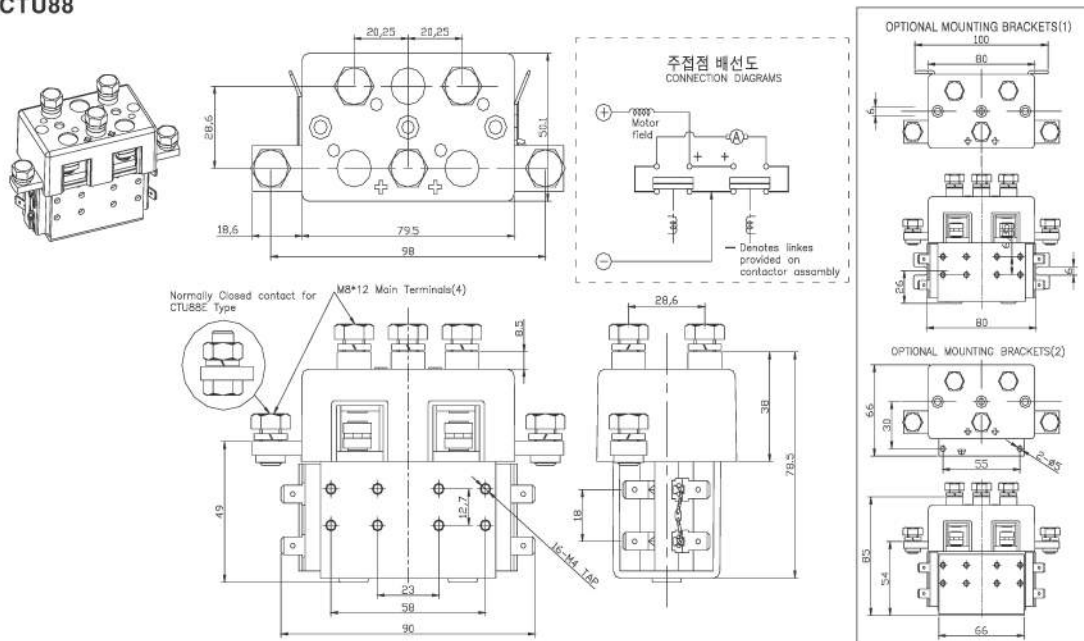
## 외형치수도 (Dimension in mm)

CTD88



## 외형치수도 (Dimension in mm)

CTU88



CTD88 Series

