



CTS1200 Series

CTS1000A, 1200A



CTS1200 Series

코일정격 (Magnet coil ratings)

Nominal voltage(V)	Item	Nominal current (A)	Coil resistance (Ω)	Pull-in voltage (V)	Drop-out voltage (V)	Max. voltage (V)	Coil power(W) dissipation
DC	110	0.14	800	70% max.	10% min.	110%	13 to 20
	60	0.25	240				
	48	0.32	150				
	24	0.63	38				
	12	1.26	9.5				
	6	2.5	2.4				

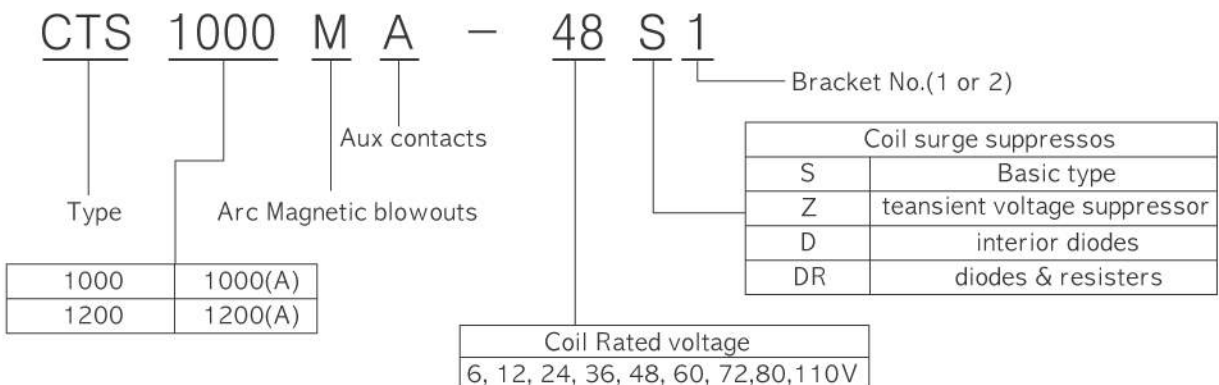
Notes : 1. Nominal current and coil resistance are measured at +20°C.
 2. Differences of coil resistance are ±10%.
 3. Performance characteristic coil temperature is measured at 20°C.

접점정격 (Contact ratings)

(60VDC기준)

Item	Type	1Pole Resistive load (cosφ = 1)	
		CTS1000	CTS1200
Carry current		1,000A	1,200A
Max. switching current		1,000A	1,200A
Max. switching capacity		60KW	72KW
Voltage drop across contacts per 100A		15mV max	15mV max
Description		S.P On/Off	

주문방법 (Ordering information)

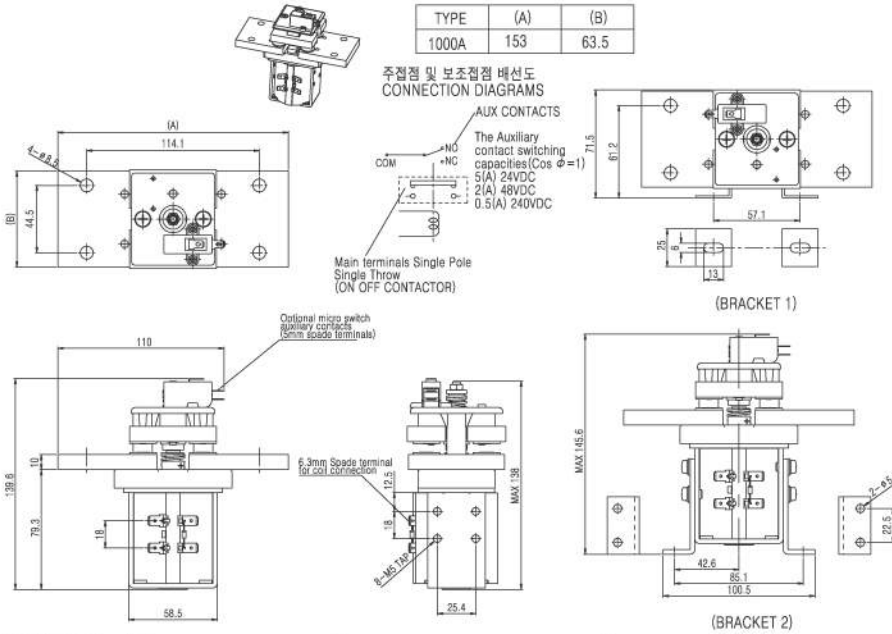


CTS1200 Series

CTS1000A, 1200A



외형치수도 (Dimension in mm)



특성곡선 (Contact performance curve)

