



CTT400 Series

CTT300A, 350, 400, 403



CTT400 Series

코일정격 (Magnet coil ratings)

Nominal voltage(V)	Item	Nominal current (mA)	Coil resistance (Ω)	Pull-in voltage (V)	Drop-out voltage (V)	Max. voltage (V)	Coil power(W) dissipation
DC	110	134 / 280	820 / 390	70% max.	10% min.	110%	Continuously 13 to 20
	80	180 / 380	440 / 210				
	72	200 / 450	360 / 160				
	60	238 / 545	252 / 110				
	48	300 / 660	160 / 73				Intermittently 30 to 40
	36	400 / 880	90 / 41				
	24	545 / 1410	44 / 18				
	12	1200 / 2400	10 / 5				
	6	2400 / 4600	2.5 / 1.30				

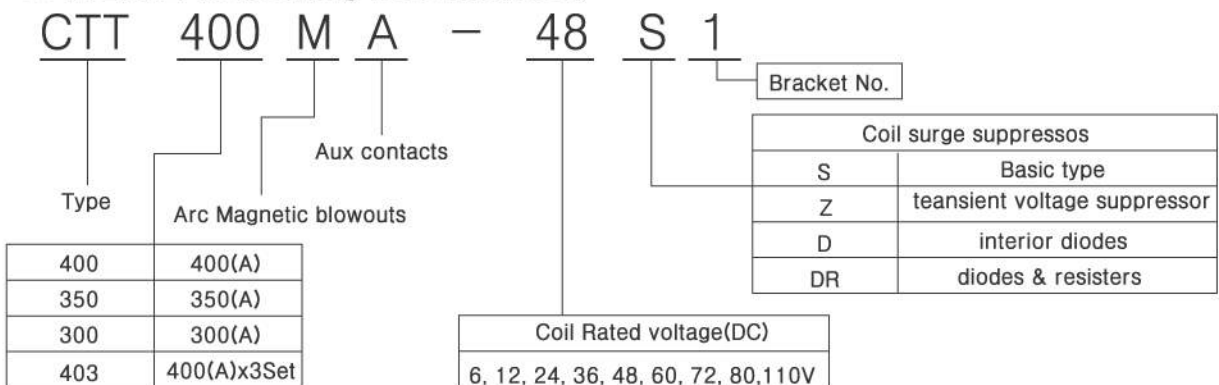
Notes : 1. Nominal current and coil resistance are measured at +20℃.
 2. Differences of coil resistance are ±10%.
 3. Performance characteristic coil temperature is measured at 20℃.

접점정격 (Contact ratings)

(60VDC기준)

Item	Type	1Pole Resistive load (cosφ =1)		
		300A	350A	400A
Max. switching current		300A	350A	400A
Max. switching voltages(With blowouts type)		250VDC	250VDC	250VDC
Max. switching voltages(Without blowouts type)		60VDC	60VDC	60VDC
Voltage drop across contacts per 100A		40mV	35mV	30mV
Description		S.P On/Off	S.P On/Off	S.P On/Off

주문방법 (Ordering information)

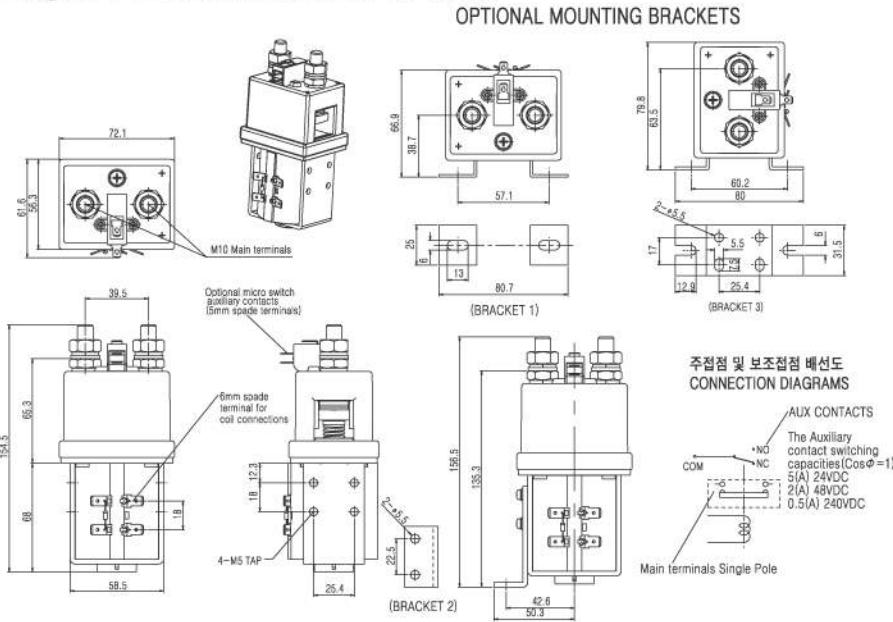


CTT400 Series

CTT300A, 350, 400, 403



외형치수도 (Dimension in mm)



특성곡선 (Contact performance curve)

