



CTT200 Series



코일정격 (Magnet coil ratings)

Nominal voltage(V)	Item	Nominal current (mA)	Coil resistance (Ω)	Pull-in voltage (V)	Drop-out voltage (V)	Max. voltage (V)	Coil power(W) dissipation
DC	110	123 / 282	895 / 390	70% max.	10% min.	110%	Continuously 10 to 15
	80	172 / 380	465 / 210				
	72	192 / 450	375 / 160				
	60	228 / 590	263 / 102				
	48	308 / 658	160 / 73				Intermittently 30 to 40
	36	350 / 880	103 / 41				
	24	522 / 1410	46 / 17				
	12	1090 / 2400	11 / 5				
	6	2000 / 4600	3 / 1.3				

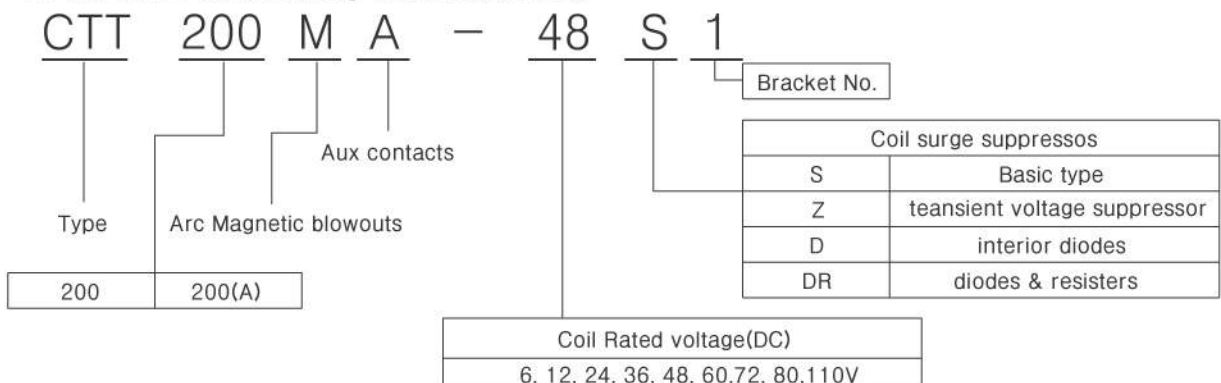
Notes : 1. Nominal current and coil resistance are measured at +20°C.
 2. Differences of coil resistance are ±15%.
 3. Performance characteristic coil temperature is measured at 20°C.

접점정격 (Contact ratings)

(60VDC기준)

Item	Type	1Pole Resistive load (cosφ =1)
Max. switching current		200A
Max. switching voltage(DC)		60VDC (Without blowouts type)
Max. switching voltage(DC)		250VDC (With blowouts type)
Voltage drop across contacts per 100A		40mV max.
Description		S.P On/Off

주문방법 (Ordering information)

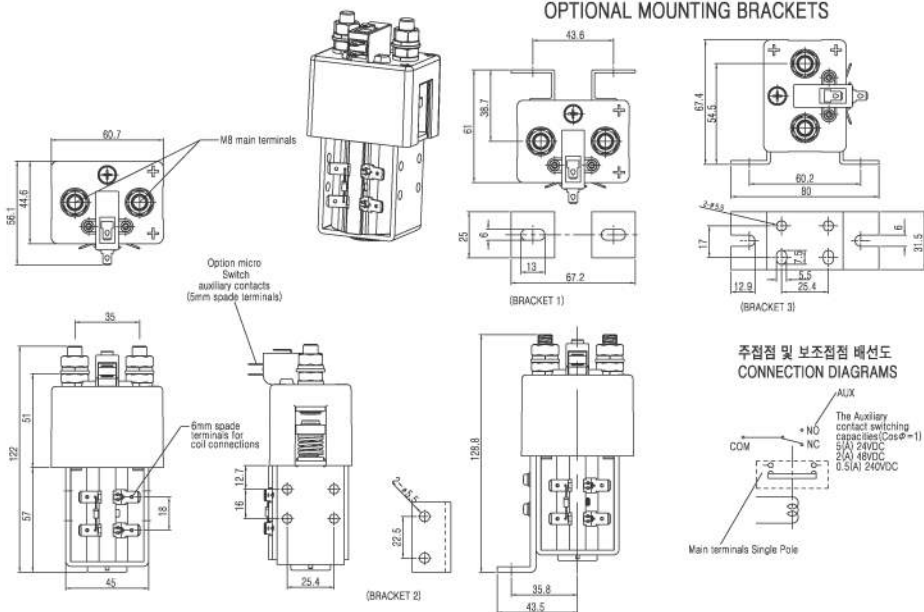


CTT200 Series

CTT200 Series



외형치수도 (Dimension in mm)



특성곡선 (Contact performance curve)

