



iSAP5100

Multiservice Access Multiplexer (4.5U)

The iSAP5100 is a 4U 19" 20 slots rack type STM1 / E1 Time Division Multiplexer for fractional E1 network access, which is designed for non-stop operation. There are 18 slots available for hot-swappable iSAP5100 I/O cards. Two slots are provided for CPU Controller cards and two slots are provided for power supplies. Uplink supports STM1 fiber and E1 copper, two types of connection, maximum up to 144x E1 cross connect for Voice and Data. The iSAP5100 accommodates up to two separate power supplies, which may derive power from AC (110/220) or DC (-36~72V) power sources. When two power supplies are installed, the modules provide complete power redundancy and are hot swappable even during the E1 cards' transmission. The iSAP5100 provides STM1 fiber and E1 copper uplink with a the maximum E1 support of up to 96 E1 channels with cross connection for Voice and Data or interface including RS232, V.35, FXS, FXO, ET100 and E&M. CTC Union also provides and maintains our own SmartView EMS (Element Management System) which is a Java based client/server manager for monitoring , configuration, maintenance, or troubleshooting a large number of network elements over a long period of time.

Tributary Cards

- Control card: 5100-MS-DM-96, 5100-MS-DM-155
- E1 card: iSAP-8E1, iSAP-16E1
- Power modules: 5100-AC240, 5100-DC240
- I/O cards: iSAP-RS232, iSAP-V35, iSAP-ET100, iSAP-E&M, iSAP-FXS, iSAP-FXO

Features

- Supports MAX. 96x E1 with full cross-connect, Supports DS0 cross-connect
- Supports 16 channel Main E1 LTU card
- Supports E1 time slot broadcast function
- Modular design for Voice I/O card, the voice I/O card has two sub-module, each sub-module supports 4-port FXO/FXS
- All modules and cards support hot-swapping
- DCE card types included N x 64K, RS232(Sync/Async), ET100, E&M, FXO, FXS...etc.
- Supports Console, Telnet, SNMP and GUI management
- Available types of power built-in : AC+AC, AC+DC, DC+DC
- Modular design, 5U 19", 18-slot for I/O cards

Specifications

5100-MS-DM-96	
Interface	10/100Base-TX Ethernet RJ45 port
Console	RS232
E1 Cross Connect	144xE1 Transparent cross connect , Supports E1 time slot mapping / broadcast function
CAS Cross Connect	Supports 16 time slot CAS follow voice time cross connect
5100-MS-DM-155	
Interface	Supports 1-port STM-1 155M SFP Slot on CPU card, CPU redundancy (1+1)
NMC	10/100Base-TX
Console	RS232
E1 Cross Connect	155M fiber to 63E1 and 144xE1 cross connect, supports E1 /time slot mapping/broadcast function
CAS Cross Connect	Supports time slot 16 CAS follow voice time cross connect
STM-1/E1 Drop/Insert	Supports STM-1 63E1 x 32TS to E1/IO slot 128E1 x 32TS connection
iSAP-8E1/iSAP-16E1	
Interface	Supports 8E1/16E1 interface
Line Impedance	120 / 75 ohms
Frame format	CAS (PCM30)/CCS (PCM31)
Connector	RJ45
iSAP-RS232	
Data rate	≤38.4kbps Async or 64/128kbps Sync
Ports	6-port
Interface	RS232
iSAP-V35	
Interface types	V.35
Connector	HD68F (female) with cable adapter
Line code	NRZ
Data rate	Nx64kbps

iSAP-ET100	
Standards	IEEE 802.3, 802.3u
MDI/MDIX	Auto
Data rate	10/100Mbps
Encapsulation	HDLC
Ports	4-port
Connector	RJ45
iSAP-E&M	
Loop current	25 mA, maximum 70mA
Ports	8-port
Connector	RJ45
iSAP-FXS	
ITU-T Standard	G.712/G.713/G.714
Line resistance	600Ω
Off-hook current	25mA
Line distance	2km
Ports	8-port
On-hook current	10mA+/-3mA
Effective Ring	Frequency: 25Hz, Voltage: 75V, peak to peak110V MAX line resistance: 1500Ω
Connector	RJ45
iSAP-FXO	
ITU-T Standard	G.712, G.713, G.714
Line resistance	600Ω
Line distance	2km
Ports	8-ports
Caller ID	Supports DTMF, FSK Standard
Electrical & Mechanical	
Dimensions	350 × 440 × 187 mm (D x W x H)
Environmental	Operating: 0~60°C Storage: -25~70°C Humidity: 10~90%, non-condensing
Power	AC 220V : 165~265V, 50~60Hz, DC -48V: -36~-72VDC
Power Consumption	< 90W

Figure1 : Point to Multi-points 16E1 aggregation

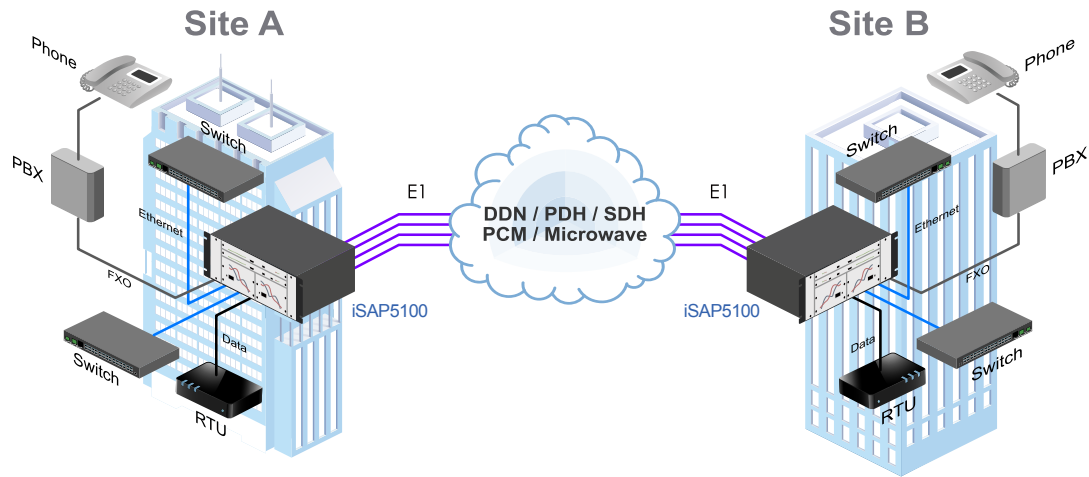
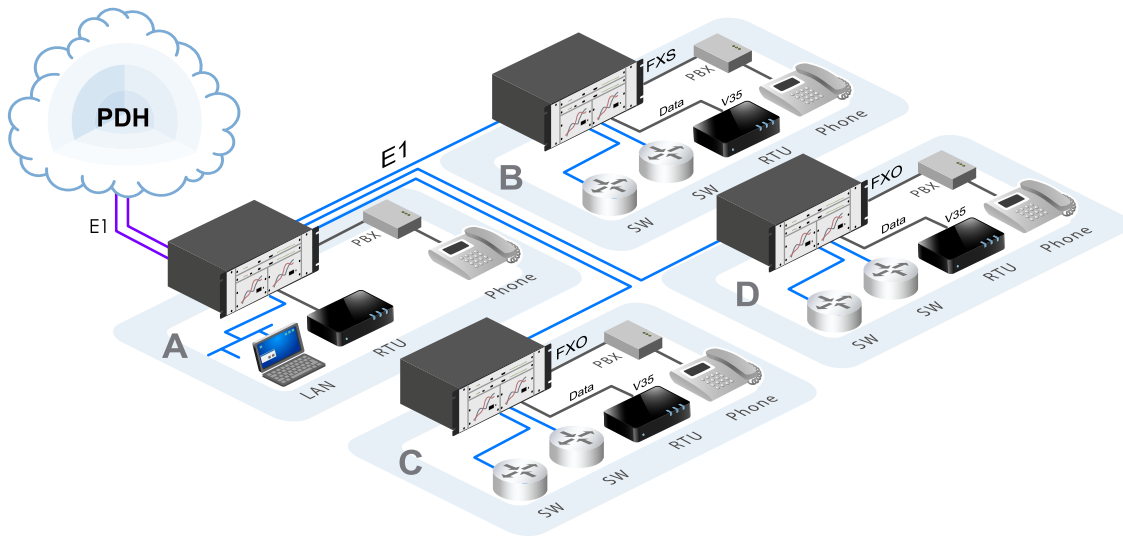


Figure2 : Point to Multi-points 63E1 aggregation over STM-1



Ordering Information

Model Name	Type	Description
iSAP5100-CH	Chassis	5U 19" 20 slot Chassis, power modules not included (18-slot for I/O cards, 2-slot for CPU card)
iSAP5100/AC	Power	AC Power plug-in module (165 to 265 VAC)
iSAP5100/DC	Power	DC Power plug-in module (±36 to ±76 VDC)
iSAP-EMS	Software	EverLink2000 EMS software for iSAP5100 and iSAP2000
iSAP-8E1R	Main E1 card	8 channels Main-E1 LTU card: Fractional E1 RJ45
iSAP-16E1R	Main E1 card	16 channels Main-E1 LTU card: Fractional E1 RJ45
iSAP-CAB-RJ45/4BNC	Cable	2ch E1 RJ45 to 4BNC cable (1.5 meter)
iSAP5100-MS-DM-96	CPU-card	CPU card with console, SNMP management port
iSAP5100-MS-DM-155	CPU-card	CPU card with console, SNMP management port and STM1 fiber port
iSAP-FXO	Voice card	8 channels FXO interface card
iSAP-FXS	Voice card	8 channels FXS interface card
iSAP-E&M	Voice card	8 channels 2/4 wires E&M voice interface card
iSAP-RS232	RS-232 card	6 channels RS-232 interface card (V4.0), Low speed: 128kbps 19.2kbps Async
CAB-DB62DB25F6-232-LS	Cable	RS-232 adapter cable for low speed: DB62 Male to 6x DB25 Female, 1M
iSAP-ET100	FE card	4 channels 10/100Base-TX Ethernet Bridge card
iSAP-DATA	Data card	4 channels V.35/X.21/RS530/RS449 cards
CAB-HP68MB34F4-V35	Cable	V35 adapter cable for High speed: HP68 Male to 4x MB34 Female, 1M
CAB-HP68DB25F4-530	Cable	RS530 adapter cable for High Speed: HP68 Male to 4x DB25 Female, 1M
CAB-HP68DB15F4-X.21	Cable	X21 adapter cable for High speed: HP68 Male to 4x DB15 Female, 1M
CAB-HP68DB37F4-449	Cable	RS449 adapter cable for High Speed: HP68 Male to 4x DB37 Female, 1M

Chassis
Card Type
iSAP5100 -
 Example: iSAP5100 - CH Example: iSAP5100 - 8E1R

Control Card



iSAP5100-MS-DM-96 iSAP5100-MS-DM-155

CPU Control SNMP
Management Card

Features

- RS-232 port for dumb terminal at 9.6k, 8bit, no parity
- SNMP V1 and V2C support
- MIB file compliant to MIB-II ASN.1
- Firmware upgrade by TFTP
- Hot swappable

Specifications

Electrical Interface	Console RS-232 port NMS LAN 10/100Base-TX
Fiber Interface	STM-1 155Mbps (MS-DM-96) SFP-LC (MS-DM-155)
Network Management	Telnet, SNMP, EMS, local console port
Dimensions	340 × 145 × 32mm (W × D × H)
Temperature	0°C ~ 50°C
Humidity	5 ~ 95%
MTFB	65,000 hrs

Aggregate Card



iSAP-8E1R iSAP-16E1R

Main E1 Cross Connect
Aggregate Card

Features

- Available in 8,16 E1 channels
- Supports PCM31 or PCM30 framed/unframed
- Path / Card Redundancy / Hot Swappable
- E1 timeslots can support cross-connect function
- E1 channel can act as Sub-E1 for drop & insert

Specifications

Frame format	CAS(PCM30) / CCS(PCM31) ; CRC on/off , framed/ unframed
Bit rate	2.048Mbps
Line codes	HDB3/AMI
Rx sensitivity	0 ~ -43dB
Tx driver	1.5km over 0.5mm E1 cable
Line impedance	75 ohms (unbalanced) 120 ohms (balanced)
Pulse amplitude	nominal 2.37V (75ohm) nominal 3.00V (120ohm)
Pulse shape	According to ITU-T G.703
Dimensions	23 × 181 × 197mm (W × D × H)
Temperature	0°C ~ 50°C
Humidity	5 ~ 95%
MTFB	65,000 hrs

Tributary Card



iSAP-RS232

RS232 Sync/Asyn Card

Features

- Six independent channels
- N x 64 setting from any E1 channel
- Transparent asynchronous rates up to 115.2kbps
- Synchronous 64 or 128Kbps, DCE mode
- Diagnostic loop backs
- Hot swappable

Specifications

Datacom interfaces	ITU-T V.24 compliant Multiplexing Nx64K data onto E1 time-slot
Data speed	N × 64K (N=1 to 2)
Data access	RS-232, supplied with corresponding interface cable
Access mode	DCE
Diagnostics	Local / Remote / Bi-directional Loop
Dimensions	23 × 181 × 197mm (W × D × H)
Temperature	0°C ~ 50°C
Humidity	5 ~ 95%
MTFB	65,000 hrs



iSAP-Data

N x 64 Synchronous Serial Card

Features

- Four independent Synchronous channels
- N x 64 setting from any E1 channel
- Each channel operates in native DCE mode
- Diagnostic loop backs
- LED indicators for Power, Alarm, RD/TD activity
- Hot swappable

Specifications

Datacom interfaces	ITU-T and ANSI compliant Multiplexing Nx64K data onto E1 time-slot
Data speed	N × 64K (N=1 to 30, or 31)
Data access	RS-530, RS-449, V.35, X.21, supplied with corresponding interface cable
Access mode	DCE
Diagnostics	Local / Remote / Bi-directional Loop
Dimensions	23 × 181 × 197mm (W × D × H)
Temperature	0°C ~ 50°C
Humidity	5 ~ 95%
MTFB	65,000 hrs

Tributary Card



iSAP-ET100
Fast Ethernet Bridge Card

Features

- Four independent Ethernet over E1 channels
- Utilizes HDLC WAN encapsulation
- MAC Address learning table with 5 minute aging
- Auto-MDIX and Auto-Negotiation
- Hot swappable

Specifications

Standards	IEEE 802.3, IEEE 802.3u
Ports	4-port RJ45
Throughput latency	1 frame
MDI/MDIX	Auto
Buffer	4K bits
Encapsulation	HDLC
Data rate	10/100Base-TX
Packet side	64 ~ 1522 bytes
Dimensions	23 x 181 x 197mm (W x D x H)
Temperature	0°C ~ 50°C
Humidity	5 ~ 95%
MTFB	65,000 hrs



iSAP-E&M
E&M Voice Card

Features

- Eight independent channels
- 2/4 wire independent setting
- 1x 64 setting from any E1 channel
- E&M Signaling PBX trunks
- Provides E line, M line, SB (battery) and SG (ground) lines
- Supports types I, II, III, IV or V
- G.711 Codec
- LED indicators for Power, Alarm, activity
- Hot swappable

Specifications

Loop current	5~30 mA, maximum 70 mA
Return loss	300-600Hz >12dB (2W), 600-3400Hz >15dB (2W), 300-3400Hz >20dB (4W)
Group delay	@-10dBm0 <750uSec(2W) <600uSec(4W)
Total Distortion	according to ITU-T G.223
Channel crosstalk	< -65dB, 1020Hz@0dBm
Noise	< -65dBm0p weighted
Dimensions	23 x 181 x 197mm (W x D x H)
Temperature	0°C ~ 50°C
Humidity	5 ~ 95%
MTFB	65,000 hrs



iSAP-FXS
FXS Voice Card

Features

- Eight independent channels
- 2 wire independent setting
- G.711 Codec
- 1x 64 setting from any E1 channel
- Provides ring function
- Supports caller-ID forwarding
- PSTN extension or direct "Hot-line"
- Links telephone to telephone or extends POTS
- LED indicators for Power, Alarm, RD/TD activity
- Hot swappable

Specifications

Effective ring voltage	AC 75VRMS +/-15V@25Hz +/-3Hz, <10% THD
Ring voltage at 300mA load	>50VACRMS
Loop resistance	<1.8K Ohms, including 300 Ohms for telephone
On-hook current	10mA +/-3mA
Off-hook loop current	18-50mA
Channel crosstalk	< -65dB, 1020Hz@0dBm
Noise	< -65dBm0p weighted
Surge protection	1000V, 10uSec transient response, decay to 50% in 700uSec 300VRMS for less than 200mSec; no component damage 220VRMS for 15 minutes; damage only local loop
Dimensions	23 x 181 x 197mm (W x D x H)
Temperature	0°C ~ 50°C
Humidity	5 ~ 95%
MTFB	65,000 hrs



iSAP-FXO
FXO Voice Card

Features

- Eight independent channels
- 2 wire independent setting
- G.711 Codec
- 1x 64 setting from any E1 channel
- PCM30 R2 Signaling PSTN trunks
- Links PBX to PBX or extends POTS
- LED indicators for Power, Alarm, activity
- Hot swappable

Specifications

On-hook DC resistance	> 100K Ohms
Ring AC resistance	> 7.5K Ohms
Ring power sensitivity	< 50mW
Off-hook DC resistance	< 300 Ohms
Max. Input Voltage	70VDC
Max. Input Current	150mA
Channel crosstalk	< -65dB, 1020Hz@0dBm
Noise	< -65dBm0p weighted
Return loss	300-600Hz >12dB (2W) 600-3400Hz >15dB (2W) 300-3400Hz >20dB (4W)
Dimensions	23 x 181 x 197mm (W x D x H)
Temperature	0°C ~ 50°C
Humidity	5 ~ 95%
MTFB	65,000 hrs