

Low Voltage Fuses

European NH Knife Blade Fuse System



SIBA LV fuse links incorporate a dual indicator for visual blown fuse are available in a large variety of voltage ratings, body sizes and operating classes.

Sizes;	000, 00, 0, 1, 2, 3, 4, and 4a
Voltage Ratings;	400V _{AC} , 500V _{AC} /220V _{DC} /440V _{DC} 690V _{AC} , 1000V _{AC} , 1500V _{AC}
Operation Class;	<p>gG - Full range breaking capacity for general applications.</p> <p>gB - Full range breaking capacity for mining applications.</p> <p>aM - Partial range breaking capacity for motor circuit protection.</p> <p>gTr - Full range breaking capacity for transformer protection.</p> <p>gTF - Full range breaking capacity for general applications.</p>
Standards;	IEC 60269-1 & 2, EN 60269-1 & 2 VDEN0636 PART 1 & 2 VDE 0636 part 2011 DIN 43620

Features and Benefits

- ▶ High interrupt current rating to 120KA
- ▶ Low power loss and low temperature rise
- ▶ All fuse links contacts are corrosion resistant
- ▶ Gripping lugs: metal/live for standard application, metal/insulated for improved safety

Low Voltage Fuses

European NH Knife Blade Fuse System

General

User's demand for maximum service reliability in low voltage networks coupled with effective and economic operation places considerable requirements on the quality of protective gear used in the electrical networks. SIBA's continuous advances in development and quality of their LV fuse links are preferred for use in feeder line protection. When SIBA LV fuse links are suitably selected to match the line characteristics, they provide the maximum protection against all faults that are generally encountered. The fuse current rating range is capable of protecting small over currents up to its rated breaking current.

Design

SIBA fuse links are built to the highest standards, this is met by utilizing the highest quality materials, the most highly automated construction techniques and a work force that has an ongoing training program for maintaining and improving the quality of its products. The fuse link is constructed of, the main body is a high quality ceramic, the fuse elements are directly spot welded to the contacts of the knife blades. For most fuse links, a dual indicating system is incorporated, the standard flap type that is on the faceplate and the other that is on the top and center of the ceramic body for a more direct viewing.

Technical Data and Explanations

Current Limiting

The thermal and dynamical capacity of electrical switchgear components are determined by the peak value of the prospective short circuit current I_s . The magnitude of this peak short circuit current I_s is a value that is dependent on the rms value of prospective short circuit current I_p and the phase angle of fault occurrence that induces a DC offset. Do to current limiting, high short circuit fault currents do not rise up to their peak capability, when SIBA LV fuse links of the corresponding rated current are utilized

The current limiting diagram shows the function of the prospective short circuit current I_s depending on the prospective current I_p (sym.r.m.s.). The coherence between the prospective current I_p (sym.r.m.s.) and the efficiency of current limitation (cut off current I_D) by SIBA LV fuse links is given by the more flat running lines for the various fuse rated currents.

Time-Current Characteristics

The time-current characteristics for LV fuse links type gG are re-presented as "medium characteristics curves", these are within the cutoff range stipulated by VDE 0636-2. Maximum deviation in the current coordinates is $\pm 7\%$.

Fuse Discrimination

The discrimination between two fuse links of different current ratings can only be determined when considering the service voltage. The distance of discrimination in radially operated systems of 1:1.6, referred to the fuse link rated current, as well as the use of fuse links of the same rated current in meshed networks is only applicable at service voltages $1.1 \times U_n / \sqrt{3}$.

SIBA LLC

Low Voltage Fuses

European NH Knife Blade Fuse System

Characteristic Stability

SIBA LV fuse links are extremely resistant to aging. Long term overload tests according to VDE 0636 have proven that the cyclic load specified for such a test, applied for a period of 100 hours at a test current being equal to 1.15 times fuse rated current has been passed successfully without aging.

Arc Voltage

The arc voltage is considerably below the values specified by VDE 0636-2.

Class aM Fuse Links

SIBA's class aM LV fuse links are designed for the protection of switchgear in motor feeder applications. The special design of the melting element(s) provides reliable service in the limited range of the switchgear.

In the range above 4 times the fuse links rated current, SIBA LV aM class of fuse links provides protection of the thermal overcurrent relays and for short circuit current faults prevents contactor points from welding due to the extremely fast clearing time. The high breaking current rating capability of the aM fuse link required by such operation is safely achieved by through low cut off currents.

Class gTr Fuse Links

SIBA's class gTr LV fuse links are designed with a specific T-C curve adapted to the load characteristics of the transformer. Therefore a better utilization of the transformers overload capacity is achieved. SIBA gTR transformer fuse links are capable of carrying 1.3 times the rated current of the transformer as a continuous load for a minimum of 10 hours. At 1.5 times the transformers rated current as a continuous load the fuse operates within 2 hours. Characteristics per VDE 0636/2011.

Class gB Fuse Links

SIBA's class gB LV fuse links were developed to provide protection for underground installations of the mining industry, taking into consideration particularly the operating conditions for safety. Characteristics per VDE 0636/2011.

Class gG Fuse Links

SIBA's class gG LV fuse links with operating class gG are designed to protect cables and wires. The operating class gG corresponds with VDE 0636 part 2 and IEC 60269-2. The particular shape and design of the elements assure low power loss.

Low Voltage Fuses

European NH Knife Blade Fuse System

Article	Description	Selection Guide	Technical Data
gG/gL - 500V_{AC} - IEC - Live Metal Gripping Lugs			
2000013	NH000 & NH00	w/ Combi-Indicator	527 - 528 & 534
2000113	NH00		
2000213	NH0		
2000313	NH1	w/ Combi-Indicator	
2000413	NH2		
2000513	NH3		
2012013	NH4a	w/ Top Indicator	
2000613	NH4		
gG/gL - 500V_{AC} - IEC - ISOMET - Metal Insulated Gripping Lugs			
2043813	NH000	w/ Combi-Indicator	537 - 528 & 534
2043913	NH00		
2044113	NH1		
2044213	NH2	w/ Combi-Indicator	
2044313	NH3		
gG/gL - 690V_{AC} - IEC - Live Metal Gripping Lugs			
2047713	NH000	w/ Combi-Indicator	532 - 534
2020913	NH00		
2021113	NH1		
2021213	NH2	w/ Combi-Indicator	
2021313	NH3		
2022713	NH4a		
2022513	NH4	w/ Top Indicator	
gG/gL - 690V_{AC} - IEC - ISOMET - Metal Insulated Gripping Lugs			
2045213	NH000	w/ Combi-Indicator	532 - 534
2045313	NH00		
2045513	NH1		
2045613	NH2		
2045913	NH3		
gB - 1000V_{AC} - Live Metal Gripping Lugs			
2038603	NH00C	w/ Top Indicator	536 - 537
2038903	NH00		
aM - 690V_{AC} - IEC - Live Metal Gripping Lugs			
2047708	NH000	w/ Combi-Indicator	540 - 542
2020908	NH00		
2021008	NH0		
2021108	NH1		
2021208	NH2		
2021308	NH3	w/ Combi-Indicator	
2022708	NH4a		
2022508	NH4		
aM - 1000V_{AC} - IEC - Live Metal Gripping Lugs			
2038608	NH00C	w/ Top Indicator	544 - 545
2038908	NH00		

SIBA LLC

 29 Fairfield Place
 West Caldwell, New Jersey 07006

 Phone 1-973-575-7422
 Fax 1-973-575-5858

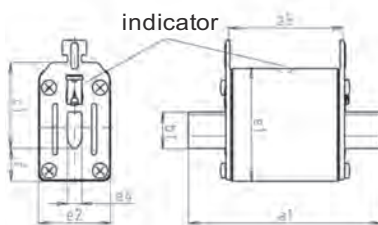
 e-mail: info@sibafuse.com
 www.siba-fuses.us

Low Voltage Fuses

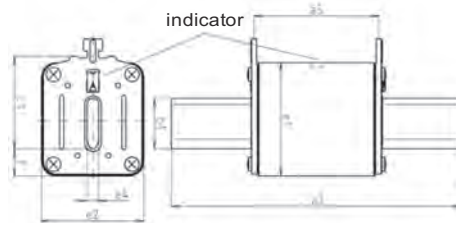
European NH Knife Blade Fuse System

Article	Description	Selection Guide	Technical Data
gTr - 400V_{AC} - IEC - Live Metal Gripping Lugs			
2000415	NH2	w/ Combi-Indicator	546
2000515	NH3		
2012015	NH4a	w/ Top Indicator	
2017415	NH4n		
gTF- 1500V_{AC} - IEC - Live Metal Gripping Lugs			
2024602	NH3	w/ Top Indicator	549
Accessories			
Microswitch			
2800202	Microswitch		551
Knife Links 690V_{AC} DIN 43620			
Live Metal Gripping Lugs			
2400102	NH00		551
2400202	NH0		
2400302	NH1		
2400402	NH2		
2400502	NH3		
2400607	NH4a		
2400602	NH4		
Fuse Bases DIN 43620			
2100101	NH000/00, 1-Pole	690V _{AC} , 160A	552
2100103	NH000/00, 3-Pole		
2500101	External Wall		
2100204	NH0, 1-Pole	690V _{AC} , 160A	553
2100301	NH1, 1-Pole	690V _{AC} , 250A	554
2100303	NH1, 3-Pole		
2100301.26	Contact Cover		
2100303.30	Partition Wall		
2100401	NH2	690V _{AC} , 400A	555
2100403	NH2, 3-Pole		
2100401.26	Contact Cover		
2500101	External Wall	690V _{AC} , 630A	556
2100501	NH3, 1-Pole		
2103101	NH3, 1-Pole		
2100405.26	Contact Cover	1 500V _{AC} , 630A	
2500501	External Wall		
2112002	NH4a, 1-Pole	690V _{AC} , 1600A	557
2100601	NH4, 1-Pole	690V _{AC} , 1250A - Screw Contacts	
2100605	NH4, 1-Pole	690V _{AC} , 1600A - Screw Contacts	
2138601	NH000, 1-Pole	1 000V _{AC} , 100A	558
2138901	NH00	1 000V _{AC} , 160A	
Grip Handle - Fuse Insertion-Removal Tool			
2200102	NH00 -3, 690V _{AC}	Standard	559
2200105		w/Leather Sleeve	
2212001	NH4a & NH4, 690V _{AC}	w/Leather Sleeve	
2203101	NH3, 1600V _{AC}	Standard	
2203102	NH1 - NH3, 1600V _{AC}	w/Leather Sleeve	

NH	Rated Voltage [Un]		Rated Breaking Test Capacity		Class	Standard(s)
	500V _{AC}		120kA		gG/gL	IEC 60269-2-1
Size NH000, 00, 0 & 1	220V _{DC} /440V _{DC}		25kA		VDE 0636 Teil 2	
			Live Metal		Gripping Lugs	
Rated Current I _n [A]	Size 000 w/Combi - Indicator 500Vac/220Vdc Article Number	Size 00 w/Combi - Indicator 500Vac/220Vdc Article Number	Size 0 w/Combi - Indicator 500Vac/440Vdc Article Number	Size 1 w/Combi - Indicator 500Vac/440Vdc Article Number	Size 1 w/Combi - Indicator 500Vac/440Vdc Article Number	
6	2000013.6	—	—	—	—	
10	2000013.10	—	—	—	—	
16	2000013.16	—	—	2000313.16	—	
20	2000013.20	—	2000213.20	2000313.20	—	
25	2000013.25	—	2000213.25	2000313.25	—	
32	2000013.32	—	2000213.32	2000313.32	—	
35	2000013.35	—	2000213.35	2000313.35	—	
40	2000013.40	—	2000213.40	2000313.40	—	
50	2000013.50	—	2000213.50	2000313.50	—	
63	2000013.63	—	2000213.63	2000313.63	—	
80	2000013.80	—	2000213.80	2000313.80	—	
100	2000013.100	—	2000213.100	2000313.100	—	
125	—	2000113.125	2000213.125	2000313.125	—	
160	—	2000113.160	2000213.160	2000313.160	—	
200	—	—	—	—	2000313.200	
224	—	—	—	—	2000313.224	
250	—	—	—	—	2000313.250	
Weight [kg per 1]						
	0.11	0.154	0.23	0.28	0.44	
Units per Package						
	10	10	3	3	3	
Dimensions [in / mm]						
a ₁	3.07 / 78	3.07 / 78	4.92 / 125	5.30 / 135	5.30 / 135	
a ₅	1.85 / 47	1.85 / 47	2.56 / 65	2.56 / 65	2.56 / 65	
b ₁	0.60 / 15	0.60 / 15	0.60 / 15	0.79 / 20	0.79 / 20	
c ₁	1.38 / 35	1.38 / 35	1.38 / 35	1.57 / 40	1.57 / 40	
e ₁	1.60 / 40.5	1.80 / 46	1.80 / 46	1.80 / 46	2.03 / 51.5	
e ₂	0.81 / 20.5	1.16 / 29.5	1.16 / 29.5	1.16 / 29.5	1.65 / 42	
e ₄	0.24 / 6	0.24 / 6	.24 / 60	0.24 / 6	.24 / 60	
f	0.28 / 7	0.50 / 13	0.50 / 13	0.30 / 8	0.55 / 14	



NH000 - NH0



NH1

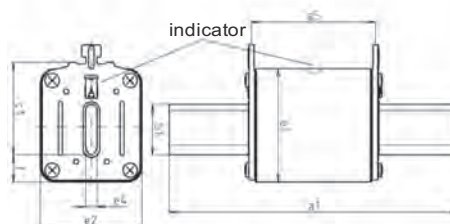
SIBA LLC

Phone 1-973-575-7422
Fax 1-973-575-5858

29 Fairfield Place
West Caldwell, New Jersey 07006

e-mail: info@sibafuse.com
www.siba-fuses.us

NH		Rated Voltage [Un]		Rated Breaking Test Capacity		Class gG/gL		Standard(s)		
Size NH2 & 3		500V _{AC}		120kA		gG/gL		IEC 60269-2-1		
		220V _{DC} /440V _{DC}		25kA		Live Metal		Gripping Lugs		
Rated Current I _n [A]	Size 2 w/Combi - Indicator 500Vac/440Vdc Article Number	Size 2 w/Combi - Indicator 500Vac/440Vdc Article Number	Size 2 w/Combi - Indicator 500Vac/440Vdc Article Number	Size 3 w/Combi - Indicator 500Vac/400Vdc Article Number	Size 3 w/Combi - Indicator 500Vac/400Vdc Article Number					
35	2000413.35	—	—	—	—					
40	2000413.40	—	—	—	—					
50	2000413.50	—	—	—	—					
63	2000413.63	—	—	—	—					
80	2000413.80	—	—	—	—					
100	2000413.100	—	—	—	2000513.100					
125	2000413.125	—	—	—	2000513.125					
160	2000413.160	—	—	—	2000513.160					
200	—	2000413.200	—	—	2000513.200					
224	—	2000413.224	—	—	2000513.224					
250	—	2000413.250	—	—	2000513.250					
315	—	—	2000413.315	2000513.315	—					
355	—	—	2000413.355	2000513.355	—					
400	—	—	2000413.400	2000513.400	—					
500	—	—	—	—	2000513.500					
630	—	—	—	—	2000513.630					
		Weight [kg per 1]								
		0.28	0.48	0.65	0.65	0.88				
		Units per Package								
		3								
		Dimensions [in / mm]								
a ₁	5.90 / 135	5.90 / 150	5.90 / 150	5.90 / 150	5.90 / 150	5.90 / 150				
a ₅	2.56 / 65	2.56 / 65	2.56 / 65	2.56 / 65	2.56 / 65	2.56 / 65				
b ₁	0.79 / 20	0.79 / 20	0.79 / 20	0.79 / 20	1.02 / 26	1.26 / 32				
c ₁	1.90 / 48	1.90 / 48	1.90 / 48	1.90 / 48	2.36 / 60	2.36 / 60				
e ₁	1.80 / 46	2.03 / 51.5	2.32 / 59	2.32 / 59	2.32 / 59	2.90 / 73.5				
e ₂	1.16 / 29.5	1.65 / 42	2.10 / 53	2.10 / 53	2.10 / 53	2.56 / 65				
e ₄	0.24 / 6	0.24 / 6	0.24 / 6	0.24 / 6	0.24 / 6	0.24 / 6				
f	0.22 / 5.5	0.55 / 14	0.55 / 14	0.55 / 14	0.55 / 14	0.67 / 17				



NH2 and NH3

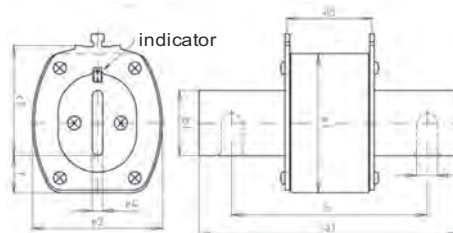
SIBA LLC

29 Fairfield Place
West Caldwell, New Jersey 07006

Phone 1-973-575-7422
Fax 1-973-575-5858

e-mail: info@sibafuse.com
www.siba-fuses.us

NH		Rated Voltage [Un]	Rated Breaking Test Capacity	Class	Standard(s)
		500V _{AC}	120kA	gG/gL	IEC 60269-2-1
Size NH4a & 4		220V _{DC} /440V _{DC}	25kA	Live Metal	Gripping Lugs VDE 0636 Teil 2
Rated Current I _n [A]	Size 4a Top Indicator 500Vac Article Number	Size 4 Top Indicator 500Vac Article Number			
250	—	2000613.250			
315	—	2000613.315			
355	—	2000613.355			
400	2012013.400	2000613.400			
500	2012013.500	2000613.500			
630	2012013.630	2000613.630			
800	2012013.800	2000613.800			
1 000	2012013.1000	2000613.1000			
1 250	2012013.1250	2000613.1250			
1 500	2012013.1500	—			
1 600	2012013.1600	—			
		Weight (kg per 1)			
		3.2	3.2		
		Units per Package			
		1			
Dimensions [in / mm]					
a ₁	7.87 / 200	7.87 / 200			
a ₅	3.42 / 87	2.56 / 65			
b ₁	1.97 / 50	1.97 / 50			
c ₁	3.35 / 85	3.35 / 85			
e ₁	4.25 / 108	4.25 / 108			
e ₂	3.94 / 100	3.94 / 100			
e ₄	0.24 / 6	0.30 / 8			
f	1.10 / 28	1.10 / 28			
h		5.90 / 150			
i		0.63 / 16			



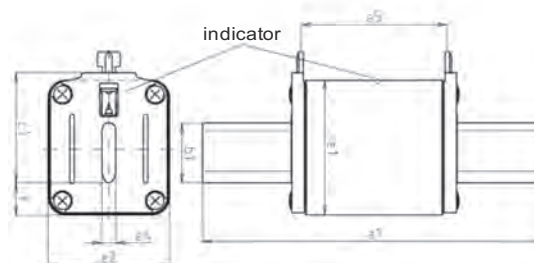
NH4a and NH4

SIBA LLC

29 Fairfield Place
West Caldwell, New Jersey 07006

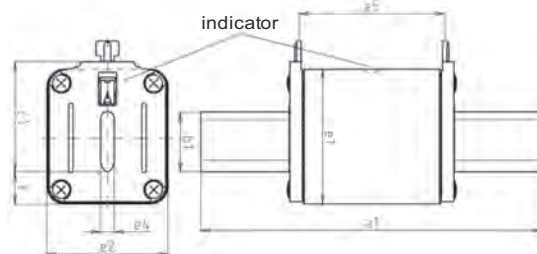
e-mail: info@sibafuse.com
www.siba-fuses.us

NH		Rated Voltage [Un] 500V _{AC} 220V _{DC} /440V _{DC}	Rated Breaking Test Capacity 120kA 25kA	Rated Breaking Test Voltage ISOMET- Insulated	Class gG/gL	Standard(s) IEC 60269-2-1 VDE 0636 Teil 2 Metal Gripping Lugs	
Rated Current I _n [A]	Size 000 w/Combi - Indicator 500Vac Article Number	Size 00 w/Combi - Indicator 500Vac/220Vdc Article Number	Size 1 Top Indicator 500Vac/440Vdc Article Number	Size 1 Top Indicator 500Vac/440Vdc Article Number			
6	2043813.6	—	—	—			
10	2043813.10	—	—	—			
16	2043813.16	—	2044113.16	—			
20	2043813.20	—	2044113.20	—			
25	2043813.25	—	2044113.25	—			
32	2043813.32	—	2044113.32	—			
35	2043813.35	—	2044113.35	—			
40	2043813.40	—	2044113.40	—			
50	2043813.50	—	2044113.50	—			
63	2043813.63	—	2044113.63	—			
80	2043813.80	—	2044113.80	—			
100	2043813.100	—	2044113.100	—			
125	—	2043913.125	2044113.125	—			
160	—	2043913.160	2044113.160	—			
200	—	—	—	2044113.200			
224	—	—	—	2044113.224			
250	—	—	—	2044113.250			
		Weight [kg per 1]					
	0.11	0.154	0.28	0.44			
		Units per Package					
	10		3				
		Dimensions [in / mm]					
a ₁	3.07 / 78	3.07 / 78	5.30 / 135	5.30 / 135			
a ₅	1.85 / 47	1.85 / 47	2.56 / 65	2.56 / 65			
b ₁	0.60 / 15	0.60 / 15	0.79 / 20	0.79 / 20			
c ₁	1.38 / 35	1.38 / 35	1.57 / 40	1.57 / 40			
e ₁	1.60 / 40.5	1.80 / 46	1.80 / 46	2.03 / 51.5			
e ₂	0.81 / 20.5	1.16 / 29.5	1.16 / 29.5	1.65 / 42			
e ₄	0.24 / 6	0.24 / 6	0.24 / 6	0.24 / 6			
f	0.28 / 7	0.50 / 13	0.30 / 8	0.55 / 14			



NH000 , NH00 and NH1

NH		Rated Voltage [Un] 500V _{AC} 220V _{DC} /440V _{DC}	Rated Breaking Test Capacity 120kA 25kA	Class gG/gL	Standard(s) IEC 60269-2-1 VDE 0636 Teil 2
Size NH2, & 3		ISOMET- Insulated Metal		Gripping Lugs	
Rated Current I _n [A]	Size 2 w/Combi - Indicator 500Vac/440Vdc Article Number	Size 2 w/Combi - Indicator 500Vac/440Vdc Article Number	Size 2 w/Combi - Indicator 500Vac/440Vdc Article Number	Size 3 w/Combi - Indicator 500Vac/400Vdc Article Number	
35	2044213.35	—	—	—	
40	2044213.40	—	—	—	
50	2044213.50	—	—	—	
63	2044213.63	—	—	—	
80	2044213.80	—	—	—	
100	2044213.100	—	—	—	
125	2044213.125	—	—	—	
160	2044213.160	—	—	—	
200	—	2044213.200	—	—	
224	—	2044213.224	—	—	
250	—	2044213.250	—	—	
300	—	—	2044213.300	—	
315	—	—	2044213.315	—	
355	—	—	2044213.355	—	
400	—	—	2044213.400	—	
425	—	—	—	2044313.325	
500	—	—	—	2044313.500	
630	—	—	—	2044313.630	
		Weight [kg per 1]			
		0.28	0.48	0.65	0.97
		Units per Package			
		3			
		Dimensions [in / mm]			
a ₁	5.90 / 150	5.90 / 150	5.90 / 150	5.90 / 150	
a ₅	2.56 / 65	2.56 / 65	2.56 / 65	2.56 / 65	
b ₁	0.79 / 20	0.79 / 20	0.79 / 20	1.26 / 32	
c ₁	1.90 / 48	1.90 / 48	1.90 / 48	2.36 / 60	
e ₁	1.80 / 46	2.03 / 51.5	2.32 / 59	2.90 / 73.5	
e ₂	1.16 / 29.5	1.65 / 42	2.10 / 53	2.56 / 65	
e ₄	0.24 / 6	0.24 / 6	0.24 / 6	0.24 / 6	
f	0.22 / 5.5	0.55 / 14	0.55 / 14	0.67 / 17	



NH2 and NH3

SIBA LLC

29 Fairfield Place
West Caldwell, New Jersey 07006

e-mail: info@sibafuse.com
www.siba-fuses.us

NH		Rated Voltage [Un]	Rated Breaking Test Capacity	Test Voltage	Class gG/gL	Standard(s) IEC 60269-2-1 VDE 0636 Teil 2
Size NH000, 00, 0, 1 2, 3, 4a & 4		500V _{AC} 220V _{DC} /440V _{DC}	120kA 25kA			
Rated Current I _n [A]	Pre-arcing I ² t t _s ≈ 4ms [A ² s]	Total I ² t @ 254Vac [A ² s]	Total I ² t @ 440Vac [A ² s]			
6	36	75	130			
10	230	320	560			
16	420	490	810			
20	760	910	1 480			
25	1 440	1 780	2 890			
32	2 600	3 360	5 630			
35	3 100	4 770	7 610			
40	4 700	6 750	11 300			
50	5 900	8 340	13 600			
63	10 300	16 200	26 400			
80	17 300	27 200	45 500			
100	28 900	45 500	88 600			
125	44 400	78 600	127 500			
160	78 500	139 600	226 600			
200	157 600	248 200	390 900			
224	194 800	297 600	483 400			
250	240 900	368 000	616 000			
315	513 000	716 000	1 164 000			
355	616 000	859 000	1 483 000			
400	859 000	1 236 000	2 008 000			
500	1 130 000	1 670 000	2 800 000			
630	1 950 000	2 980 000	4 840 000			
800	3 700 000	5 450 000	8 900 000			
1 000	5 800 000	8 900 000	14 400 000			
1 250	11 000 000	16 200 000	27 200 000			
1 600	14 000 000	20 700 000	33 600 000			

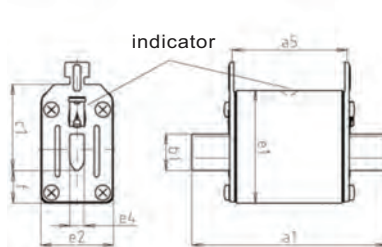
Accessories						
Size 000/00	Size 0	Size 1	Size 2	Size 3	Size 4a	Size 4
Fuse Bases - 1 Pole						
2100101	2100204	2100301	2100401	2100501	2112002	2100601
552	553	554	555	55i	557	2100605 557
Fuse Bases - 3 Pole						
2100103		2100303	2100403			
552		554	555			
Microswitch						
2800202 (Red Hammer)						
551						
Grip Handle, Insertion/Removal Tool						
2200102 - Standard, 2200105 - w/Leather Sleeve					2212001 - w/Leather Sleeve	
559						



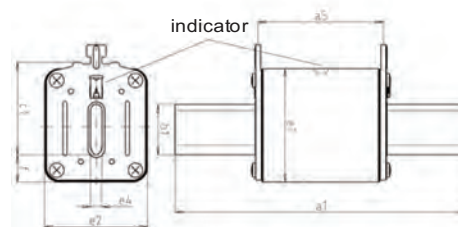
N	Rated Voltage [Un]	Rated Breaking Capacity	Test Voltage	Class gG/gL	Standard(s)
Size NH000, 00, 0, 1	500V _{AC}	120kA			IEC 60269-2-1
2, 3, 4a & 4	220V _{DC} /440V _{DC}	25kA			VDE 0636 Teil 2

Rated Current I _n [A]	Power Loss [W]					
	NH000 / NH00	NH0	NH1	NH2	NH3	NH4 / NH4a
2	—	—	—	—	—	—
4	—	—	—	—	—	—
6	1.4	—	1.6	—	—	—
10	1.2	—	1.3	—	—	—
16	1.6	—	2.0	1.9	—	—
20	1.8	2.7	2.3	2.2	—	—
25	2.3	3.1	2.8	2.6	—	—
32	3.1	3.5	3.5	3.5	—	—
35	3.8	3.9	4.1	3.9	3.9	—
40	4.0	4.3	4.1	4.3	4.3	—
50	4.0	5.1	5.3	5.1	5.1	—
63	4.5	5.8	6.0	5.8	5.8	—
80	5.4	6.5	6.9	6.5	6.5	—
100	6.5	7.8	8.0	7.8	7.8	—
125	8.2	10.0	10.3	10.0	10.0	—
160	11.2	12.8	13.5	12.8	12.8	—
200	—	—	15.0	15.0	15.5	—
224	—	—	16.2	16.2	16.4	—
250	—	—	17.9	17.9	8.01	18 / —
315	—	—	—	21.5	21.5	22 / —
355	—	—	—	23.7	23.7	24 / —
400	—	—	—	29.5	29.5	26 / 34
500	—	—	—	—	38.0	38 / 41
630	—	—	—	—	46.0	49 / 49
800	—	—	—	—	—	66 / 70
1 000	—	—	—	—	—	78 / 83
1 250	—	—	—	—	—	95 / 104
1 600	—	—	—	—	—	— / 138

NH		Rated Voltage [Un]		Rated Breaking Test Capacity		Class	Standard(s)
Size NH000, 00, 0, 1 & 2		690V _{AC} 220V _{DC} /440V _{DC}		120kA 25kA		gG/gL	IEC 60269-2-1 VDE 0636 Teil 2
				Live Metal		Gripping Lugs	
Rated Current I _n [A]	Size 000 w/Combi - Indicator 690Vac/220Vdc Article Number	Size 00 w/Combi - Indicator 690Vac/220Vdc Article Number	Size 0 w/Combi - Indicator 690Vac/440Vdc Article Number	Size 1 w/Combi - Indicator 690Vac/440Vdc Article Number	Size 2 w/Combi - Indicator 690Vac/440Vdc Article Number	Size 2 w/Combi - Indicator 690Vac/440Vdc Article Number	
6	2047713.6	—	2021013.6	—	—	—	
10	2047713.10	—	2021013.10	—	—	—	
16	2047713.16	—	2021013.16	2021113.16	—	—	
20	2047713.20	—	2021013.20	2021113.20	—	—	
25	2047713.25	—	2021013.25	2021113.25	—	—	
32	2047713.32	—	2021013.32	2021113.32	—	—	
35	2047713.35	—	2021013.35	2021113.35	2021213.35	—	
40	2047713.40	—	2021013.40	2021113.40	2021213.40	—	
50	2047713.50	—	2021013.50	2021113.50	2021213.50	—	
63	—	2020913.63	2021013.63	2021113.63	2021213.63	—	
80	—	2020913.80	2021013.80	2021113.80	2021213.80	—	
100	—	2020913.100	2021013.100	2021113.100	2021213.100	—	
125	—	2020913.125	2021013.125	2021113.125	2021213.125	—	
160	—	—	—	2021113.160	2021213.160	—	
200	—	—	—	2021113.200	2021213.200	—	
224	—	—	—	2021113.224	—	2021213.224	
250	—	—	—	2021113.250	—	2021234.250	
315	—	—	—	—	—	2021213.315	
355	—	—	—	—	—	2021213.355	
400	—	—	—	—	—	2021213.400	
Weight [kg per 1]							
	0.11	0.154		0.44	0.48	0.65	
Units per Package							
3							
Dimensions [in / mm]							
a ₁	3.07 / 78	3.07 / 78	4.92 / 125	5.30 / 135	5.90 / 150	5.90 / 150	
a ₅	1.85 / 47	1.85 / 47	2.56 / 65	2.56 / 65	2.56 / 65	2.56 / 65	
b ₁	0.60 / 15	0.60 / 15	0.60 / 15	0.79 / 20	0.79 / 20	1.02 / 26	
c ₁	1.38 / 35	1.38 / 35	1.38 / 35	1.57 / 40	1.90 / 48	1.90 / 48	
e ₁	1.60 / 40.5	1.80 / 46	1.80 / 46	2.03 / 51.5	2.03 / 51.5	2.32 / 59	
e ₂	0.81 / 20.5	1.16 / 29.5	1.16 / 29.5	1.65 / 42	1.65 / 42	2.32 / 59	
e ₄	0.24 / 6	0.24 / 6	0.24 / 6	0.24 / 6	0.24 / 6	0.24 / 6	
f	0.28 / 7	0.50 / 13	0.50 / 13	0.55 / 14	0.55 / 14	0.55 / 14	



NH000 and NH00



NH1 and NH2

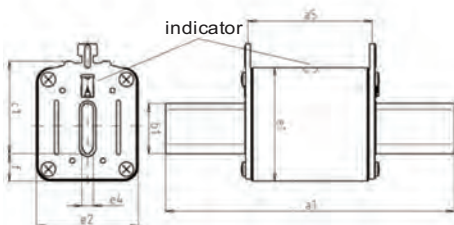
SIBA LLC

Phone 1-973-575-7422
Fax 1-973-575-5858

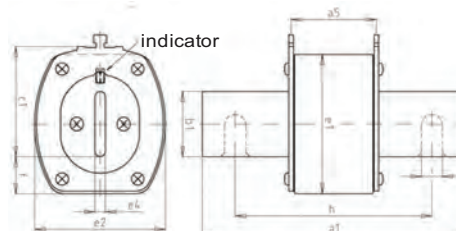
29 Fairfield Place
West Caldwell, New Jersey 07006

e-mail: info@sibafuse.com
www.siba-fuses.us

NH	Rated Voltage [Un]	Rated Breaking Test Capacity	Rated Breaking Test Voltage	Class gG/gL	Standard(s) IEC 60269-2-1 VDE 0636 Teil 2
Size NH3, 4a & 4	690V _{AC} 220V _{DC} /440V _{DC}	120kA 25kA			Live Metal Gripping Lugs
Rated Current I _n [A]	Size 3 w/Combi - Indicator 690Vac/400Vdc Article Number	Size 3 w/Combi - Indicator 690Vac/400Vdc Article Number	Size 3 w/Combi - Indicator 690Vac/400Vdc Article Number	Size 4a w/Top Indicator 690Vac Article Number	Size 4 w/Top Indicator 690Vac Article Number
125	—	—	—	—	—
160	—	—	—	—	—
200	—	—	—	—	—
224	—	—	—	—	—
250	—	—	—	—	—
315	—	—	2021313.315	—	—
355	—	—	2021313.355	—	—
400	—	—	2021313.400	—	2022513.400
425	—	—	—	—	—
500	—	—	2021313.500	2022713.500	2022513.500
630	—	—	2021313.630	2022713.630	2022513.630
800	—	—	—	2022713.800	2022513.800
Weight [kg per 1]					
			1.10	3.0	3.2
Units per Package					
			3	1	1
Dimensions [in / mm]					
a ₁			5.90 / 150	7.87 / 200	7.87 / 200
a ₅			2.56 / 65	3.42 / 87	2.56 / 65
b ₁			1.26 / 32	1.97 / 50	1.97 / 50
c ₁			2.36 / 60	3.35 / 85	3.35 / 85
e ₁			2.87 / 73	4.25 / 108	4.25 / 108
e ₂			2.56 / 65	3.94 / 100	3.94 / 100
e ₄			0.24 / 6	0.24 / 6	0.31 / 8
f			0.67 / 17	1.10 / 28	1.10 / 28
h					5.91 / 150
i					0.63 / 16

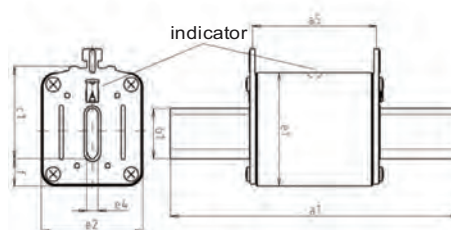


NH2 and NH3



NH4a and NH4

NH		Rated Voltage [Un]		Rated Breaking Test Capacity		Class	Standard(s)
Size NH000, 00, 1, 2 & 3		690V _{AC} 220V _{DC} /440V _{DC}		120kA 25kA		gG/gL	IEC 60269-2-1 VDE 0636 Teil 2
ISOMET- Insulated Metal Gripping Lugs							
Rated Current I _n [A]	Size 000 w/Combi - Indicator 690Vac Article Number	Size 00 w/Combi - Indicator 690Vac Article Number	Size 1 w/Combi - Indicator 690Vac Article Number	Size 2 w/Combi - Indicator 690Vac Article Number	Size 2 w/Combi - Indicator 690Vac Article Number	Size 3 w/Combi - Indicator 690Vac Article Number	
6	2045213.6	—	—	—	—	—	—
10	2045213.10	—	—	—	—	—	—
16	2045213.16	—	2045513.16	2045613.16	—	—	—
20	2045213.20	—	2045513.20	2045613.20	—	—	—
25	2045213.25	—	2045513.25	2045613.25	—	—	—
32	2045213.32	—	2045513.32	2045613.32	—	—	—
35	2045213.35	—	2045513.35	2045613.35	—	—	—
40	2045213.40	—	2045513.40	2045613.40	—	—	—
50	2045213.50	—	2045513.50	2045613.50	—	—	—
63	—	2045313.63	2045513.63	20456 3.63	—	—	—
80	—	2045313.80	2045513.80	2045613.80	—	—	—
100	—	2045313.100	2045513.100	2045613.100	—	—	—
125	—	2045313.125	2045513.125	2045613.125	—	—	—
160	—	—	2045513.160	2045613.160	—	—	—
200	—	—	2045513.200	2045613.200	—	—	—
224	—	—	2045513.224	2045613.224	—	—	—
250	—	—	2045513.250	2045613.250	—	—	—
315	—	—	—	—	2045613.315	2045913.315	—
355	—	—	—	—	2045613.355	2045913.355	—
400	—	—	—	—	2045613.400	2045913.400	—
Weight [kg per 1]							
	0.14	0.21	0.43	0.45	0.65	1.0	
Units per Package							
	10	10	3	3	3	3	
Dimensions [in / mm]							
a ₁	3.07 / 78	3.07 / 78	5.30 / 135	5.90 / 150	5.90 / 150	5.90 / 150	
a ₅	1.85 / 47	1.85 / 47	2.56 / 65	2.56 / 65	2.56 / 65	2.56 / 65	
b ₁	0.60 / 15	0.60 / 15	0.79 / 20	0.79 / 20	1.02 / 26	1.26 / 32	
c ₁	1.38 / 35	1.38 / 35	1.57 / 40	1.90 / 48	1.90 / 48	2.36 / 60	
e ₁	1.60 / 40.5	1.80 / 46	2.03 / 51.5	2.03 / 51.5	2.32 / 59	2.90 / 73.5	
e ₂	0.81 / 20.5	1.16 / 29.5	1.65 / 42	1.65 / 42	2.10 / 53	2.56 / 65	
e ₄	0.24 / 6	0.24 / 6	0.24 / 6	0.24 / 6	0.24 / 6	0.24 / 6	
f	0.28 / 7	0.50 / 13	0.55 / 14	0.55 / 14	0.55 / 14	0.67 / 17	



NH000, NH00, NH1, NH2 and NH3



NH	Rated Voltage [Un]	Rated Breaking Capacity	Test Voltage	Class gG/gL	Standard(s) IEC 60269-2-1 VDE 0636 Teil 2
Size NH000, 00, 0, 1 2, 3, 4a & 4	690V _{AC} 220V _{DC} /440V _{DC}	120kA 25kA			

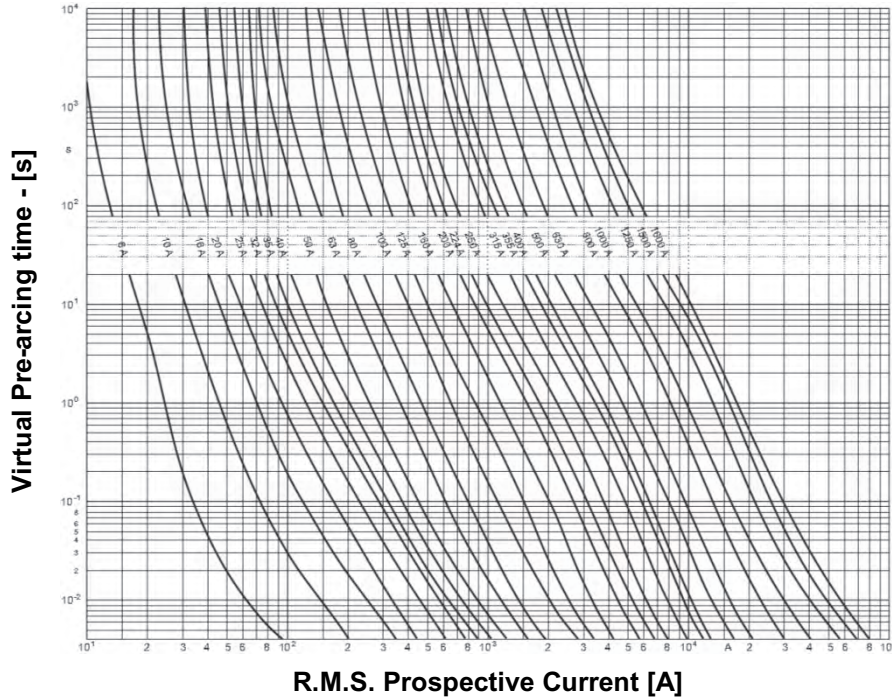
Rated Current I _n [A]	Pre-arcing i ² _t t _s a 4ms [A ² s]	Total i ² _t @ 254Vac [A ² s]	Total i ² _t @ 440Vac [A ² s]	Total i ² _t @ 500Vac [A ² s]	
6	36	75	130	150	
10	230	320	560	640	
16	420	490	810	920	
20	760	910	1 480	1 670	
25	1 440	1 780	2 890	3 270	
32	2 600	3 360	5 630	6 360	
35	3 100	4 770	7 610	8 600	
40	4 700	6 750	11 300	12 800	
50	5 900	8 340	13 600	15 300	
63	10 300	16 200	26 400	30 700	
80	17 300	27 200	45 500	51 400	
100	28 900	45 500	88 600	97 000	
125	44 400	78 600	127 500	157 600	
160	78 500	139 600	226 600	280 200	
200	157 600	248 200	390 900	483 400	
224	194 800	297 600	483 400	615 000	
250	240 800	368 000	616 000	761 000	
315	513 000	716 000	1 164 000	1 438 000	
355	616 000	859 000	1 483 000	1 725 000	
400	859 000	1 236 000	2 008 000	2 558 000	
500	1 130 000	1 670 000	2 800 000	3 360 000	
630	1 950 000	2 980 000	4 840 000	6 000 000	
800	3 700 000	5 450 000	8 900 000	11 300 000	

Accessories						
Size 000/00	Size 0	Size 1	Size 2	Size 3	Size 4a	Size 4
Fuse Bases - 1 Pole						
2100101	2100204	2100301	2100401	2100501	2112002	2100601
552	553	55t	555	55e	557	557
Fuse Bases - 3 Pole						
2100103		2100303	2100403			
552		554	555			
Microswitch						
2800202 (Red Hammer)						
551						
Grip Handle, Insertion/Removal Tool (545)						
2200102 - Standard, 2200105 - w/Leather Sleeve					22 2001 - w/Leather Sleeve	
559						

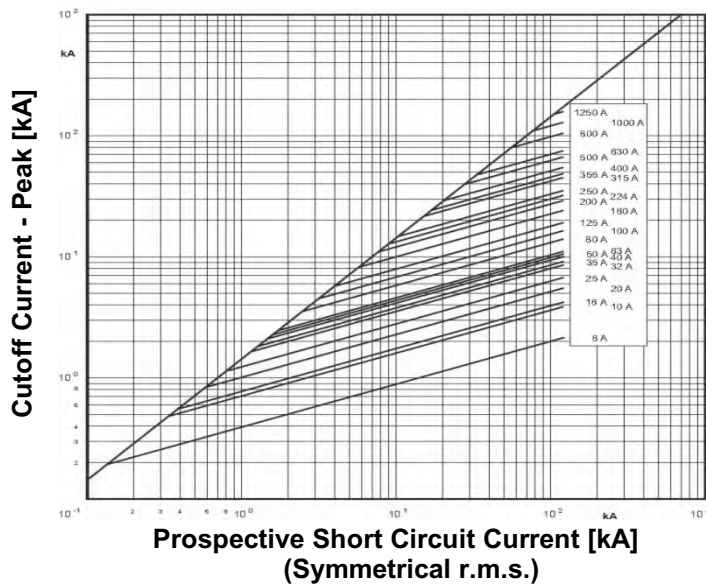
N Size NH000, 00, 0, 1 2, 3, 4a & 4	Rated Voltage [Un]		Rated Breaking Test Capacity		Class gG/gL	Standard(s) IEC 60269-2-1 VDE 0636 Teil 2
	690V _{AC}	220V _{DC} /440V _{DC}	120kA	25kA		
Rated Current I_n [A]	Power Loss [W]					
	NH000 / NH00	NH0	NH1	NH2	NH3	NH4/4a
6	1.1	—	1.2	—	—	—
10	1.3	—	1.4	—	—	—
16	1.9	2.1	2.0	—	—	—
20	2.4	2.6	2.4	—	—	—
25	2.8	3.0	2.8	2.8	—	—
32	3.6	3.7	3.8	3.8	—	—
35	4.0	4.2	4.2	4.2	—	—
40	4.4	5.0	4.7	4.7	—	—
50	5.0	5.6	5.5	5.5	—	—
63	5.6	6.5	6.3	6.3	—	—
80	6.3	7.6	7.3	7.3	—	—
100	8.1	8.9	8.6	8.6	—	—
125	10.5	11.4	11.0	11.0	—	—
160	—	—	14.0	14.0	—	—
200	—	—	16.5	16.5	—	—
224	—	—	17.9	18.1	—	—
250	—	—	20.1	20.2	—	—
315	—	—	—	24.1	24	—
355	—	—	—	28.6	29	—
400	—	—	—	—	32	32 / 36
500	—	—	—	—	42	42 / 44
630	—	—	—	—	51	51 / 56
800	—	—	—	—	—	65 / 70

NH	Rated Voltage [Un]	Rated Breaking Test Capacity	Class gG/gL	Standard(s) IEC 60269-2-1 VDE 0636 Teil 2
Size NH000, 00, 0, 1 2, 3, 4a & 4	690V _{AC} 220V _{DC} /440V _{DC}	120kA 25kA		

Time-Current Characteristics

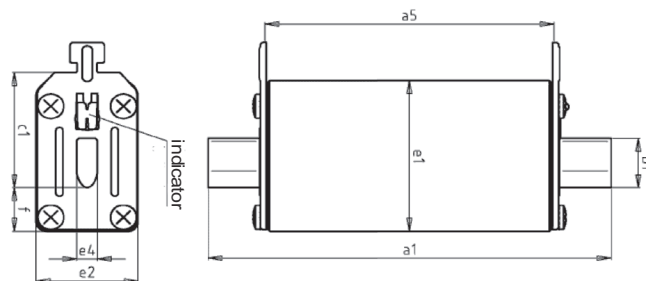


Cutoff Current Characteristics



NH	Rated Voltage [Un] 1000V _{AC}	Rated Breaking Test Capacity 25kA	Class gB	Standard(s) DIN 43620 Part 5 VDE 0636 Part 2011
Size NH00C & 00		Live Metal Gripping Lugs		

Rated Current I _n [A]	Size 00C w/Combi - Indicator Article Number	Size 00 w/Combi - Indicator Article Number	
6	2038603.6		
10	2038603.10		
16	2038603.16		
20	2038603.20		
25	2038603.25		
35	2038603.35		
50	2038603.50		
63	2038603.63		
80	2038603.80		
100	2038603.100		
125		2038903.125	
160		2038903.160	
	Weight [kg per 1]		
	0.20	0.28	
	Units per Package		
	3		
	Dimensions [in / mm]		
a₁	4.33 / 110	4.61 / 117	
a₅	3.07 / 78	3.35 / 85	
b₁	0.60 / 15	0.60 / 15	
c₁	1.38 / 35	1.38 / 35	
e₁	1.60 / 40.5	1.80 / 46	
e₂	0.80 / 20.5	1.16 / 29.5	
e₄	0.24 / 6	0.24 / 6	
f	0.28 / 7	0.53 / 13.5	



NH00C and NH00

SIBA LLC

29 Fairfield Place
West Caldwell, New Jersey 07006

Phone 1-973-575-7422
Fax 1-973-575-5858

e-mail: info@sibafuse.com
www.siba-fuses.us



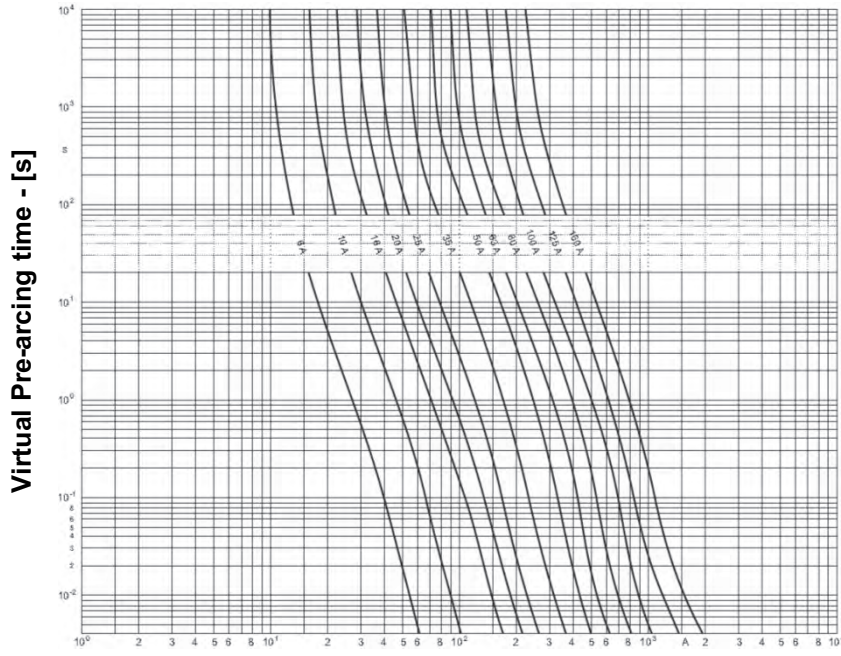
NH	Rated Voltage [Un] 1000V _{AC}	Rated Breaking Test Capacity 25kA	Class gB	Standard(s) DIN 43620 Part 5 VDE 0636 Part 2011
Size NH00C & 00		Live Metal Gripping Lugs		

Rated Current I _n [A]	Pre-arcing i ² t [A ² s]	Total I ² t @ 760Vac [A ² s]	Power Loss [W]	
6	6	18	1.0	
10	31	93	1.5	
16	83	250	2.4	
20	145	435	3.5	
25	210	630	5.0	
35	440	1 320	6.6	
50	870	2 610	8.8	
63	1 350	4 050	11.0	
80	2 300	6 900	14.4	
100	3 300	9 900	18.3	
125	4 700	14 100	22.5	
160	8 300	24 900	28.0	

Accessories						
NH00C	NH00					
Fuse Bases - 1 Pole						
2138601 NH42	2138901 NH42					
Microswitch						
2800202 (Red Hammer)						
551						
Grip Handle, Insertion/Removal Tool						
2200102 - Standard, 2200105 - w/Leather Sleeve					2212001 - w/Leather Sleeve	
559						

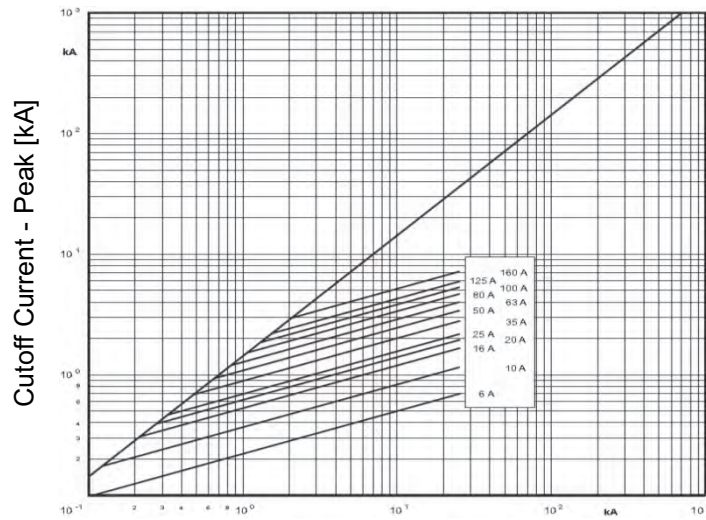
NH	Rated Voltage [Un] 1000V _{AC}	Rated Breaking Capacity 25kA	Rated Breaking Test Voltage 760V _{AC}	Class gB	Standard(s) DIN 43620 Part 5 VDE 0636 Part 2011
Size NH00C & 00					

Time-Current Characteristics



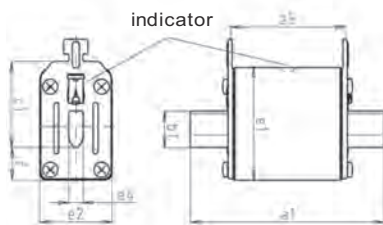
R.M.S. Prospective Current [A]

Cutoff Current Characteristics

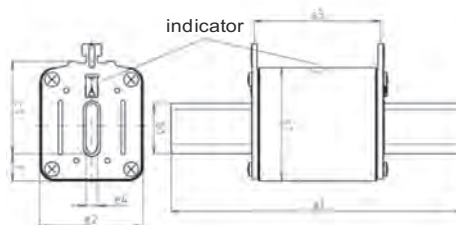


**Prospective Short Circuit Current [kA]
(Symmetrical r.m.s.)**

NH	Rated Voltage [Un] 690V _{AC}	Rated Breaking Test Capacity 120kA	Rated Breaking Test Voltage 500V _{AC}	Class aM	Standard(s) IEC 60269-1 VDE 0636 Part 2011	
Size NH000, 00, 0, 1 & 2						
Live Metal Gripping Lugs						
Rated Current I _n [A]	Size 000 w/Combi - Indicator Article Number	Size 00 w/Combi - Indicator Article Number	Size 0 w/Combi - Indicator Article Number	Size 1 w/Combi - Indicator Article Number	Size 2 w/Combi - Indicator Article Number	Size 2 w/Combi - Indicator Article Number
6	2047708.6	—	—	—	—	—
10	2047708.10	—	—	—	—	—
16	2047708.16	—	2021008.16	2021108.16	—	—
20	2047708.20	—	2021008.20	2021108.20	—	—
25	2047708.25	—	2021008.25	2021108.25	—	—
32	2047708.32	—	2021008.32	2021108.32	—	—
35	2047708.35	—	2021008.35	2021108.35	2021208.35	—
40	2047708.40	—	2021008.40	2021108.40	2021208.40	—
50	2047708.50	—	2021008.50	2021108.50	2021208.50	—
63	—	2020908.63	2021008.63	2021108.63	2021208.63	—
80	—	2020908.80	2021008.80	2021108.80	2021208.80	—
100	—	2020908.100	2021008.100	2021108.100	2021208.100	—
125	—	2020908.125	2021008.125	2021108.125	2021208.125	—
160	—	—	2021008.160	2021108.160	2021208.160	—
200	—	—	—	2021108.200	2021208.200	—
224	—	—	—	2021108.224	2021208.224	—
250	—	—	—	2021108.250	2021208.250	—
315	—	—	—	—	—	2021208.315
355	—	—	—	—	—	2021208.355
400	—	—	—	—	—	2021208.400
Weight [kg per 1]						
	0.13	0.24	0.28	0.41	0.48	0.86
Units per Package						
	3	3	3	3	3	3
Dimensions [in / mm]						
a ₁	3.07 / 78	3.07 / 78	4.92 / 125	5.30 / 135	5.90 / 150	5.90 / 150
a ₅	1.85 / 47	1.85 / 47	2.56 / 65	2.56 / 65	2.56 / 65	2.56 / 65
b ₁	0.60 / 15	0.60 / 15	0.60 / 15	0.79 / 20	0.79 / 20	1.02 / 26
c ₁	1.38 / 35	1.38 / 35	1.38 / 35	1.57 / 40	1.90 / 48	1.90 / 48
e ₁	1.60 / 40.5	1.80 / 46	1.80 / 46	2.03 / 51.5	2.03 / 51.5	2.32 / 59
e ₂	0.81 / 20.5	1.16 / 29.5	1.16 / 29.5	1.65 / 42	1.65 / 42	2.32 / 59
e ₄	0.24 / 6	0.24 / 6	0.24 / 6	0.24 / 6	0.24 / 6	0.24 / 6
f	0.28 / 7	0.50 / 13	0.50 / 13	0.55 / 14	0.55 / 14	0.55 / 14



NH000, NH00 and NH0



NH1 and NH2

SIBA LLC

Phone 1-973-575-7422
Fax 1-973-575-5858

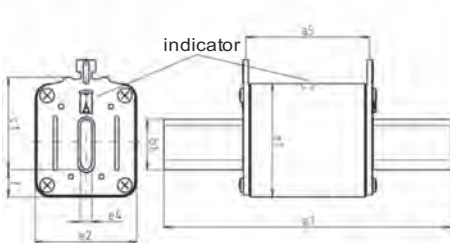
29 Fairfield Place
West Caldwell, New Jersey 07006

e-mail: info@sibafuse.com
www.siba-fuses.us

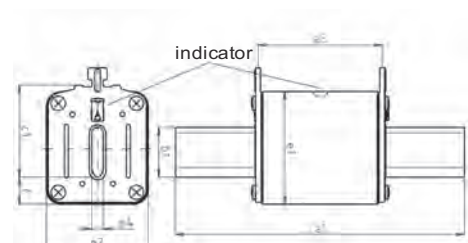
NH	Rated Voltage [Un] 690V _{AC}	Rated Breaking Test Capacity 120kA	Class aM	Standard(s) IEC 60269-1 VDE 0636 Part 2011
Size NH3, 4a & 4		Live Metal Gripping Lugs		

Rated Current I _n [A]	Size 3 w/Combi - Indicator Article Number	Size 3 w/Combi - Indicator Article Number	Size 3 w/Combi - Indicator Article Number	Size 4a w/Top Indicator Article Number	Size 4 w/Top Indicator Article Number
250	2021308.250	—	—	—	—
315	2021308.315	—	—	—	—
355	—	2021308.355	—	—	—
400	—	2021308.400	—	2022708.400	2022508.400
500	—	—	2021308.500	2022708.500	2022508.500
630	—	—	2021308.630	2022708.630	2022508.630
800	—	—	—	2022708.800	2022508.800
1 000	—	—	—	2022708.1000	2022508.1000
Weight [kg per 1]					
	0.86	.101	1.40	2.63	2.25
Units per Package					
	3	1	1	1	1

Dimensions [in / mm]					
a₁	5.90 / 150	5.90 / 150	5.90 / 150	7.87 / 200	7.87 / 200
a₅	2.56 / 65	2.56 / 65	2.56 / 65	3.42 / 87	2.56 / 65
b₁	1.02 / 26	1.26 / 32	1.26 / 32	1.97 / 50	1.97 / 50
c₁	2.36 / 60	2.36 / 60	2.36 / 60	3.35 / 85	3.35 / 85
e₁	2.32 / 59	2.87 / 73	2.87 / 73	4.25 / 108	4.25 / 108
e₂	2.10 / 53	2.87 / 73	2.87 / 73	3.94 / 100	3.94 / 100
e₄	0.24 / 6	.24 / 6	0.24 / 6	0.24 / 6	0.31 / 8
f	0.55 / 14	0.67 / 17	0.63 / 16	1.10 / 28	1.10 / 28
h					5.91 / 150
i					0.63 / 16



NH2 and NH3



NH4a and NH4



NH	Rated Voltage [Un]	Rated Breaking Test Capacity	Test Voltage	Class aM	Standard(s) IEC 60269-1 VDE 0636 Part 2011
Size NH000, 00, 0, 1 2, 3, 4a & 4	690V _{AC}	120kA	500V _{AC}		

Rated Current I _n [A]	Pre-arcing I ² t [A ² s]	Total I ² t @ 254Vac [A ² s]	Total I ² t @ 440Vac [A ² s]	Total I ² t @ 500Vac [A ² s]	
16	476	780	950	1 280	
20	760	910	1 480	1 670	
25	1 440	1 780	2 890	3 270	
32	2 600	3 360	5 630	6 360	
35	3 100	4 770	7 610	8 600	
40	4 700	6 750	11 300	12 800	
50	5 900	8 340	13 600	15 300	
63	10 300	16 200	26 400	30 700	
80	17 300	27 200	45 500	51 400	
100	28 900	45 500	88 600	97 000	
125	44 400	78 600	127 500	157 600	
160	78 500	139 600	226 600	280 200	
200	157 600	248 200	390 900	483 400	
224	194 800	297 600	483 400	615 000	
250	240 900	368 000	616 000	761 000	
315	513 000	716 000	1 164 000	1 438 000	
355	616 000	859 000	1 483 000	1 725 000	
400	859 000	1 236 000	2 008 000	2 558 000	
500	1 130 000	1 670 000	2 800 000	3 360 000	
630	1 950 000	2 980 000	4 840 000	6 000 000	
800	3 700 000	5 450 000	8 900 000	11 300 000	
1 000	4 510 000	7 460 000	9 020 000	12 200 000	
1 250	7 800 000	12 900 000	15 000 000	21 100 000	

Accessories						
Size 000/00	Size 0	Size 1	Size 2	Size 3	Size 4a	Size 4
Fuse Bases - 1 Pole						
2100101	2100204	2100301	2100401	2100501	2112002	2100601
552	553	554	555	556	557	2100605
Fuse Bases - 3 Pole						
2100103		2100303	2100403			
552		554	555			
Microswitch						
2800202 (Red Hammer)						
551						
Grip Handle, Insertion/Removal Tool						
2200102 - Standard, 2200105 - w/Leather Sleeve					2212001 - w/Leather Sleeve	
559						



FUSES

NH	Rated Voltage	Rated Breaking Test	Class	Standard(s)
	[Un]	Capacity	aM	IEC 60269-1
Size NH000, 00, 0, 1	690V_{AC}	120kA		VDE 0636 Part 2011
2, 3, 4a & 4				

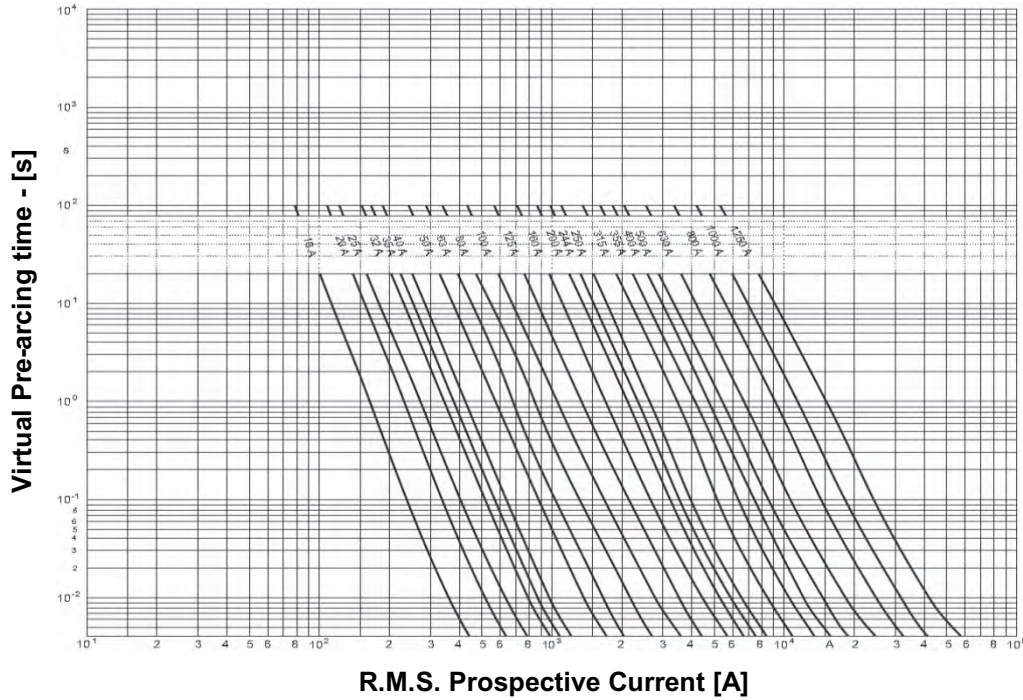
Power Loss [W]

[A]	NH000	NH00	NH0	NH1	NH2	NH3
16	0.8	—	1.0	1.0	—	—
20	—	—	1.1	1.1	—	—
25	1.4	—	1.4	1.4	—	—
32	1.6	—	1.9	1.9	—	—
35	1.8	1.8	2.1	2.1	—	—
40	2.0	2.0	2.4	2.4	2.3	—
50	2.4	2.0	2.8	2.8	2.7	—
63	—	3.2	3.8	3.8	3.0	—
80	—	4.2	4.8	4.8	4.8	—
100	—	5.2	—	—	5.3	—
125	—	6.6	7.8	7.8	—	—
160	—	9.0	—	—	—	—
200	—	—	—	—	—	—
224	—	—	—	—	—	—
250	—	—	—	—	—	22
315	—	—	—	—	—	25
355	—	—	—	—	—	26
400	—	—	—	—	—	28
500	—	—	—	—	—	35
630	—	—	—	—	—	40

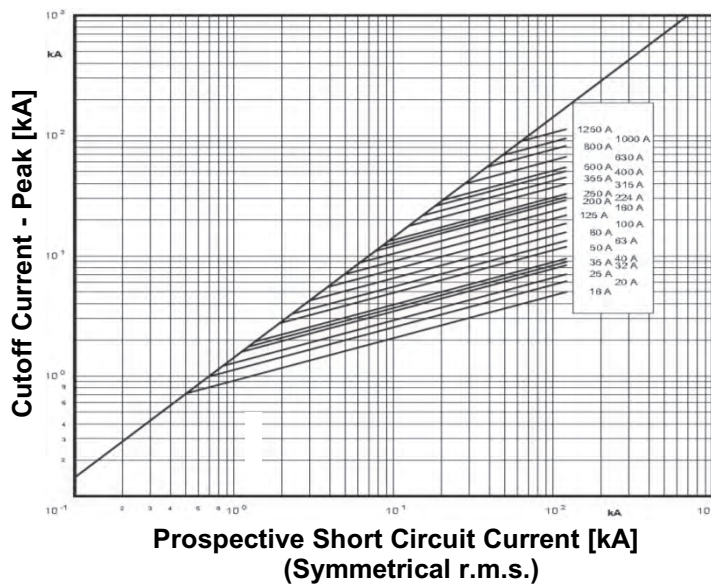
[A]	Size 4a	Size 4
400	34	31
500	44	40
630	53	48
800	64	58
1 000	78	71
1 250	100	92

NH	Rated Voltage [Un]	Rated Breaking Test Capacity	Test Voltage	Class aM	Standard(s)
Size NH000, 00, 0, 1 2, 3, 4a & 4	690V _{AC}	120kA	500V _{AC}		IEC 60269-1 VDE 0636 Part 2011

Time-Current Characteristics

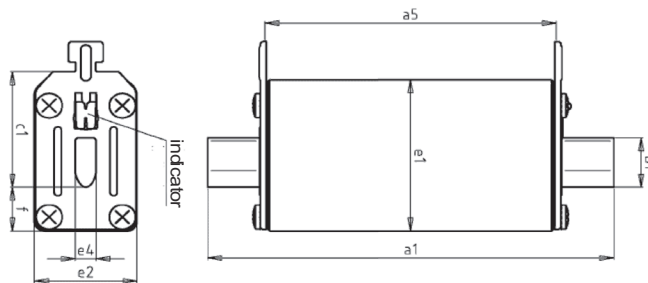


Cutoff Current Characteristics



NH	Rated Voltage [Un] 1000V _{AC}	Rated Breaking Test Capacity 25kA	Class aM	Standard(s) DIN 43620 Part 5 VDE 0636 Part 2011
Size NH00C & 00		Live Metal Gripping Lugs		

Rated Current I _n [A]	Size 00C w/Top Indicator Article Number	Size 00 w/Top Indicator Article Number	
16	2038608.16	—	
20	2038608.20	—	
25	2038608.25	—	
35	2038608.35	—	
50	2038608.50	—	
63	2038608.63	—	
80	2038608.80	—	
100	2038608.100	—	
125	—	2038908.125	
160	—	2038908.160	
	Weight [kg per 1]		
	0.18	0.28	
	Units per Package		
	3		
	Dimensions [in / mm]		
a ₁	4.33 / 110	4.61 / 117	
a ₅	3.07 / 78	3.35 / 85	
b ₁	1.02 / 15	1.26 / 15	
c ₁	1.38 / 35	1.38 / 35	
e ₁	1.60 / 40.5	1.80 / 46	
e ₂	0.80 / 20.5	1.16 / 29.5	
e ₄	0.24 / 6	.24 / 6	
f	0.28 / 7	0.54 / 13.5	



NH000 and NH00



NH	Rated Voltage [Un] 1000V _{AC}	Rated Breaking Test Capacity 25kA	Class aM	Standard(s) DIN 43620 Part 5 VDE 0636 Part 2011
Size NH00C & 00		Live Metal Gripping Lugs		

Rated Current I _n [A]	Pre-arcing i ² t [A ² s]	Total i ² t @ 760Vac [A ² s]	Power Loss [W]	
16	520	2 100	0.9	
20	930	3 700	1.3	
25	1 450	5 800	1.8	
35	2 450	9 800	2.1	
50	5 500	22 000	2.5	
63	10 500	42 000	3.5	
80	13 000	52 000	5.8	
100	19 000	76 000	8.0	
125	30 000	120 000	13	
160	53 000	212 000	17	

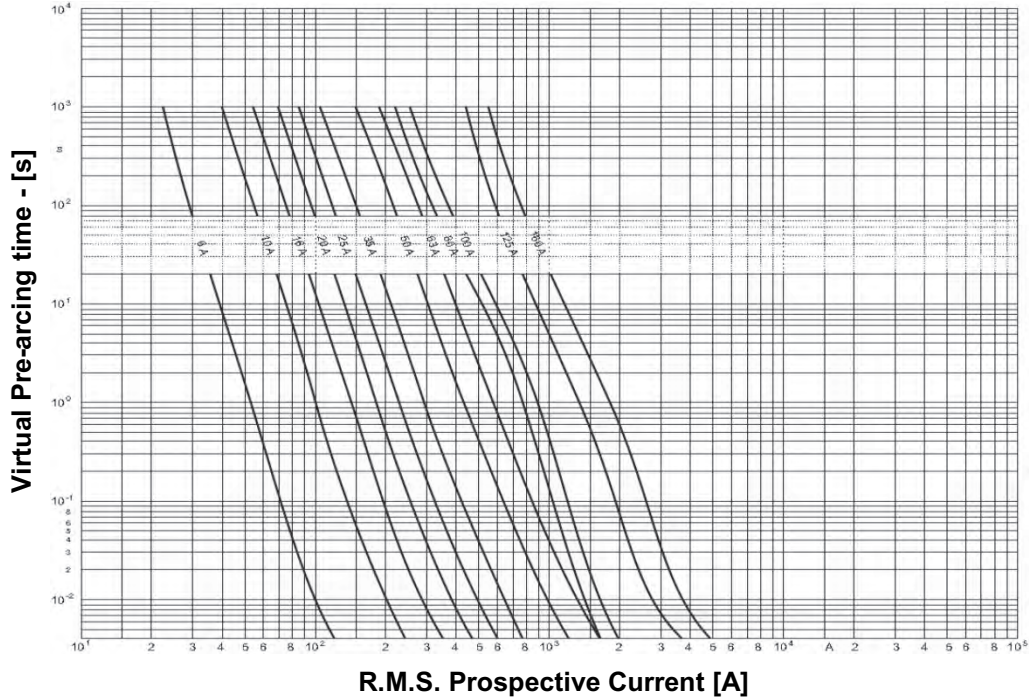
Accessories						
NH00C	NH00					
Fuse Bases - 1 Pole						
2138601 NH42	2138901 NH42					
Microswitch						
2800202 (Red Hammer)						
551						
Grip Handle, Insertion/Removal Tool						



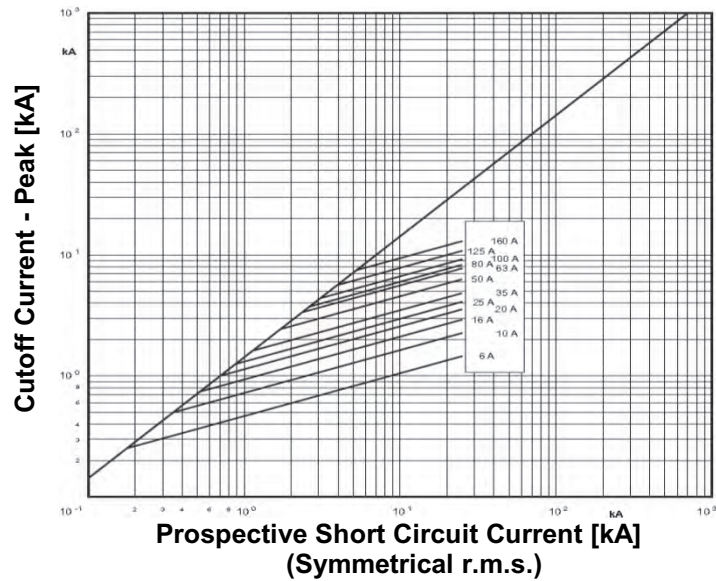
FUSES

NH	Rated Voltage [Un] 1000V _{AC}	Rated Breaking Test Capacity 25kA	Test Voltage 760V _{AC}	Class aM	Standard(s) DIN 43620 Part 5 VDE 0636 Part 2011
Size NH00C & 00					

Time-Current Characteristics



Cutoff Current Characteristics

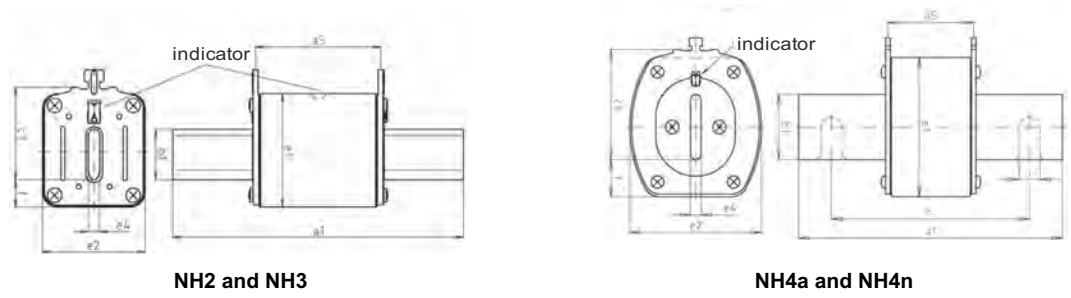


NH	Rated Voltage [Un] 400V_{AC}	Rated Breaking Test Capacity 100kA	Class gTr	Standard(s) VDE 0636 Part 2011
Size NH2, 3, 4a & 4n				
Live Metal Gripping Lugs				

Rated Current I _n [A]	Rated Transformer Capacity [kVA]	Size 2 w/Combi - Indicator Article Number	Size 3 w/Combi - Indicator Article Number	Size 3 w/Combi - Indicator Article Number	Size 4a w/Top Indicator Article Number	Size 4n w/Top Indicator Article Number
72	50	2000415.72	2000515.72	—	2012015.72	2017415.72
108	75	2000415.108	2000515.108	—	2012015.108	2017415.108
144	100	2000415.144	2000515.144	—	2012015.144	2017415.144
180	125	2000415.180	2000515.180	—	2012015.180	2017415.180
231	160	2000415.231	2000515.231	—	20120 5.231	2017415.231
289	200	2000415.289	2000515.289	—	2012015.289	2017415.289
361	250	2000415.361	2000515.361	—	2012015.361	2017415.361
455	315	—	2000515.455	—	2012015.455	2017415.455
577	400	—	2000515.577	—	2012015.577	2017415.577
722	500	—	—	2000515.722	2012015.722	2017415.722
909	630	—	—	2000515.909	2012015.909	2017415.909
1 155	800	—	—	—	2012015.1155	2017415.1155
1 443	1 000	—	—	—	2012015.1443	2017415.1443

Weight [kg per 1]					
	0.65	1.24	1.31	2.6	2.6
Units per Package					
	3			1	

Dimensions [in / mm]						
a ₁		5.90 / 150	5.90 / 150	5.90 / 150	7.87 / 200	7.87 / 200
a ₅		2.56 / 65	2.56 / 65	2.56 / 65	3.43 / 87	2.56 / 65
b ₁		1.02 / 26	1.26 / 32	1.26 / 32	1.97 / 50	1.97 / 50
c ₁		1.90 / 48	2.36 / 60	2.36 / 60	3.35 / 85	3.43 / 87
e ₁		2.32 / 59	2.90 / 73.5	2.90 / 73.5	4.25 / 108	4.37 / 110
e ₂		2.10 / 53	2.56 / 65	2.56 / 65	3.94 / 100	4.01 / 102
e ₄		0.24 / 6	0.24 / 6	0.24 / 6	0.24 / 6	0.31 / 8
f		0.55 / 14	0.67 / 17	0.63 / 16	1.10 / 28	0.98 / 25



NH2 and NH3

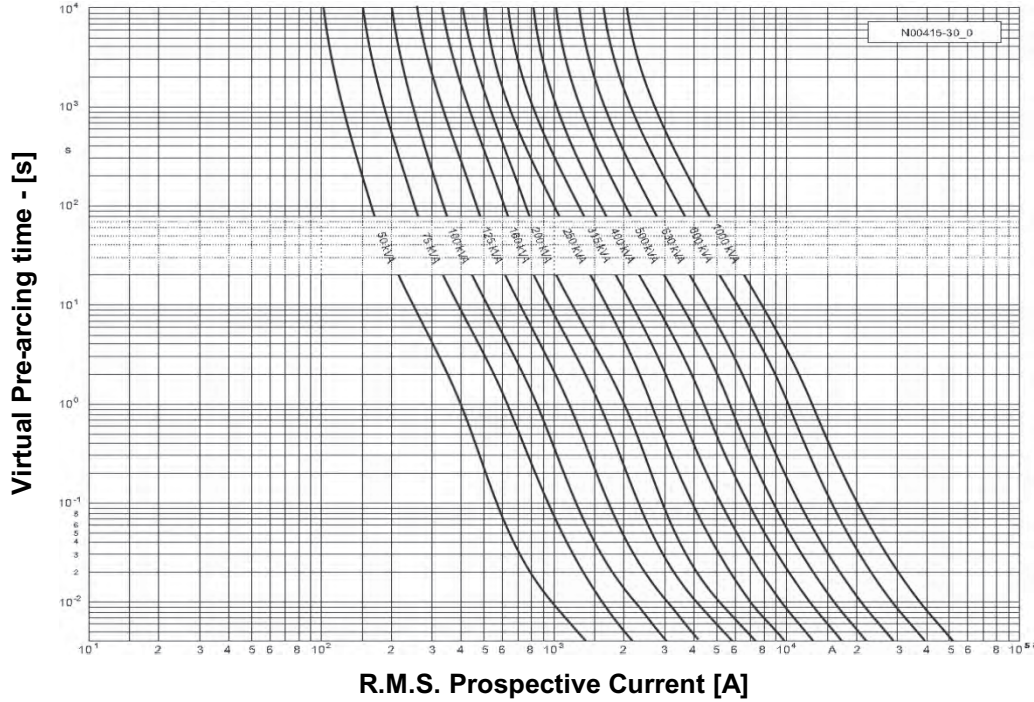
NH4a and NH4n

NH	Rated Voltage [Un] 400V _{AC}	Rated Breaking Test Capacity 100kA	Rated Breaking Test Voltage 400V _{AC}	Class gTr	Standard(s) VDE 0636 Part 2011	
Size NH2, 3, 4a & 4n			Live Metal Gripping Lugs			
Rated Current I _n [A]	Pre-arcing I ² t [A ² s]	Total I ² t @ 254Vac [A ² s]	Total I ² t @ 400Vac [A ² s]	Size 2 Power Loss [W]	Size 3 Power Loss [W]	Size 4a / 4n Power Loss [W]
72	6 950	10 950	15 800	8.5	8.5	8.5 / 8.5
108	18 900	30 700	44 000	11	11	11 / 10
144	35 700	58 000	84 000	13	13	13 / 12
180	76 000	124 000	173 000	15	15	15 / 14
231	139 600	227 000	326 000	18	17	18 / 16
289	226 600	368 000	514 000	22	21	22 / 21
361	415 400	695 000	970 000	27	26	27 / 25
455	738 600	1 200 000	1 674 000	—	31	33 / 32
577	1 247 000	2 133 000	2 976 000	—	36	38 / 36
722	2 199 000	3 570 000	4 982 000	—	49	51 / 50
909	3 910 000	6 348 000	9 000 000	—	69	72 / 70
1 155	7 613 000	12 362 000	16 737 000	—	—	86 / 84
1 443	13 135 000	21 330 000	29 770 000	—	—	110 / 108

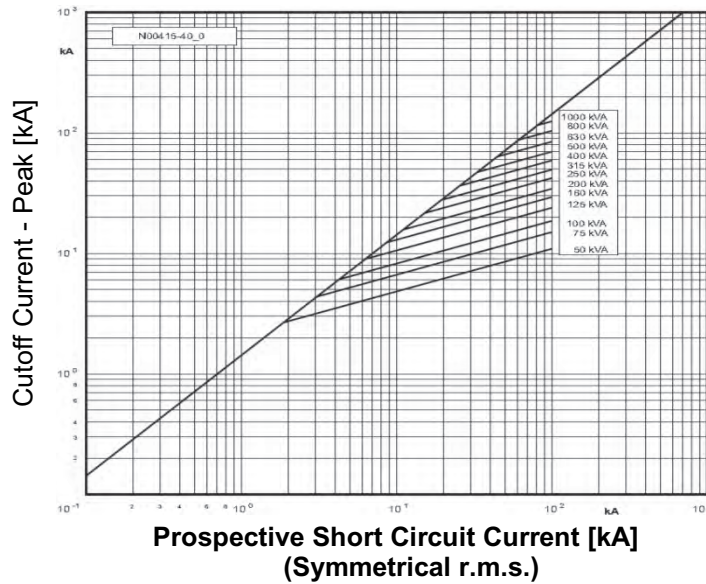
Accessories						
			Size 2	Size 3	Size 4a	
Fuse Bases - 1 Pole						
			2100401	2100501	2112002	
			555	556	557	
Fuse Bases - 3 Pole						
			2100403			
			555			
Microswitch						
2800202 (Red Hammer)						
551						
Grip Handle, Insertion/Removal Tool						
2200102 - Standard, 2200105 - w/Leather Sleeve					2212001 - w/Leather Sleeve	
557						

NH	Rated Voltage [Un] 400V _{AC}	Rated Breaking Test Capacity 100kA	Class gTr	Standard(s) VDE 0636 Part 2011
Size NH2, 3, 4a & 4n			Live Metal Gripping Lugs	

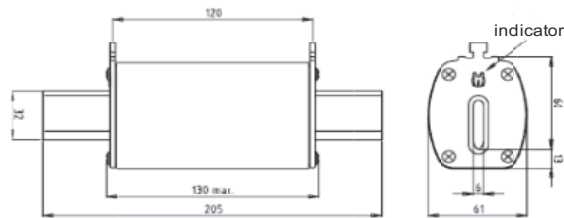
Time-Current Characteristics



Cutoff Current Characteristics



NH		Rated Voltage [Un] 1500V _{AC}	Rated Breaking Test Capacity 25kA	Class gTr	Standard(s) Company Standard
Size NH3		Live Metal Gripping Lugs			
Rated Current I _n [A]	Size 3 w/Top Indicator Article Number	Pre-arcing I ² t [A ² s]	Total I ² t @ 760Vac [A ² s]	Total I ² t @ 1200Vac [A ² s]	Power Loss [W]
6	2024602.6	40	160	240	—
10	2024602.10	90	360	540	—
16	2024602.16	320	1 300	1 900	—
20	2024602.20	460	1 900	2 800	—
25	2024602.25	850	3 400	5 100	—
36	2024602.36	1 440	5 760	8 600	—
50	2024602.50	3 800	15 200	22 700	—
63	2024602.63	9 000	36 000	53 600	—
80	2024602.80	15 000	60 800	90 500	—
100	2024602.100	36 000	144 000	215 000	—
125	2024602.125	61 000	244 000	362 000	—
160	2024602.160	117 000	468 000	695 000	—
200	2024602.200	208 000	832 000	1 234 000	—
250	2024602.250	324 000	1 296 000	1 928 000	—
315	2024602.315	548 000	2 192 000	3 258 000	—
Weight (kg per 1)					
1.30					
Units per Package					
1					

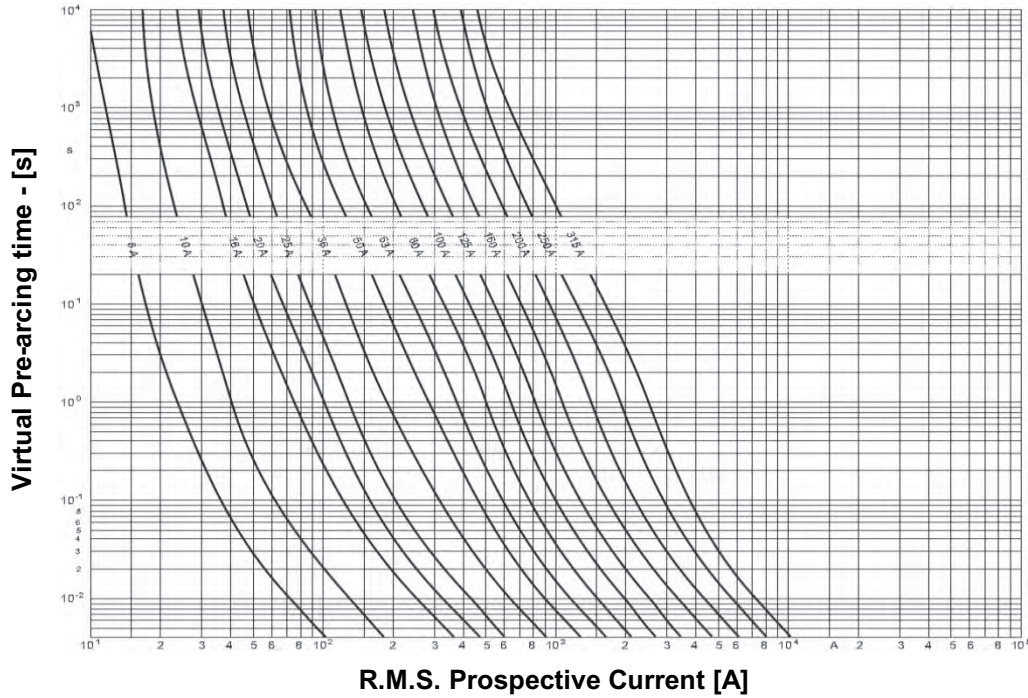


NH3

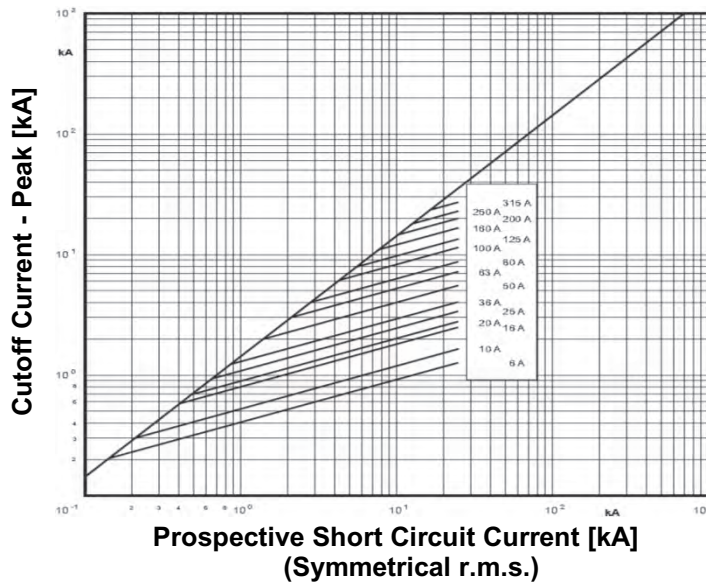
Accessories					
Fuse Bases - 1 Pole					
2103101					
556					
Microswitch					
2800202 (Red Hammer)					
551					
Grip-Handle, Insertion/Removal Tool					
2203101 Standard, 2200105 Leather Glove Protection				2203102	
559					

NH	Rated Voltage [Un] 1500V _{AC}	Rated Breaking Capacity 25kA	Test Voltage 1200V _{AC}	Class gTr	Standard(s) Company Standard
Size NH3				Live Metal Gripping Lugs	

Time-Current Characteristics

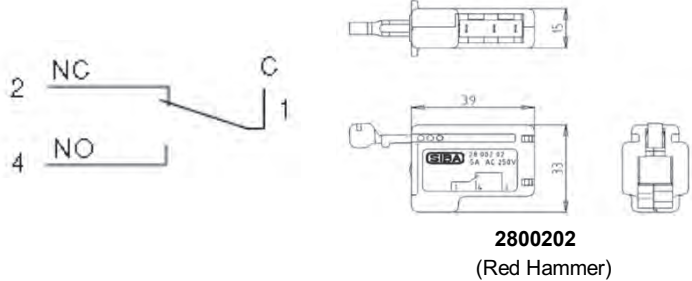


Cutoff Current Characteristics



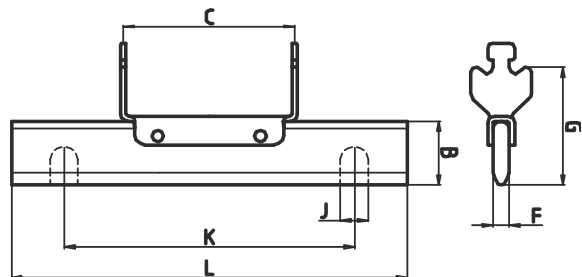
NH **Low Voltage Fuses** **Standard(s)**
European NH Knife Blade Fuse System **DIN 43620**
Accessories

GL - Microswitches						
Standard Level						
Article Number	Insulating Voltage [V]	Change Over Circuits	Interrupt Rating			
			AC		DC	
			[V]	[A]	[V]	[A]
2800202	u	1	250	5(resistive)	33	3(resistive)
				3(inductive)	26	3(inductive L/R =10ms)
Low Level						
			Interrupt Rating			
			Minimum		Maximum	
2800204	u	1	5V _{AC}	1mA(resistive)	30V _{AC}	0.3A
			5V _{DC}		30V _{DC}	
Weight [kg / 1]						
0.02						
Units per Package						
10						



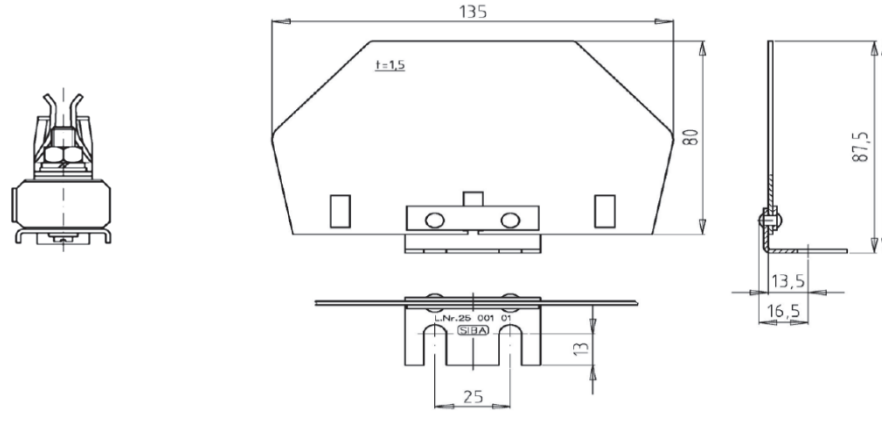
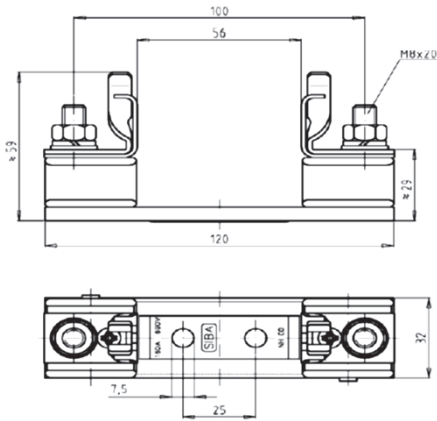
Knife Links 690V

	Size 00	Size 0	Size 1	Size 2	Size 3	Size 4	Size 4a
Article Number							
	2400102	2400202	2400302	2400402	2400502	2400602	2400607
Weight (kg per 1)							
	0.08		0.17	0.23	0.28	0.6	1.08
Units per Package							
	10		10	10	10	6	6
Dimensions [in / mm]							
B	0.60 / 15	—	0.80 / 20	1.02 / 26	1.02 / 26	1.97 / 50	1.97 / 50
C	1.90 / 48	—	2.56 / 65	2.56 / 65	2.56 / 65	3.43 / 87	2.56 / 65
F	0.24 / 6	—	0.24 / 6	0.24 / 6	0.24 / 6	0.24 / 6	0.30 / 8
G	1.38 / 35	—	1.65 / 42	1.89 / 48	2.13 / 54	3.35 / 85	3.35 / 85
J	—	—	—	—	—	—	0.63 / 16
K	—	—	—	—	—	—	5.91 / 150
L	3.07 / 78	—	5.30 / 135	5.91 / 150	5.91 / 150	7.87 / 200	7.87 / 200

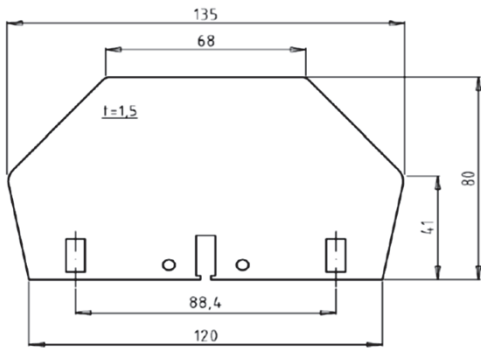


NH Low Voltage Fuses Standard(s)
DIN 43620
European NH Knife Blade Fuse System 690V_{AC} IEC 60 269-2
Accessories - Fuse Bases

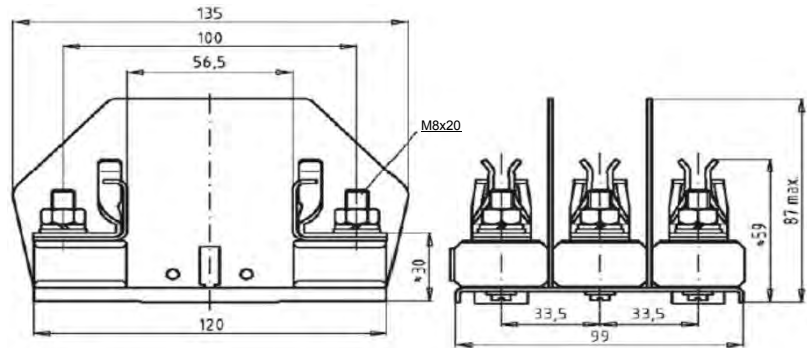
Fuse Size	Fuse Base Article No.	Rated Current [A]	Rated Power Acceptance [W]	Weight [kg/1]	Units per Package	External Wall Article No.	Partition Wall Article No.	Insulating Contact Covers
000 / 00								
1 - Pole	2100101	160	12	0.44	1	2500101	2500103.2	—
3 - Pole	2100103			0.81			—	



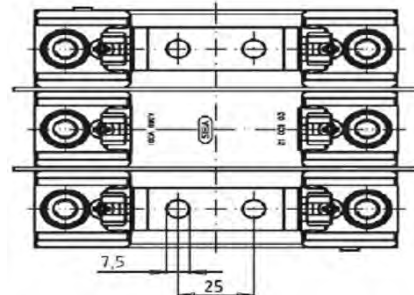
2100101 - 1 Pole



2500101



2500103.2



2100103 - 3 Pole
with two partition walls

Maximum Torque	
Fuse base mounting	- 12N•m
Cable connection	- 12N•m

NH

Low Voltage Fuses

European NH Knife Blade Fuse System 690V_{AC}

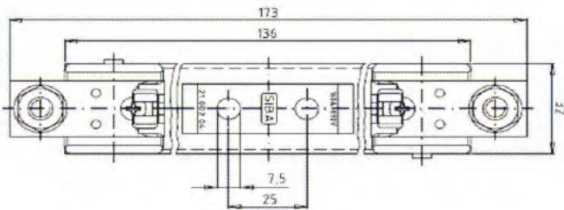
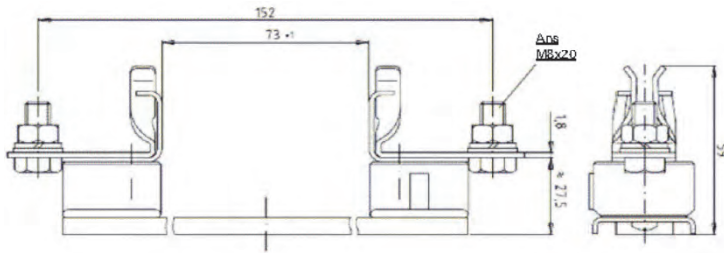
Standard(s)

DIN 43620

IEC 60 269-2

Accessories - Fuse Bases

Fuse Size	Fuse Base Article No.	Rated Current [A]	Rated Power Acceptance [W]	Weight [kg/1]	Units per Package	External Wall Article No.	Partition Wall Article No.	Insulating Contact Covers
0 1 - Pole	2100204	160	25	0.28	1	—	—	—

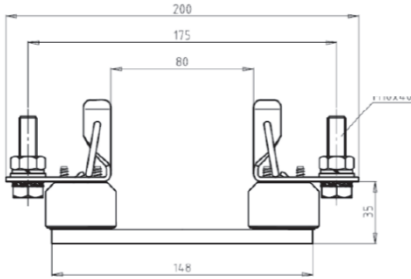


Maximum Torque	
Fuse base mounting	- 12N•m
Cable connection	- 12N•m

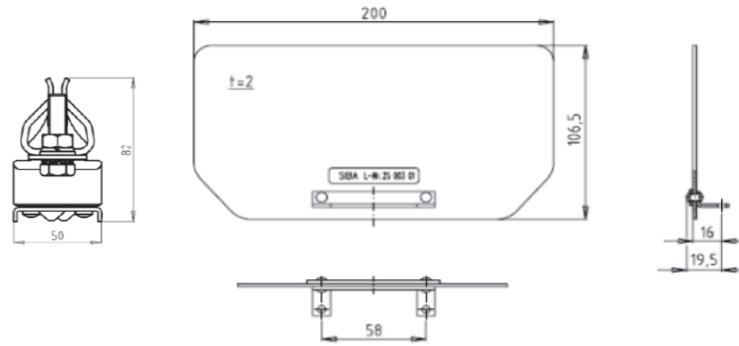
NH Low Voltage Fuses Standard(s)
 European NH Knife Blade Fuse System 690V_{AC} DIN 43620
 Accessories - Fuse Bases IEC 60 269-2

Fuse Size	Fuse Base Article No.	Rated Current [A]	Rated Power Acceptance [W]	Weight [kg/1]	Units per Package	External Wall Article No.	Partition Wall Article No.	Insulating Contact Covers Article No.
1 - Pole	21003 01	250	32	0.72	1	2500301	2100303.30	2100301.26
3 - Pole	21003 03			2.31				

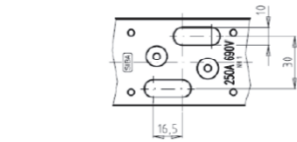
Parallel installation of single pole fuse bases, distance between centers ≥ 58mm.



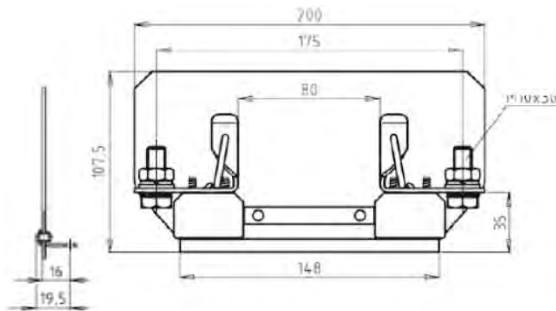
2100301



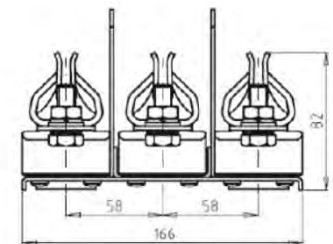
2500301



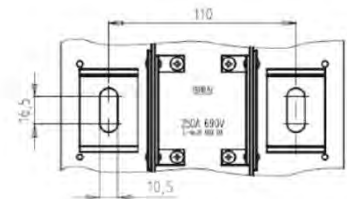
2100303.30



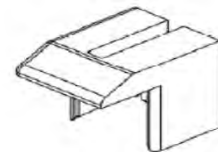
2100303 - 3 Pole
with two partition walls



2100301.26



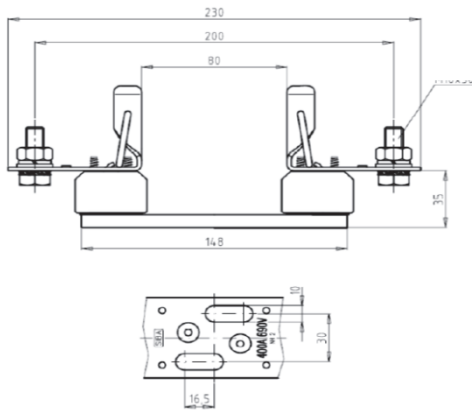
Maximum Torque	
Fuse base mounting	- 20N•m
Cable connection	- 32N•m



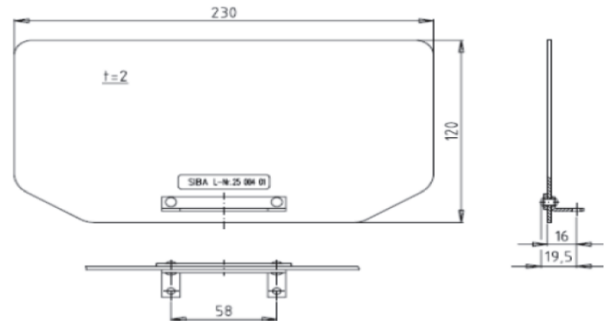
NH Low Voltage Fuses Standard(s)
 European NH Knife Blade Fuse System 690V_{AC} DIN 43620
 Accessories - Fuse Bases IEC 60 269-2

Fuse Size	Fuse Base Article No.	Rated Current [A]	Rated Power Acceptance [W]	Weight [kg/1]	Units per Package	External Wall Article No.	Partition Wall Article No.	Insulating Contact Covers
1 - Pole	2100401	400	45	0.88	1	2500401	—	2100401.26
3 - Pole	2100403			3.15				

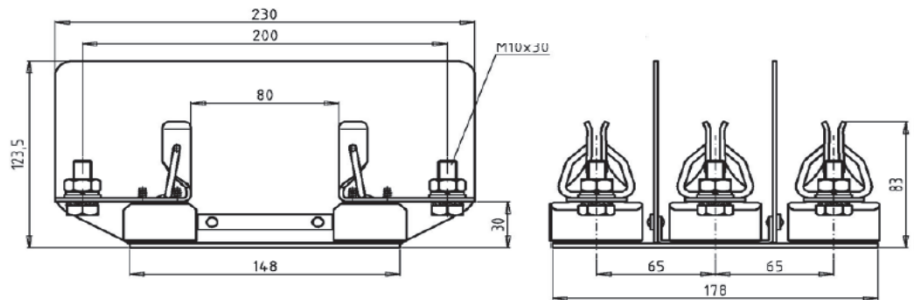
Parallel installation of single pole fuse bases, distance between centers ≥ 65mm.



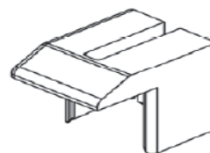
2100401



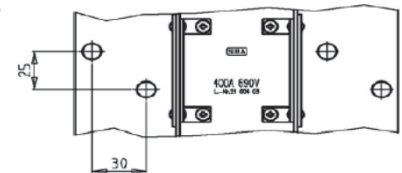
2500401



2100403
with two partition walls



2100401.26

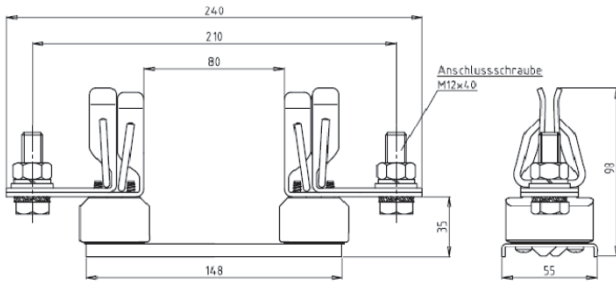


Maximum Torque	
Fuse base mounting	- 20N•m
Cable connection	- 32N•m

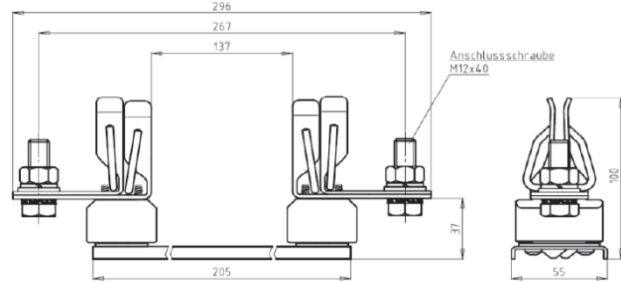
NH Low Voltage Fuses Standard(s)
 European NH Knife Blade Fuse System 690V_{AC} & 1500V_{AC} DIN 43620
 Accessories - Fuse Bases IEC 60 269-2

Fuse Size	Fuse Base Article No.	Rated Current [A]	Rated Power Acceptance [W]	Weight [kg/1]	Units per Package	External Wall Article No.	Partition Wall Article No.	Insulating Contact Covers
1 - Pole(690V _{AC})	2100501	630	60	1.16	1	2500501	—	2100501.26
1 - Pole(1500V _{AC})	2103101			1.13				

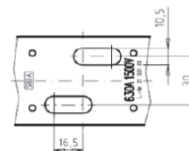
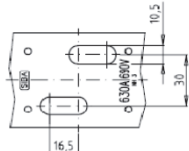
Parallel installation of single pole fuse bases, distance between centers ≥ 75mm.



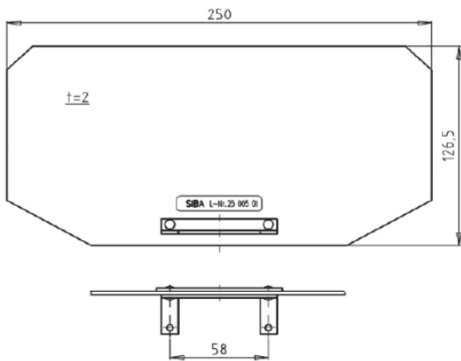
2100501



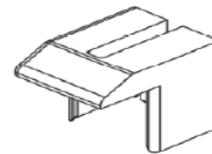
2103101



Maximum Torque	
Fuse base mounting	- 20N•m
Cable connection	- 38N•m



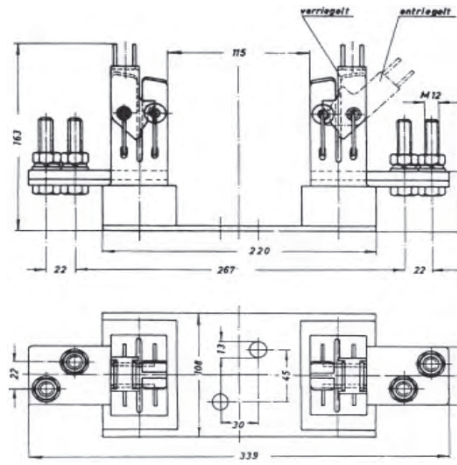
2500501



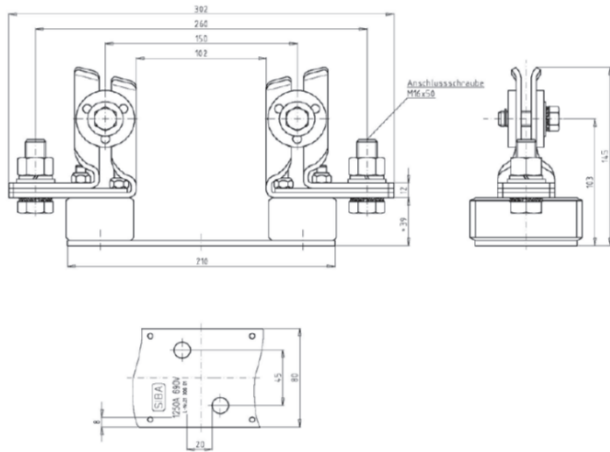
2100501.26

NH **Low Voltage Fuses** **Standard(s)**
European NH Knife Blade Fuse System 690V_{AC} **DIN 43620**
Accessories - Fuse Bases **IEC 60 269-2**

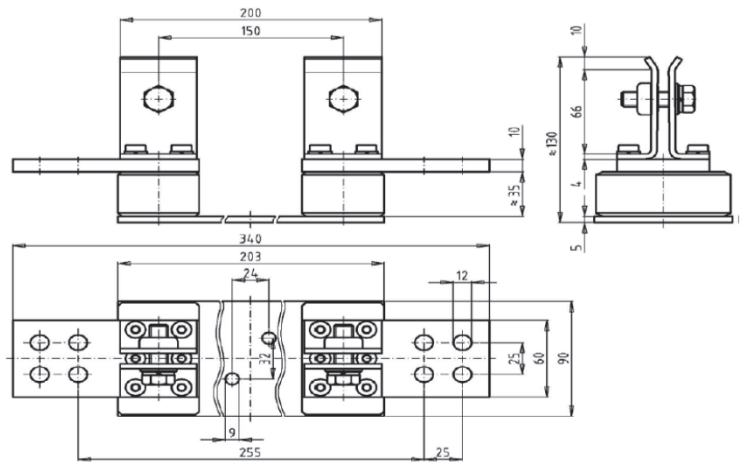
Fuse Size	Fuse Base Article No.	Rated Current [A]	Rated Power Acceptance [W]	Weight [kg/1]	Units per Package	External Wall Article No.	Partition Wall Article No.	Insulating Contact Covers
1 - Pole 4a	2112002	1250	—	4.2	1	—	—	—
1 - Pole	2100601	1250	90	3.65	1	—	2100604.30	—
1 - Pole	2100605	1600	90	3.68	1	—	—	—



2112002



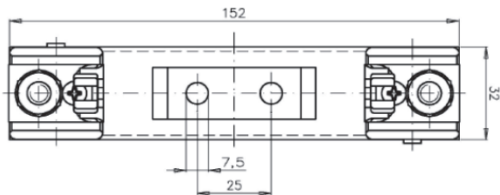
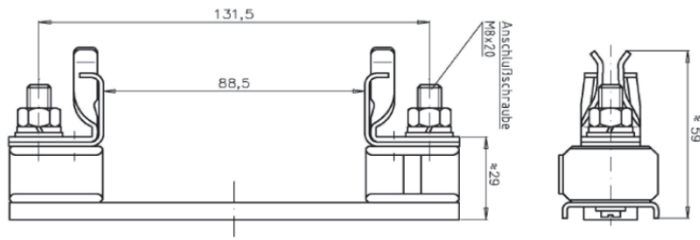
2100601



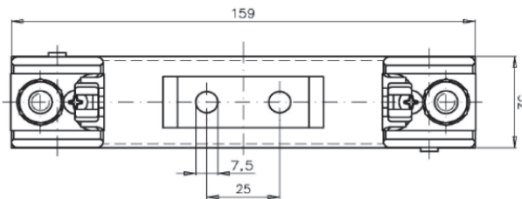
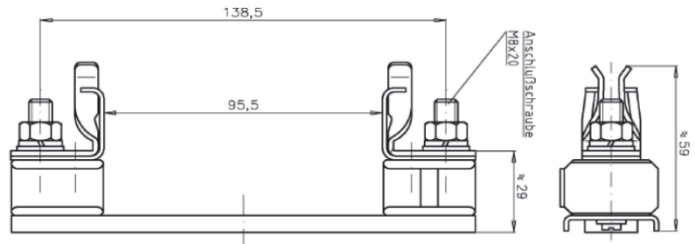
2100605

NH Low Voltage Fuses Standard(s) DIN 43620 Tiel 5
 European NH Knife Blade Fuse System 1000V_{AC}
Accessories - Fuse Bases

Fuse Size	Fuse Base Article No.	Rated Current [A]	Rated Power Acceptance [W]	Weight [kg/1]	Units per Package	External Wall Article No.	Partition Wall Article No.	Insulating Contact Covers
1 - Pole 000	2138601	100	—	0.28	1	—	—	—
1 - Pole 00								
1 - Pole	2138901	160	—	0.29	1	—	—	—



2138601



2138901

Maximum Torque	
Fuse base mounting	- 12N•m
Cable connection	- 12N•m

NH

NH Fuses

Standard(s)

European NH Knife Blade Fuse System
Accessories - Insertion / Removal Tool

European NH Knife Blade Fuse System to 690V_{AC}

NH00 - NH3

2200102 (Standard)

2200105 (with Leather Sleeve)

NH4 & 4a

2212001 (with Leather Sleeve)



Do Not Operate Under Load!

European NH Knife Blade Fuse System to 1600V_{AC}

NH1 - NH3 (a₅ =120mm - 124mm)



2203101 (Standard)

Do Not Operate Under Load!



2203102 (with Leather Sleeve)

Do Not Operate Under Load!