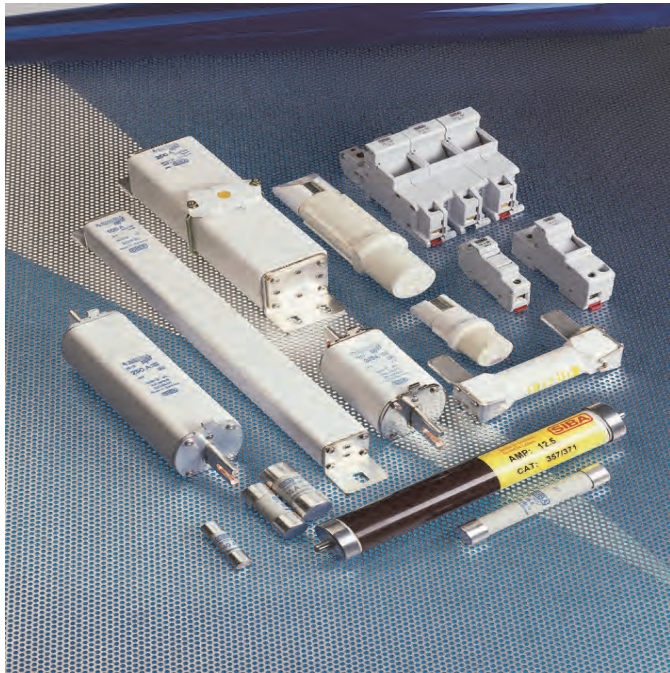


Fuses for DC and Traction Applications



Classes:	aR / gR / gRL(gS)
Voltage ratings:	440V _{DC} to 4200V _{DC}
Current ratings:	6A to 1000A
Standards:	UIC 550 IEC 60269-4 IEC 60077-5 VDE 0636-40

SIBA DC Fuses are available for clip-mounted and bolt design. The fuses are used for traction, battery and railway power circuit applications. Due to the variety of applications please contact SIBA for information regarding use at different voltage ratings, class or L/R time constants

Features and Benefits

- ▶ Designed for heavy duty applications
- ▶ Shock and vibration tested to 30 g
- ▶ Developed according to customers specifications
- ▶ Tested with different time constants
- ▶ Designed for long life under severe service conditions

Fuses for DC and Traction Applications

Article	Description	Selection Guide	Technical Data	
440V_{DC}				
14mmx51mm				
5012434		216	216 - 217	
5012634				
5012934	63mm mounting centers			
22mmx58mm				
5014034		218	218 - 219	
5014234				
5014534	80mm mounting centers			
5014634	PCB mounting			
660V_{DC} / 440V_{DC}				
27mmx60mm				
5019006		220	220 - 221	
5019106				
5019206	80mm mounting centers			
700V_{DC}				
14mmx51mm				
5011806		222	222 - 223	
5020106		224	224 - 225	
5020206	80mm mounting centers			
000 DIN 80				
2029221		226	226 - 227	
2029220				
2025920				
750V_{DC}				
NH1				
2055604		228	228 - 229	
1000V_{DC}				
10mmx38mm				
5021506		230	230 - 231	
5021606	PCB mounting			
5021706	50.6mm mounting centers			
SQB -DC90				
9030020	Bladed 156mm mounting centers	No blown fuse indication	232	232 - 233
9030021		With fitting for microswitch		
9035020	Threaded M10	No blown fuse indication		
9035021		With fitting for microswitch		
SQB -DC91				
9031020	Bladed 156mm mounting centers	No blown fuse indication	234	234 - 235
9031021		With fitting for microswitch		
9036020	Threaded M8	No blown fuse indication		
9036021		With fitting for microswitch		

Fuses for DC and Traction Applications

Article	Description	Selection Guide	Technical Data	
1000V_{DC}				
SQB -DC92				
9032020	Bladed 171mm mounting centers	No blown fuse indication	236	
9032021		With fitting for microswitch		
9037020	Threaded M10	No blown fuse indication		236 - 237
9037021		With fitting for microswitch		
SQB -DC92-2(Double Body)				
9037821	Threaded M10	With fitting for microswitch	238	
SQB -DC93				
9033020	Bladed 171mm mounting centers	No blown fuse indication	240	
9033021		With fitting for microswitch		
9038020	Threaded M12	No blown fuse indication		240 - 241
9038021		With fitting for microswitch		
SQB -DC93-2(Double Body)				
9038821	Threaded M12	With fitting for microswitch	242	
NH4				
9008310		No blown fuse indication	243	
20mmx127mm				
9008010		With blown fuse indication	244	
9008210		With 2.5N Striker		
1200V_{DC}				
SQB-DC0				
9022325	Bracket 172mm mounting centers	No blown fuse indication	246	
9022326		With fitting for microswitch		
SQB-DC2				
9020325	Bracket 142mm mounting centers	No blown fuse indication	248	
9020326		With fitting for microswitch		
SQB-DC2-2(Double Body)				
9021325	Bracket 142mm mounting centers	No blown fuse indication	250	
9021326		With fitting for microswitch		
1500V_{DC}				
20mmx127mm				
9008110		No blown fuse indication	252	
9008610		With 2.5N Striker		
20mmx190mm				
9009010		No blown fuse indication	254	
9009110		With 2.5N Striker		
36mmx190mm				
9009410		No blown fuse indication	256	
9009510		With 2.5N Striker		
2000V_{DC}				
SQB-DC0				
9022225	Bracket 194mm mounting centers	No blown fuse indication	258	
9022226		With fitting for microswitch		
SQB-DC2				
9020225	Bracket 194mm mounting centers	No blown fuse indication	260	
9020226		With fitting for microswitch		

Fuses for DC and Traction Applications

Article	Description	Selection Guide	Technical Data
2400V_{DC}			
SQB-DC0			
9022125	Bracket 246mm mounting centers	No blown fuse indication	262
9022126		With fitting for microswitch	
SQB-DC2			
9020125	Bracket 244mm mounting centers	No blown fuse indication	264
9020126		With fitting for microswitch	
SQB-DC2-2(Double Body)			
9021125	Bracket 244mm mounting centers	No blown fuse indication	265
9021126		With fitting for microswitch	
4000V_{DC}			
40mmx254mm			
9010010		No blown fuse indication	267
4200V_{DC}			
SQB-DC0			
9022025	Bracket 416mm mounting centers	No blown fuse indication	268
9022026		With fitting for microswitch	
SQB-DC2			
9020025	Bracket 416mm mounting centers	No blown fuse indication	270
9020026		With fitting for microswitch	
SQB -DC92-2(Double Body)			
9021025	Bracket 416mm mounting centers	No blown fuse indication	271
9021026		With fitting for microswitch	
1000V_{AC}			
NH3			
2040704		No blown fuse indication	274
2000V_{AC}			
NH3			
2040404		No blown fuse indication	276
276 - 277			
Accessories for DC and Traction Application Fuses			
Article	Description	Selection Guide	Technical Data
Microswitches - Standard Level			
M-Microswitch			
2800104	Standard Level	Single Change Over Circuit	278
GL-Microswitch			
2800201	Standard Level	Single Change Over Circuit	278
2800202			
B-Microswitch			
2800311	Standard Level	Single Change Over Circuit	278 - 279
2800312			
2800320		Double Change Over Circuit	
2800321			
2800322			

Accessories for DC and Traction Application Fuses

Microswitches - Low Level

M-Microswitch

2801104	Low Level	Single Change Over Circuit	278
---------	-----------	----------------------------	-----

GL-Microswitch

2800203	Low Level	Single Change Over Circuit	278
2800204			

B-Microswitch

2800410	Low Level	Single Change Over Circuit	279 - 280
2800411			
2800412			
2800420		Double Change Over Circuit	
2800421			
2800422			

Fuse Modules

9108001	20mmx127mm 1-Pole		280
5106305.1DC	10mmx38mm 1-Pole, 1000V _{DC}		281
5106305.1LDC	10mmx38mm 1-Pole, 1000V _{DC}	w/ Neon Lamp Indicator	
5106305.2DC	10mmx38mm 2-Pole, 1000V _{DC}		
5106305.2LDC	10mmx38mm 2-Pole, 1000V _{DC}	w/ Neon Lamp Indicator	

Fuse Modules

5105805.1DC	14mmx51mm 1-Pole		282
5105805.1LDC		w/ Neon Lamp Indicator	
5105805.1SDC		w/ Microswitch	
5105805.2DC	14mmx51mm 2-Pole		283
5105805.2LDC		w/ Neon Lamp Indicator	
5106305.1	10mmx38mm 1-Pole, 750V _{AC/DC}		283
5106305.1L		w/ Neon Lamp Indicator	
5106305.2	10mmx38mm 2-Pole, 750V _{AC/DC}		
5106305.2L		w/ Neon Lamp Indicator	
5106305.3	10mmx38mm 3-Pole, 750V _{AC/DC}		285
5106305.3L		w/ Neon Lamp Indicator	
5106305.4	10mmx38mm 4-Pole, 750V _{AC/DC}		
5106305.4L		w/ Neon Lamp Indicator	

Fuse Bases

2155601	NH1, 1-Pole		281
2500301	External wall for 21 556 01		
2100301.26	Insulating Contact Cover		
2118901	80mm mounting centers		284
2118908			
2118911			
9109001	20mmx190mm		285
9109401	36mmx190mm		
9109601	36mmx250mm		

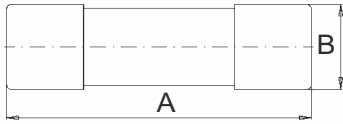
Accessories for DC and Traction Application Fuses

Fuse Clips and Terminals

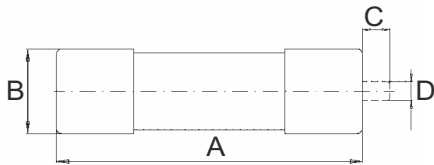
Article	Description	Selection Guide	Technical Data
Fuse Clips and Terminals			
5806316	10mm diameter contacts - PCB Mounting	286	
5806319	10mm diameter contacts - PCB Mounting		
5806317	10mm diameter contacts - Screw Mounting		
6301701	Clamping Plate for 50 063 01		
6101701.3	Terminal Link for 50 063 01	287	
6100101.2	14mm diameter contacts - Screw Mounting		
6301701	Clamping Plate for 61 001 01.2		
5805806	14mm diameter contacts - PCB Mounting		
6100201.3	20mm & 22mm diameter contacts - Screw Mounting	288	
6300201	Clamping Plate for 61 002 01.3		
6100201.4	Terminal Link for 61 002 01.3		
5806006	20mmx & 22mm diameter contacts - PCB Mounting	289	
6100401.3	27mm diameter contact - Screw Mounting		
6300201	Clamping Plate for 61 004 01.3		
9109401.3	36mm diameter contact - Screw Mounting	289	
9109401.4	Terminal Link for 91 094 01.3		

URDC E180276 Size 14x51mm	Rated Voltage [Un] 440V _{DC}	Rated Breaking Test Capacity 30kA(L/R=30ms)	Rated Breaking Test Voltage 440V _{DC}	Class gRL (gS)	Standard(s) UL 248-13 IEC 60269-4 VDE 0636 Part 4
--	--	---	--	-----------------------------	---

Rated Current I _n [A]	Without Indicator		With Striker 2.5N Striker		Without Indicator 63mm		Power Loss [W]	Pre-arcing i ² t [A ² s]	Total i ² t* @ 440V _{DC} [A ² s]
	Article Number	UL rec	Article Number	UL rec	Article Number	UL rec			
10	5012434.10	✓	5012634.10	✓	5012934.10	✓	1.9	8	70
12	5012434.12	✓	5012634.12	✓	5012934.12	✓	2.3	12	105
16	5012434.16	✓	5012634.16	✓	5012934.16	✓	2.8	25	210
20	5012434.20	✓	5012634.20	✓	5012934.20	✓	3.0	46	400
25	5012434.25	✓	5012634.25	✓	5012934.25	✓	3.2	100	850
30	5012434.30	✓	5012634.30	✓	5012934.30	✓	3.8	190	1 600
32	5012434.32	✓	5012634.32	✓	5012934.32	✓	4.0	250	2 100
35	5012434.35	✓	5012634.35	✓	5012934.35	✓	4.2	370	3 150
40	5012434.40	✓	5012634.40	✓	5012934.40	✓	4.4	420	3 600
0.03									*L/R=30ms
Units per Package									
10									

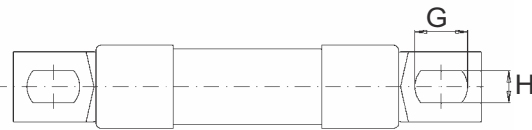
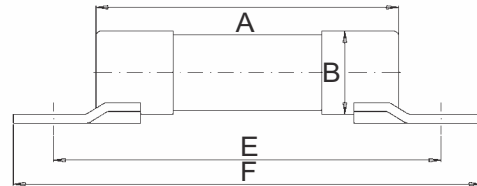


5012434



5012634


Dimensions [in / mm]	
A	2.00 / 51
B	0.55 / 14
C	0.28 / 7
D	0.20 / 4.9
E	2.50 / 63.5
F	3.03 / 7
G	0.34 / 8.7
H	0.20 / 5.5



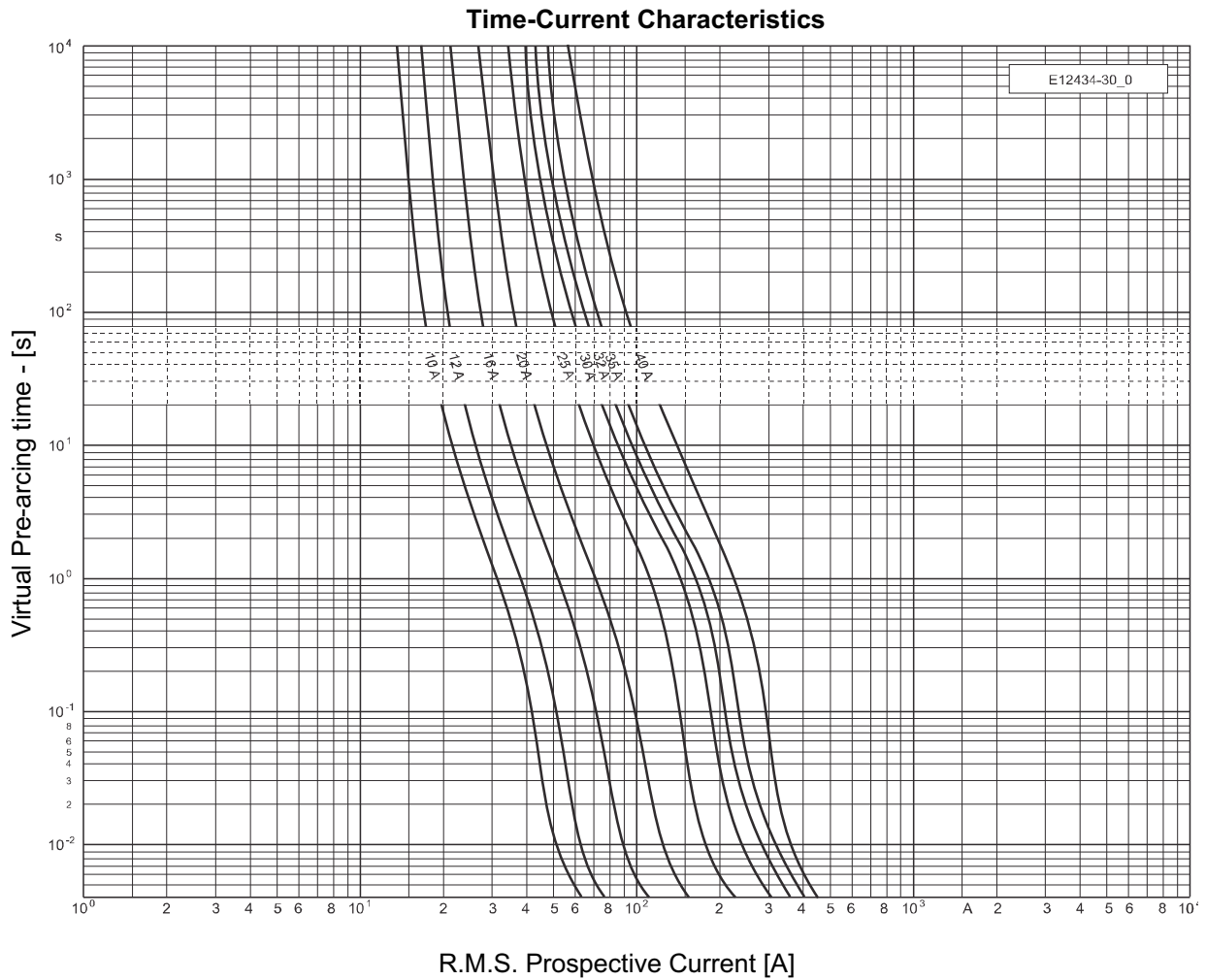
5012934

Accessories

Fuse Modules - DIN Rail Mounting w/Lockout Clip	Page	Fuse Clips	Page
5105805.1DC 1-Pole	282	6100101.2 Fuse Clips Screw mounting	287
5105805.1LDC 1-Pole w/neon lamp indicator		6301701 Clamping plate for 6100101.2	
5105805.2DC 2-Pole		5805806 Fuse Clips PCB mounting	
5105805.2LDC 2-Pole w/neon lamp indicator	 750V/50A E186970		

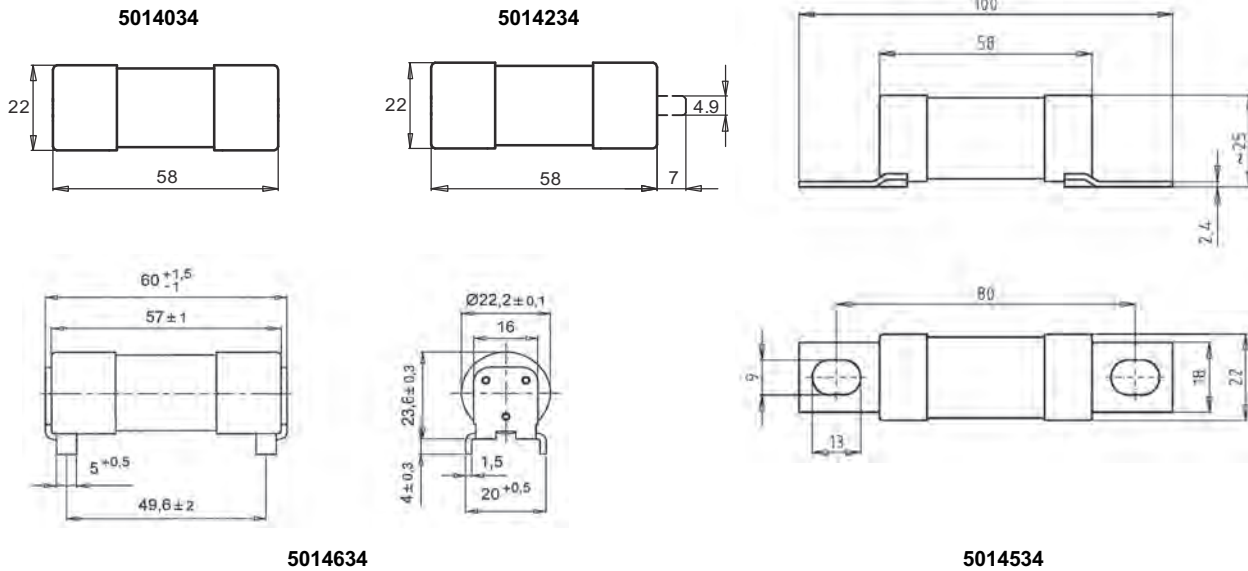
URDC  E180276 Size 14x51mm	Rated Voltage [Un] 440V _{DC}	Rated Breaking Test Capacity 30kA(L/R=30ms)	Test Voltage 440V _{DC}	Class gRL (gS)	Standard(s) UL 248-13 IEC 60269-4 VDE 0636 Part 4
---	--	---	---	--------------------------	---

Coefficients for Heavy Duty Applications				
a	A2	B1	B2	Cf3
130	1.0	1.25	0.6	0.8




 E180276 Size 22x58mm	Rated Voltage [Un] 440V _{DC}	Rated Breaking Test Capacity 30kA(L/R=30ms)	Rated Breaking Test Voltage 440V _{DC}	Class gRL (gS)	Standard(s) UL 248-13 IEC 60269-4 VDE 0636 Part 4
---	--	---	--	-----------------------------	---

Rated Current I _n [A]	Without Indicator		With 2.5N Striker		Without Indicator 80mm		Without Indicator PCB		Power Loss [W]	Pre-arcing i ² t [A ² s]	Total i ² t* @ 440V _{DC} [A ² s]
	Article Number	UL rec	Article Number	UL rec	Article Number	UL rec	Article Number	UL rec			
25	5014034.25	✓	5014234.25	✓	5014534.25	✓	5014634.25	✓	3.6	100	800
30	5014034.30	✓	5014234.30	✓	5014534.30	✓	5014634.30	✓	4.6	190	1 500
32	5014034.32	✓	5014234.32	✓	5014534.32	✓	5014634.32	✓	4.8	250	2 000
35	5014034.35	✓	5014234.35	✓	5014534.35	✓	5014634.35	✓	5.0	370	2 900
40	5014034.40	✓	5014234.40	✓	5014534.40	✓	5014634.40	✓	5.2	420	3 300
50	5014034.50	✓	5014234.50	✓	5014534.50	✓	5014634.50	✓	5.4	870	6 800
63	5014034.63	✓	5014234.63	✓	5014534.63	✓	5014634.63	✓	6.8	1 300	10 200
80	5014034.80	✓	5014234.80	✓	5014534.80	✓	5014634.80	✓	7.5	2 500	19 500
100	5014034.100	✓	5014234.100	✓	5014534.100	✓	5014634.100	✓	7.7	4 600	35 800
Weight [kg/l]											L/R=30ms
0.055											
Units per Package											
10											



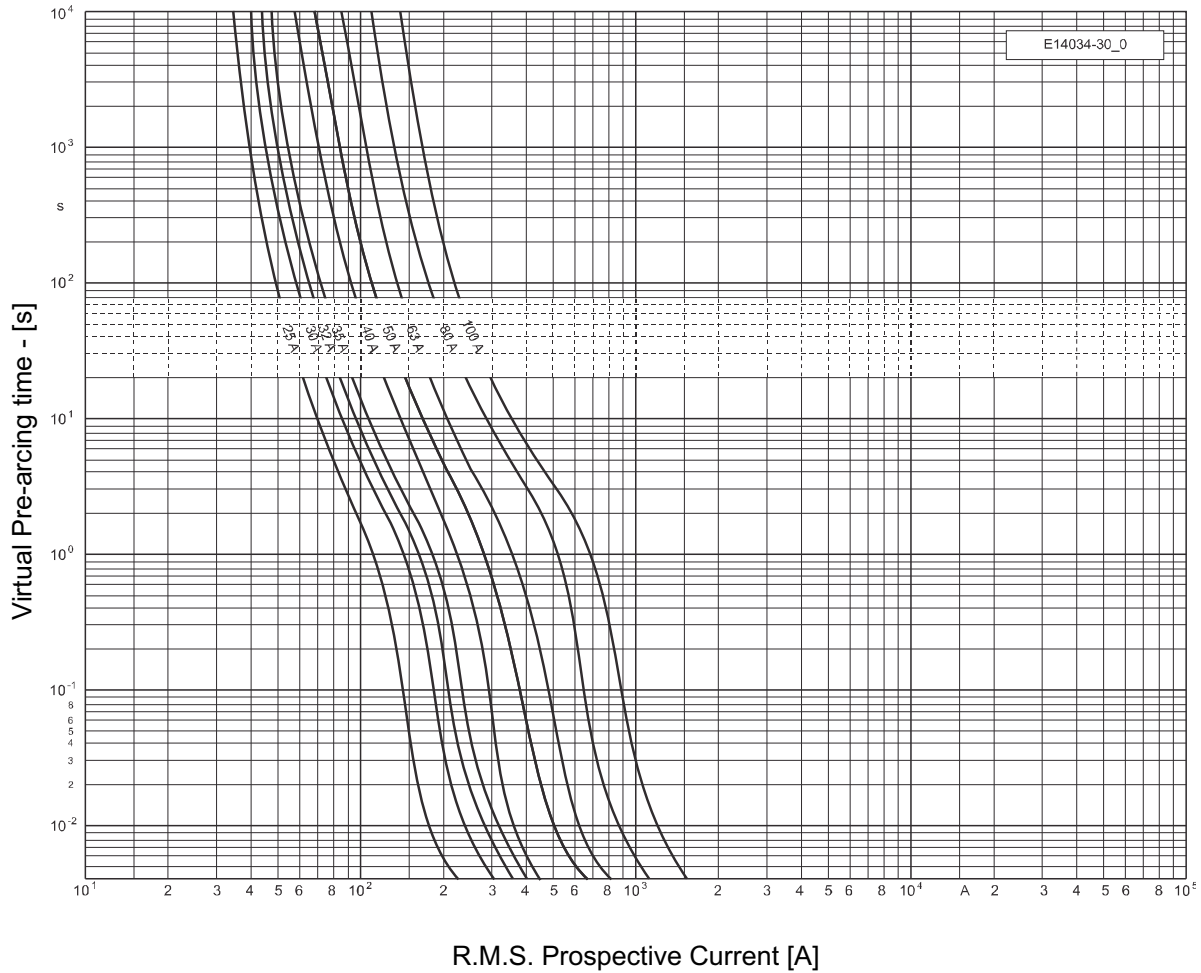
Accessories

Fuse Modules - DIN Rail Mounting w/Lockout Clip	Page	Fuse Clips & Terminal Links	Page
5106005.1 1-Pole	283	6100201.3 Fuse Clips Screw mounting	288
5106005.1L 1-Pole w/neon lamp indicator		6300201 Clamping plate for 6100201.3	
5106005.1S 1-Pole w/Microswitch	6100201.4 Terminal Link for 6100201.3		
5106005.2 2-Pole	5806006 Fuse Clips PCB mounting		
5106005.2L 2-Pole w/neon lamp indicator	 750V/100A E186970		
5106005.2S 2-Pole w/Microswitch			
5106005.3 3-Pole			
5106005.3L 3-Pole w/neon lamp indicator			
5106005.3S 3-Pole w/Microswitch			

URDC  E180276 Size 22x58mm	Rated Voltage [Un] 440V _{DC}	Rated Breaking Test Capacity 30kA(L/R=30ms)	Rated Voltage 440V _{DC}	Class gRL (gS)	Standard(s) UL 248-13 IEC 60269-4 VDE 0636 Part 4
---	--	---	--	-----------------------------	---

Coefficients for Heavy Duty Applications				
a	A2	B1	B2	Cf3
130	1.0	1.25	0.6	0.8

Time-Current Characteristics



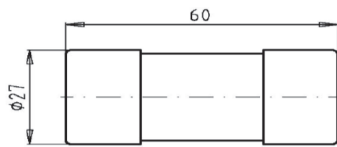
URDC UL E180276 Size 27x60mm	Rated Voltage [Un] 660V _{DC} /440V _{DC}	Rated Breaking Test Capacity 30kA	Class gR	Standard(s) Company Standard
---	--	---	--------------------	--

Rated Current I _n [A]	Without Indicator Article Number	UL rec	With 2.5N Striker ^a Article Number	Without Indicator 80mm Article Number	UL rec	Rated Voltage[U] [V]	Power Loss [W]	Pre-arcing i ² t [A ² s]	Total i ² t* @660V _{DC} [A ² s]
8	5019006.8	✓	5019106.8	5019206.8	✓	660V _{DC}	2.0	4	20
10	5019006.10	✓	5019106.10	5019206.10	✓	660V _{DC}	2.2	8	40
12	5019006.12	✓	5019106.12	5019206.12	✓	660V _{DC}	2.7	12	60
16	5019006.16	✓	5019106.16	5019206.16	✓	660V _{DC}	3.1	32	160
20	5019006.20	✓	5019106.20	5019206.20	✓	660V _{DC}	3.5	62	310
25	5019006.25	✓	5019106.25	5019206.25	✓	660V _{DC}	3.9	130	650
32	5019006.32	✓	5019106.32	5019206.32	✓	660V _{DC}	4.6	250	1 250
40	5019006.40	✓	5019106.40	5019206.40	✓	660V _{DC}	6.6	420	2 100
50	5019006.50	✓	5019106.50	5019206.50	✓	660V _{DC}	7.5	620	3 100
63	5019006.63	✓	5019106.63	5019206.63	✓	660V _{DC}	8.9	1 200	6 000
80	5019006.80	✓	5019106.80	5019206.80	✓	660V _{DC}	10.9	2 100	10 500
100	5019006.100	✓	5019106.100	5019206.100	✓	660V _{DC}	13.5	3 500	17 500
110	5019006.110	✓	5019106.110	5019206.110	✓	660V _{DC}	14.2	4 600	23 000
125	5019006.125		5019106.125	5019206.125		440V _{DC}	16.0	7 900	29 600
160	5019006.160		5019106.160	5019206.160		440V _{DC}	19.0	11 800	44 900

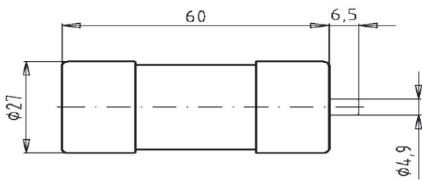
^aStriker minimum operating Voltage 10V

*L/R=10ms

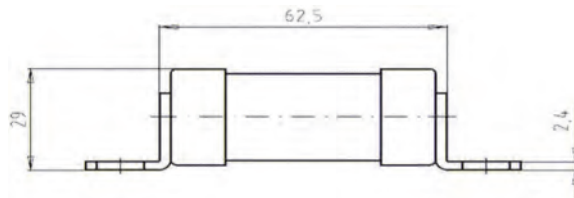
Weight [kg/1]		
0.09	0.10	0.11
Units per Package		
10		



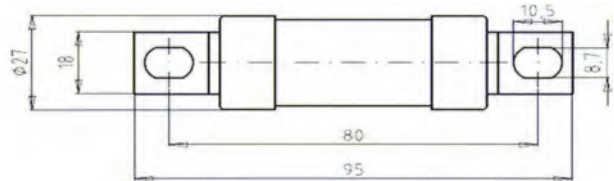
5019006



5019106




5019206



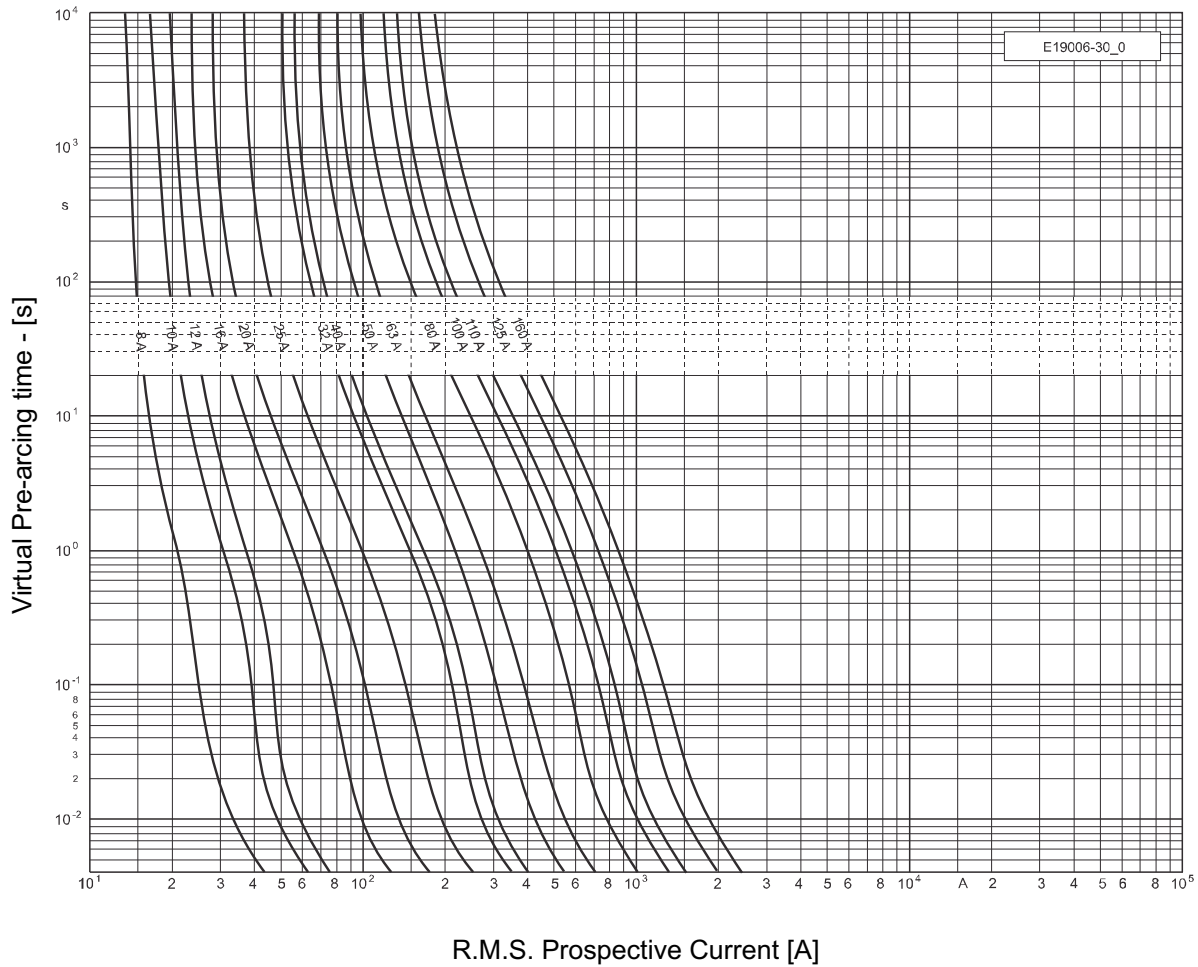
Accessories

Fuse Clips & Terminal Links	Page	Page
6100401.3 Fuse Clips Screw mounting	288	
6300201 Clamping plate for 6100401.3		

URDC  E180276 Size 27x60mm	Rated Voltage [Un] 660V _{DC} /440V _{DC}	Rated Breaking Test Capacity 30kA	Rated Breaking Test Voltage U _n	Class gR	Standard(s) Company Standard
---	--	---	--	--------------------	--

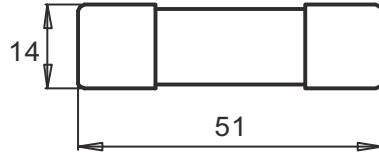
Coefficients for Heavy Duty Applications				
a	A2	B1	B2	Cf3
130	0.6	1.25	0.6	0.8

Time-Current Characteristics



URDC E180276	Rated Voltage [Un] 700V _{DC}	Rated Breaking Test Capacity 50kA	Class aR	Standard(s) UL 248-13
Size 14x51mm				


Rated Current I_n [A]	Without Indicator Article Number	UL rec	Power Loss [W]	Pre-arcing i^2t [A ² s]	Total i^2t^* @ 700V _{DC} [A ² s]
6	5011806.6	✓	1.3	2.0	12
8	5011806.8	✓	1.7	2.9	17
10	5011806.10	✓	2.6	3.9	25
12	5011806.12	✓	3.1	6.5	41
16	5011806.16	✓	4.7	8.0	52
20	5011806.20	✓	6.0	12	70
25	5011806.25	✓	7.6	20	130
30	5011806.30	✓	9.8	32	190
35	5011806.35		10.3	72	430
40	5011806.40		11.2	103	620
50	5011806.50		12.6	128	770
Weight [kg/1]					* (L/R=1ms)
0.022					
Units per Package					
10					



5011806

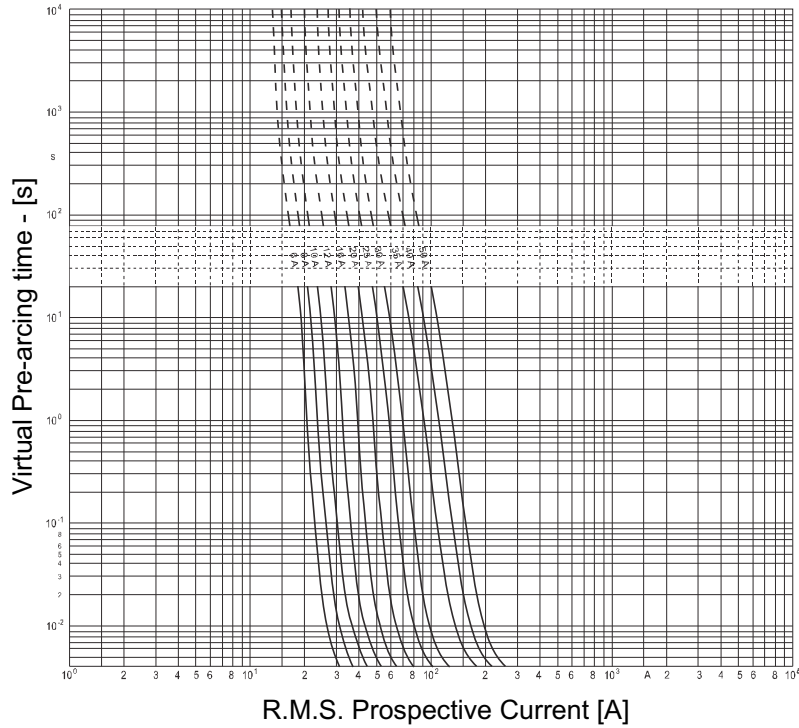
Accessories

Fuse Modules - DIN Rail Mounting w/Lockout Clip	Page	Fuse Clips	Page
5105805.1DC 1-Pole	282	6100101.2 Fuse Clips Screw mounting	287
5105805.1LDC 1-Pole w/neon lamp indicator		6301701 Clamping plate for 6100101.2	
5105805.2DC 2-Pole		5805806 Fuse Clips PCB mounting	
5105805.2LDC 2-Pole w/neon lamp indicator			
	 750V/50A E186970		

 URDC E180276 Size 14x51mm	Rated Voltage	Rated Breaking Test	Class	Standard(s)
	[Un] 700V _{DC}	Capacity 50kA	Voltage 700V _{DC}	aR UL 248-13

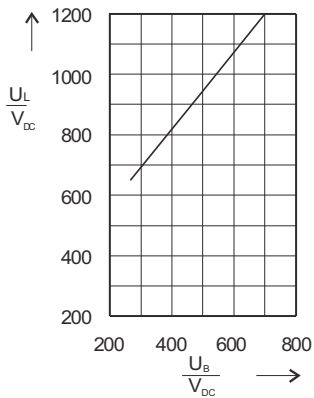
Coefficients for Heavy Duty Applications				
a	A2	B1	B2	Cf3
130	0.55	1.25	0.6	0.8

Time-Current Characteristics

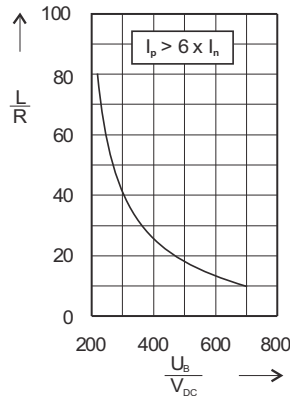


E11806- _

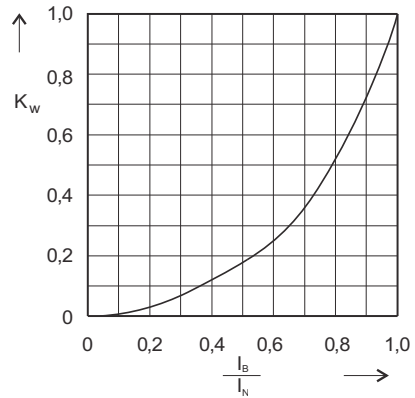
Arc voltage diagram



DC voltage reduction for L/R



Reduction factor for power loss



SIBA LLC

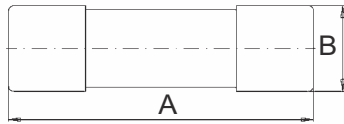
29 Fairfield Place
West Caldwell, New Jersey 07006

Phone 1-973-575-7422
Fax 1-973-575-5858

e-mail: info@sibafuse.com
www.siba-fuses.us

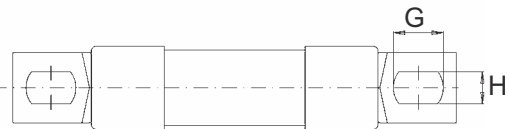
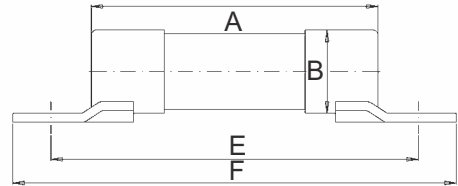
URDC C[®]RU[®]US E180276	Rated Voltage [Un] 700V _{DC}	Rated Breaking Test Capacity 30kA	Class aR	Standard(s) UL 248-13
Size 14x51mm				

Rated Current I _n [A]	Without Indicator Article Number	UL rec	Without Indicator 63mm Article Number	UL rec	Power Loss [W]	Pre-arcing I ² t [A ² s]	Total I ² t* @ 700V _{DC} [A ² s]
10	5020106.10	✓	5020206.10	✓	1.1	12	67
12	5020106.12	✓	5020206.12	✓	1.2	20	120
16	5020106.16	✓	5020206.16	✓	2.0	32	190
20	5020106.20	✓	5020206.20	✓	2.3	63	360
25	5020106.25	✓	5020206.25	✓	3.1	82	480
32	5020106.32	✓	5020206.32	✓	4.1	130	740
40	5020106.40	✓	5020206.40	✓	4.6	250	1 460
50	5020106.50	✓	5020206.50	✓	7.0	330	1 900
63	5020106.63	✓	5020206.63	✓	9.5	512	3 900
Weight [kg / 1]							*L/R=1ms
0.022							
Units per Package							
10							



5020106


Dimensions [in / mm]	
A	2.00 / 51
B	0.55 / 14
C	-
D	-
E	2.50 / 63.5
F	3.03 / 77
G	0.34 / 8.7



5020206

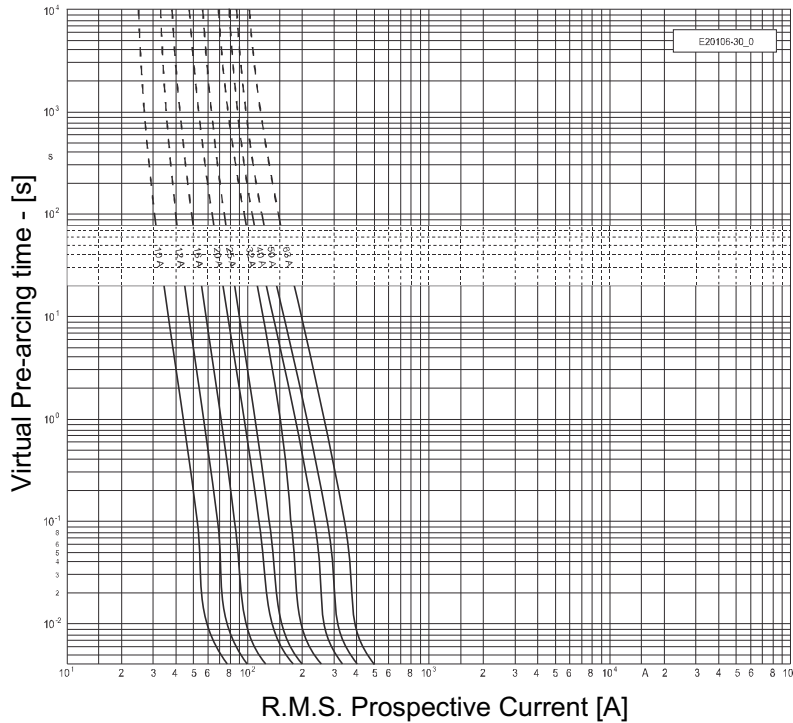
Accessories

Fuse Modules - DIN Rail Mounting w/Lockout Clip	Page	Fuse Clips	Page
5105805.1DC 1-Pole	282	6100101.2 Fuse Clips Screw mounting	287
5105805.1LDC 1-Pole w/neon lamp indicator		6301701 Clamping plate for 6100101.2	
5105805.2DC 2-Pole		5805806 Fuse Clips PCB mounting	
5105805.2LDC 2-Pole w/neon lamp indicator			
	 750V/50A E186970		

 E180276 Size 14x51mm	Rated Voltage	Rated Breaking Test	Class	Standard(s)
	[Un] 700V _{DC}	Capacity 30kA	Voltage 700V _{DC}	aR UL 248-13

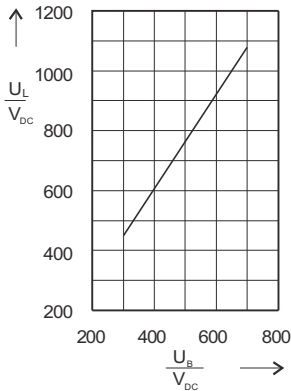
Coefficients for Heavy Duty Applications				
a	A2	B1	B2	Cf3
150	0.6	1.25	0.6	0.8

Time-Current Characteristics

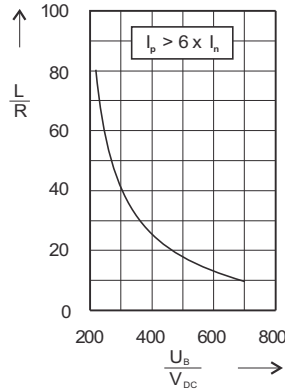


E21006-60_0

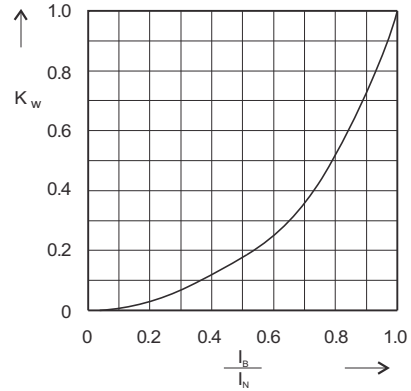
Arc voltage diagram



DC voltage reduction for L/R



Reduction factor for power loss



SIBA LLC

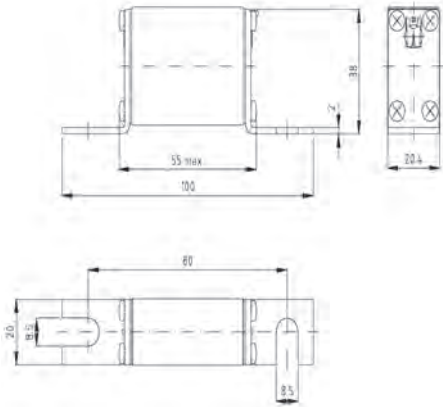
29 Fairfield Place
West Caldwell, New Jersey 07006

Phone 1-973-575-7422
Fax 1-973-575-5858

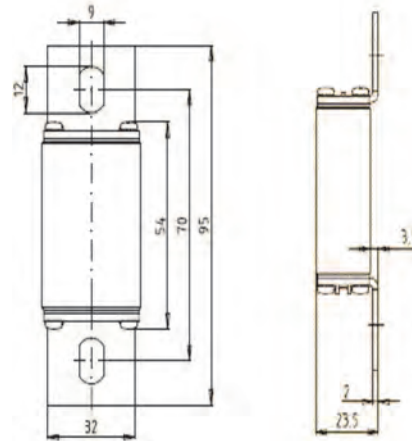
e-mail: info@sibafuse.com
www.siba-fuses.us

URDC E180276	Rated Voltage [Un] 700V _{DC}	Rated Breaking Test Capacity 30kA	Class aR	Standard(s) UL 248-13 VDE 0636 Part 40
	Fuse Links for Low Inductance			Applications

Rated Current I _n [A]	Without Indicator DIN 80 Article Number	UL rec	With Top Indicator DIN 80 Article Number	UL rec	With Top Indicator 70mm Article Number	Power Loss [W]	Pre-arcing i ² t [A ² s]	Total i ² t* @ 700V _{DC} [A ² s]
35	2029221.35	✓	2029220.35	✓	2025920.35	14	26	135
50	2029221.50	✓	2029220.50	✓	2025920.50	17	104	530
63	2029221.63	✓	2029220.63	✓	2025920.63	20	140	690
80	2029221.80	✓	2029220.80	✓	2025920.80	23	330	1 650
100	2029221.100	✓	2029220.100	✓	2025920.100	26	930	4 300
125	2029221.125	✓	2029220.125	✓	2025920.125	30	1 400	6 400
160	2029221.160	✓	2029220.160	✓	2025920.160	35	1 950	8 000
200	2029221.200	✓	2029220.200	✓	2025920.200	40	3 740	16 000
250	2029221.250	✓	2029220.250	✓	2025920.250	45	5 580	22 900
315	2029221.315	✓	2029220.315	✓	2025920.315	51	12 300	46 000
Weight [kg/1]								* (L/R=1ms)
0.17								
Units per Package								
3								




2029221 / 2029220



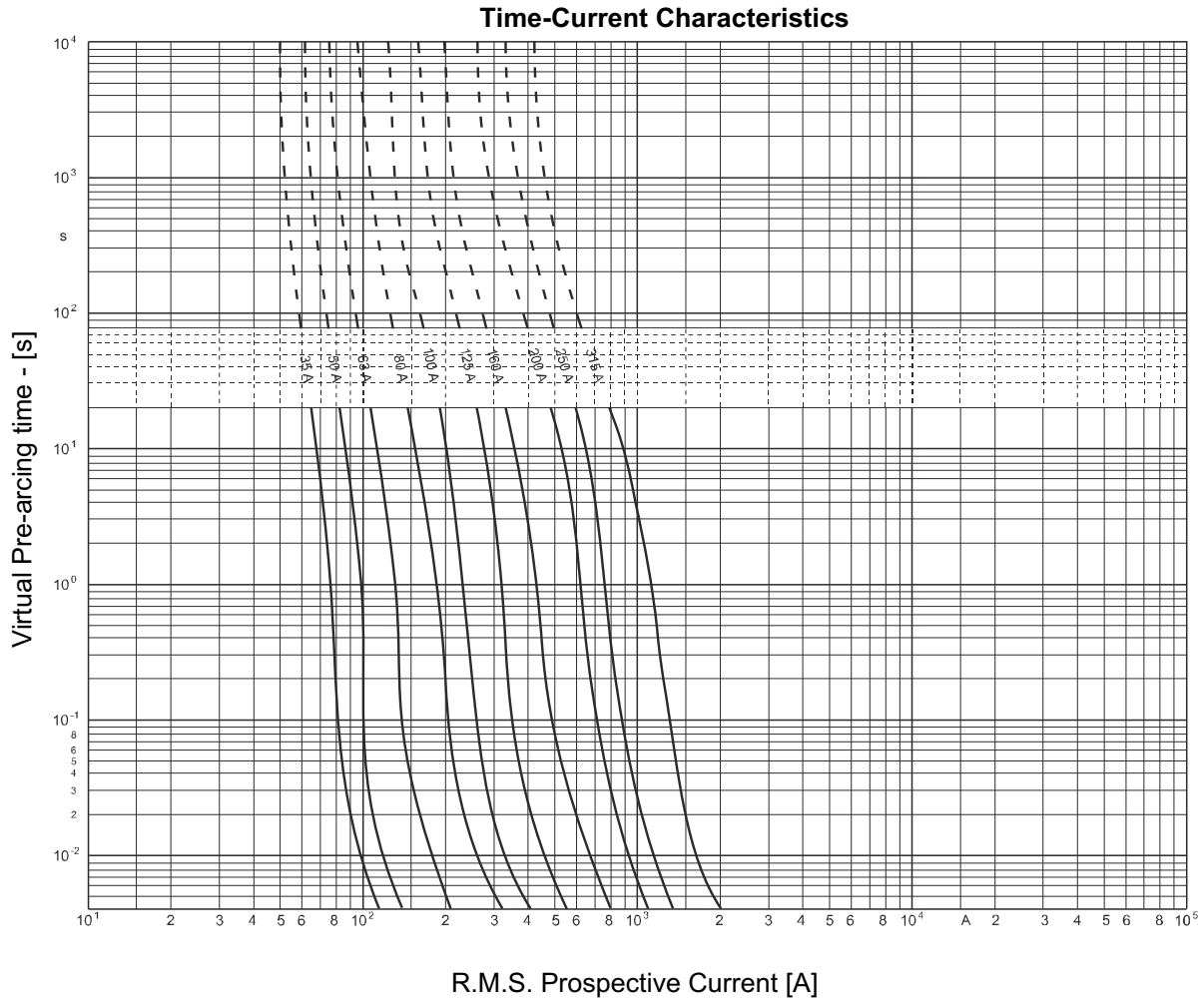
2025920

Accessories

Fuse Bases	Page	 E186970
2118901	284	
2118908		
2118911		
Fuse Base 1-Pole		

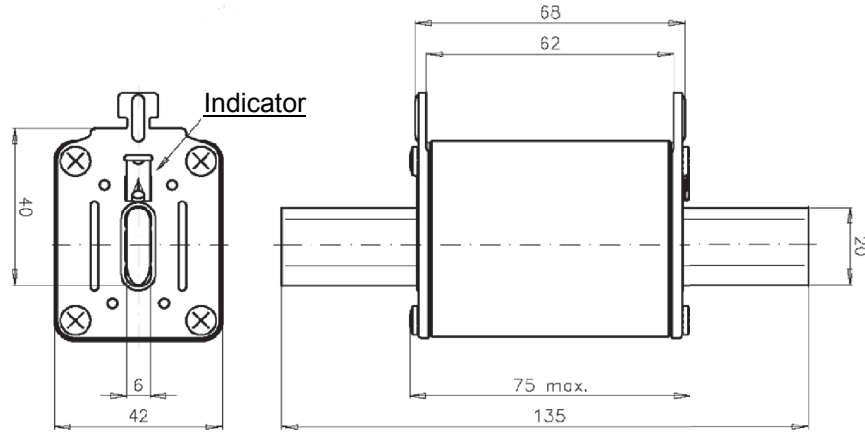
 E180276 Size NH000 - DIN 80	Rated Voltage	Rated Breaking Test Capacity	Class	Standard(s)
	[Un] 700V _{DC}	30kA	aR	UL 248-13 VDE 0636 Part 40
		Fuse Links for Low Inductance Applications		

Coefficients for Heavy Duty Applications				
a	A2	B1	B2	Cf3
130	0.6	1.25	0.6	0.8



URDC	Rated Voltage [Un] 750V _{DC}	Rated Breaking Test Capacity 50kA	Class gR	Standard(s) Company Standard
-------------	--	--	--------------------	--

Size NH1		Rated Current I _n [A]	With Top Indicator Article Number	Power Loss [W]	Pre-arcing i ² t [A ² s]	Total i ² t* @ 750V _{DC} [A ² s]
		32	2055604.32	5.9	100	800
		40	2055604.40	7.1	180	1 400
		50	2055604.50	8.6	290	2 200
		63	2055604.63	10	410	3 200
		80	2055604.80	12	740	5 700
		100	2055604.100	15	1 300	10 000
		125	2055604.125	19	2 500	19 000
		160	2055604.160	23	3 700	29 000
	Weight [kg/1]					* (L/R=1ms)
	0.37					
	Units per Package					
	3					



2055604

Accessories

Fuse Base		Page	Microswitch (Red Hammer)		Page
2155601	1-Pole,	281	2800202	Standard Level	278
			2800204	Low Level	

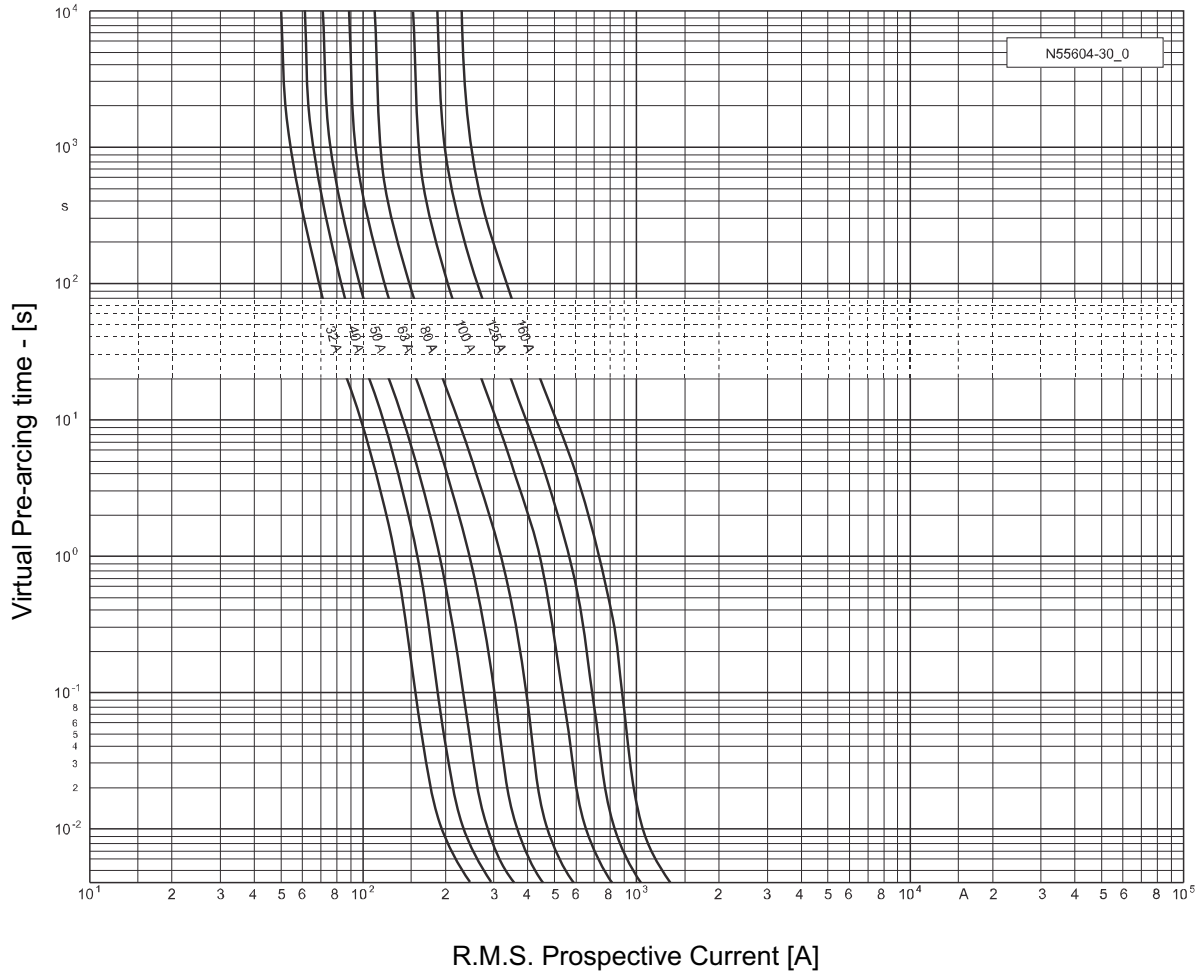



FUSES

URDC	Rated Voltage [Un] 700V _{DC}	Rated Breaking Test Capacity 50kA	Class gR	Standard(s) Company Standard
Size NH1				

Coefficients for Heavy Duty Applications				
a	A2	B1	B2	Cf3
130	0.6	1.3	0.6	0.8

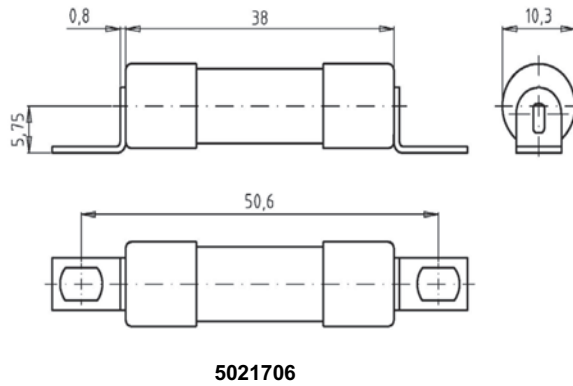
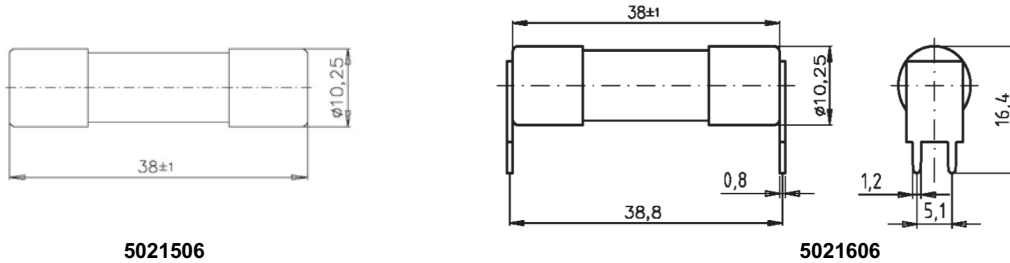
Time-Current Characteristics



 URDC E180276 Size 10x38mm	Rated Voltage	Rated Breaking Test	Class	Standard(s)
	[Un] 1000V _{DC}	Capacity 30kA(L/R=1ms)	Voltage 1000V _{DC}	gR UL 248-13


Rated Current I _n [A]	Without Indicator Article Number	UL rec	Without Indicator PCB Article Number	UL rec	Without Indicator 50.6mm Article Number	UL rec	Power Loss [W]	Pre-arcing i ² t [A ² s]	Total i ² t* @ 1000V _{DC} [A ² s]
4	5021506.4	✓	5021606.4	✓	5021706.4	✓	0.5	3	25
6	5021506.6	✓	5021606.6	✓	5021706.6	✓	0.7	5	40
8	5021506.8	✓	5021606.8	✓	5021706.8	✓	1.1	7	55
10	5021506.10	✓	5021606.10	✓	5021706.10	✓	1.5	10	77
12	5021506.12	✓	5021606.12	✓	5021706.12	✓	1.6	20	155
16	5021506.16	✓	5021606.16	✓	5021706.16	✓	2.1	30	230
20	5021506.20	✓	5021606.20	✓	5021706.20	✓	2.5	52	395

Weight [kg/1]									* (L/R=10ms)
0.009									
Units per Package									
10									



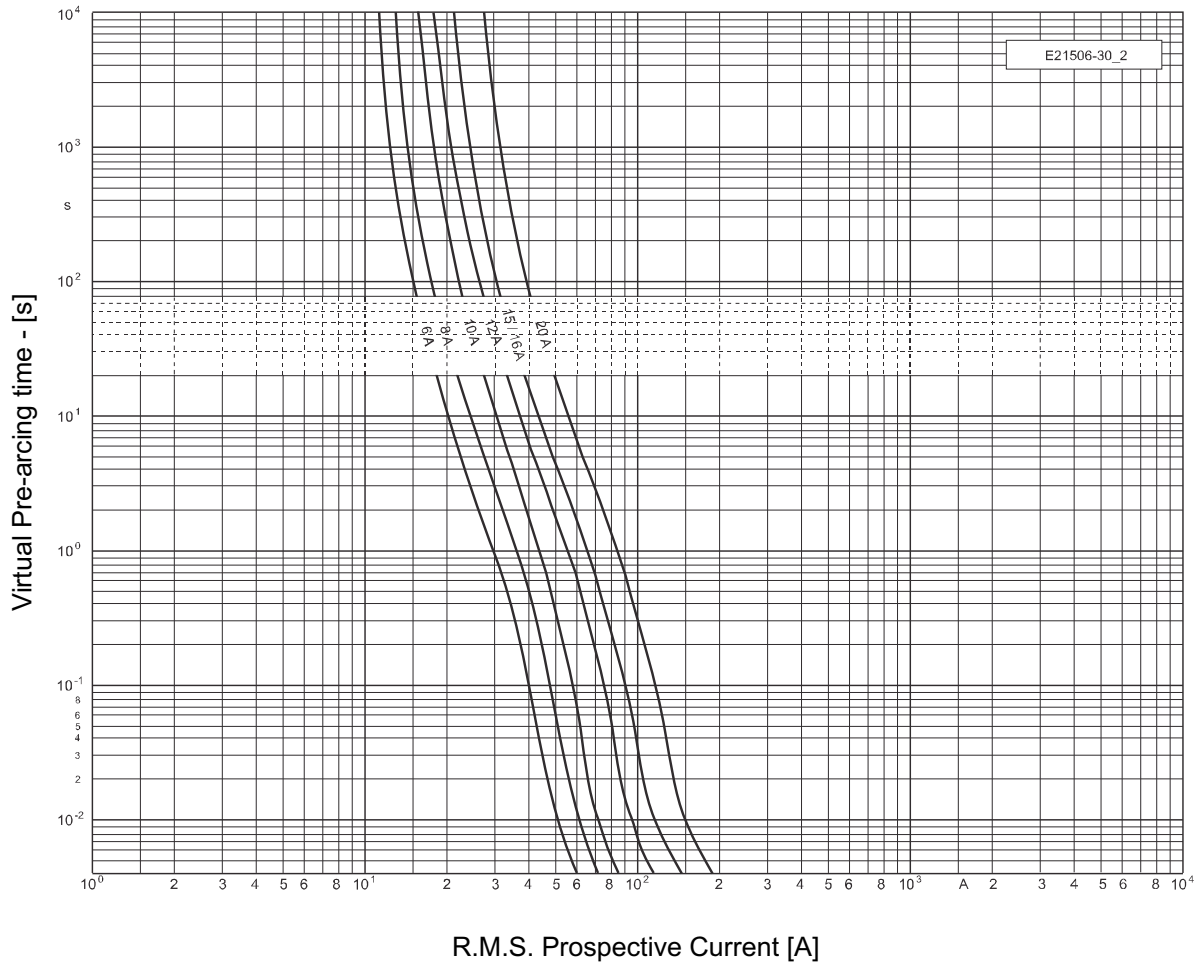
Accessories

Fuse Module -DIN Rail Mounting		Page	Fuse Clips		Page
5106304.DC	1-Pole w/neon lamp indicator	281	5806316	Fuse Clips PCB mounting	286
5106304.2DC	2-Pole		5806319	Fuse Clips PCB mounting	
		58063 7	Fuse Clips Screw Mounting		
		6101701.3	Terminal Link		

 E180276 Size 10x38mm	Rated Voltage	Rated Breaking Test	Class	Standard(s)
	[Un]	Capacity	Voltage	gR
	1000V _{DC}	30kA(L/R=1ms)	1000V _{DC}	

Coefficients for Heavy Duty Applications				
a	A2	B1	B2	Cf3
130	0.9	1.25	0.5	0.8

Time-Current Characteristics

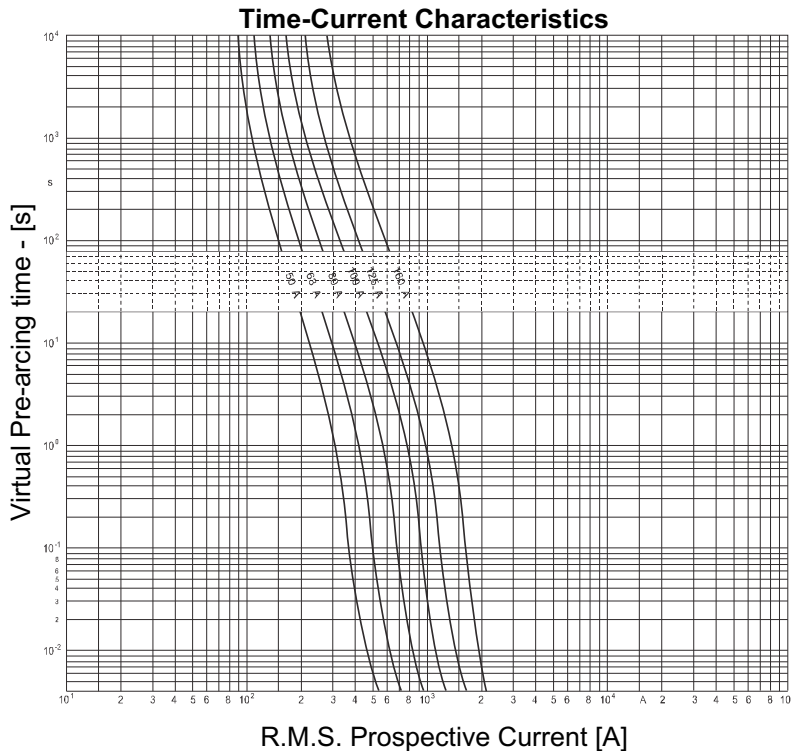


URDC	Rated Voltage [Un] 900V _{DC}	Rated Breaking Test Capacity 30kA(L/R=30ms) 100kA(L/R=40ms) 100kA(L/R=100ms)	Rated Breaking Test Voltage 1000V _{DC} 900V _{DC} 750V _{DC}	Class gR	Standard(s) IEC 60 077-5 UIC 550 VDE 0115 Part 460-5
Size SQB-DC90					

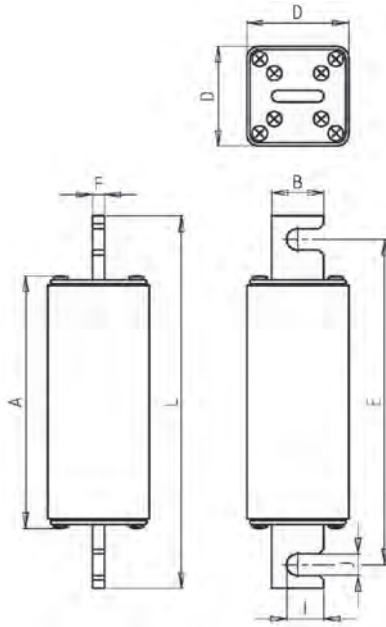
Rated Current I _n [A]	Without Indicator Article Number	With Microswitch Adapter Article Number	Without Indicator Article Number	With Microswitch Adapter Article Number	Power Loss [W]	Pre-arcing i ² t [A ² s]	Total i ² t* @ 1000V _{DC} [A ² s]
50	9030020.50	9030021.50	9035020.50	9035021.50	11	480	3 200
63	9030020.63	9030021.63	9035020.63	9035021.63	13	900	6 200
80	9030020.80	9030021.80	9035020.80	9035021.80	16	1 900	13 000
100	9030020.100	9030021.100	9035020.100	9035021.100	19	3 600	24 500
125	9030020.125	9030021.125	9035020.125	9035021.125	24	6 600	45 000
160	9030020.160	9030021.160	9035020.160	9035021.160	31	11 200	76 500

Bladed Contacts		Threaded Contacts		
Weight [kg/1]				
0.8		0.7		
Units per Package				
1				

Coefficients for Heavy Duty Applications					
a	A2	B1	B2	Cf3	
130	0.6	1.25	0.5	0.8	



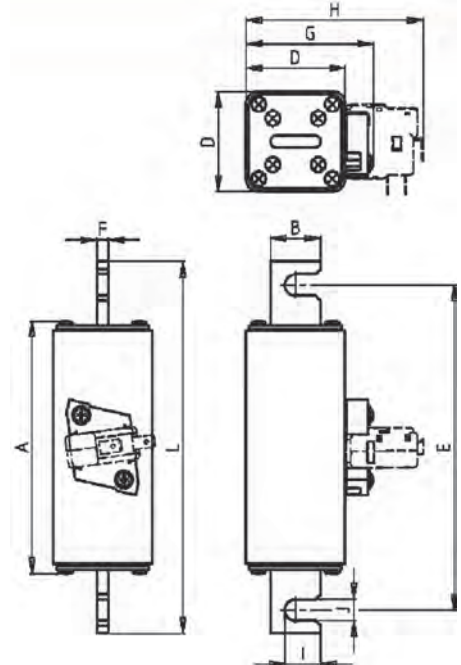
URDC	Rated Voltage	Rated Breaking Test	Class	Standard(s)
	[Un] 900V _{DC}	Capacity 30kA(L/R=30ms) 1000V _{DC} 100kA(L/R=40ms) 900V _{DC} 100kA(L/R=100ms) 750V _{DC}	gR	IEC 60 077-5 UIC 550 VDE 0115 Part 460-5
Size SQB-DC90				



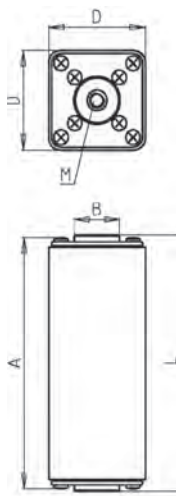
9030020

Dimensions [in / mm]		
9030020		9030021
4.88 / 124	A	4.88 / 124
0.79 / 20	B	0.79 / 20
1.69 / 43	D	1.69 / 43
6.14 / 156	E	6.14 / 156
0.24 / 6	F	0.24 / 6
—	G	2.28 / 58
—	H	3.27 / 83
0.43 / 11	I	0.43 / 11
0.43 / 11	J	0.43 / 11
7.13 / 181	L	7.13 / 181

Accessories
B & M Microswitches
278 - 280

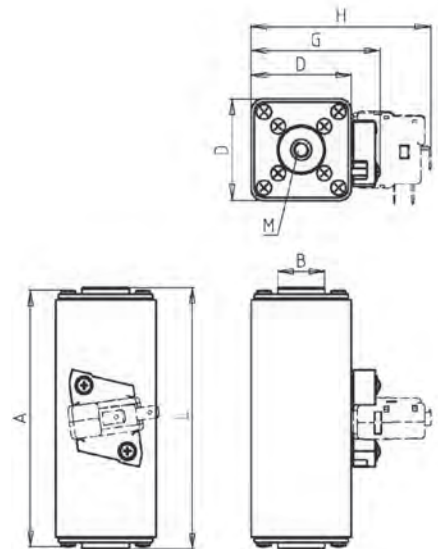


9030021



9035020

Dimensions [in / mm]		
9035020		9035021
4.88 / 124	A	4.88 / 124
0.79 / 20	B	0.79 / 20
1.69 / 43	D	1.69 / 43
—	G	2.28 / 58
—	H	3.27 / 83
4.96 / 126	L	4.96 / 126
M8	M	M8
Thread Depth 0.39 / 10		
Maximum Torque 22N•m 16.2lb•ft		

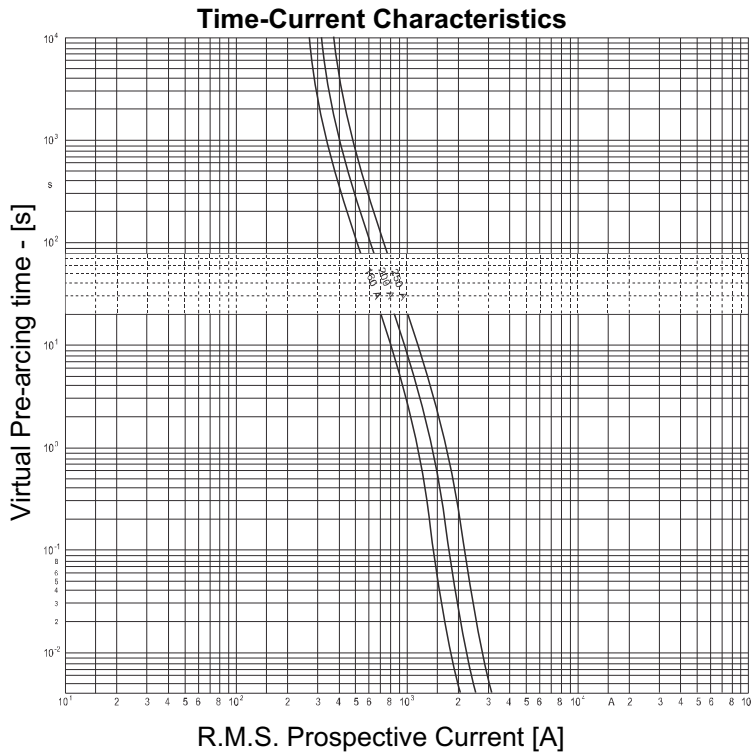


9035021

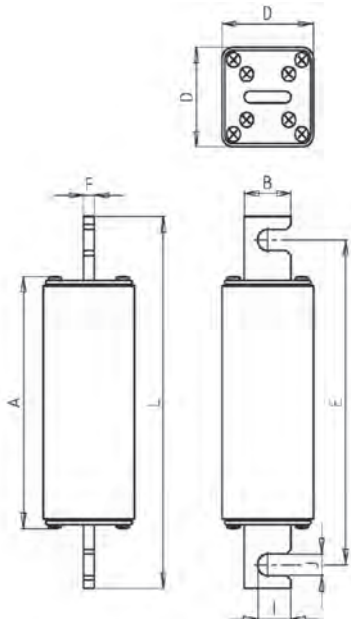
URDC	Rated Voltage [Un] 900V _{DC}	Rated Breaking Test Capacity 30kA(L/R=30ms) 100kA(L/R=40ms) 100kA(L/R=100ms)	Rated Breaking Test Voltage 1000V _{DC} 900V _{DC} 750V _{DC}	Class gR	Standard(s) IEC 60 077-5 UIC 550 VDE 0115 Part 460-5
Size SQB-DC91					

Rated Current I _n [A]	Without Indicator Article Number	With Microswitch Adapter Article Number	Without Indicator Article Number	With Microswitch Adapter Article Number	Power Loss [W]	Pre-arcing i ² t [A ² s]	Total i ² t* @ 1000V _{DC} [A ² s]
160	9031020.160	9031021.160	9036020.160	9036021.160	28	9 500	51 000
200	9031020.200	9031021.200	9036020.200	9036021.200	37	17 000	116 000
250	9031020.250	9031021.250	9036020.250	9036021.350	45	27 000	184 000
Bladed Contacts			Threaded Contacts		* (L/R=10ms)		
Weight [kg/1]							
1.2		1.1					
Units per Package							
1							

Coefficients for Heavy Duty Applications					
a	A2	B1	B2	Cf3	
130	0.6	1.25	0.5	0.8	



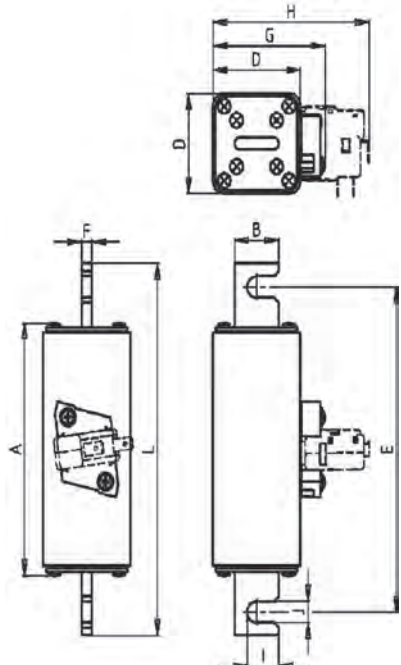
URDC	Rated Voltage	Rated Breaking Test	Class	Standard(s)
	[Un] 900V _{DC}	Capacity 30kA(L/R=30ms) 100kA(L/R=40ms) 100kA(L/R=100ms)	gR Voltage 1000V _{DC} 900V _{DC} 750V _{DC}	IEC 60 077-5 UIC 550 VDE 0115 Part 460-5
Size SQB-DC91				



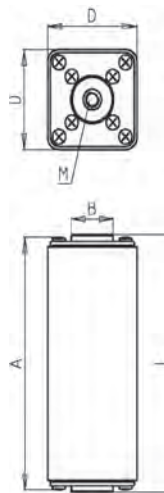
9031020

Dimensions		
[in / mm]		
9031020		9031021
5.08 / 129	A	5.08 / 129
1.02 / 26	B	1.02 / 26
2.01 / 51	D	2.01 / 51
6.54 / 166	E	6.54 / 166
0.24 / 6	F	0.24 / 6
—	G	2.60 / 66
—	H	3.58 / 91
0.73 / 18.5	I	0.73 / 18.5
0.43 / 11	J	0.43 / 11
7.48 / 190	L	7.48 / 190

Accessories
B & M Microswitches
278 - 280

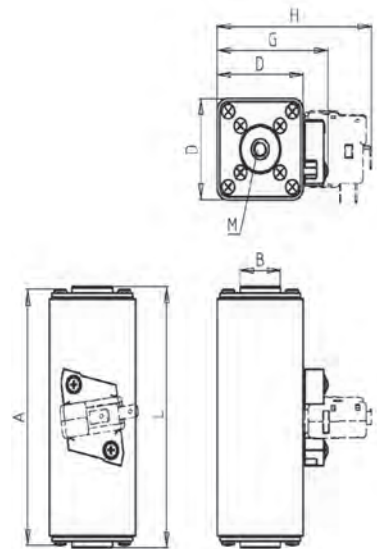


9031021



9036020

Dimensions		
[in / mm]		
9036020		9036021
5.08 / 129	A	5.08 / 129
0.94 / 22	B	0.94 / 22
2.01 / 51	D	2.01 / 51
—	G	2.60 / 66
—	H	3.58 / 91
5.18 / 131.5	L	5.18 / 131.5
M10	M	M10
Thread Depth 0.43 / 11		
Maximum Torque 39N•m 28.7lb•ft		



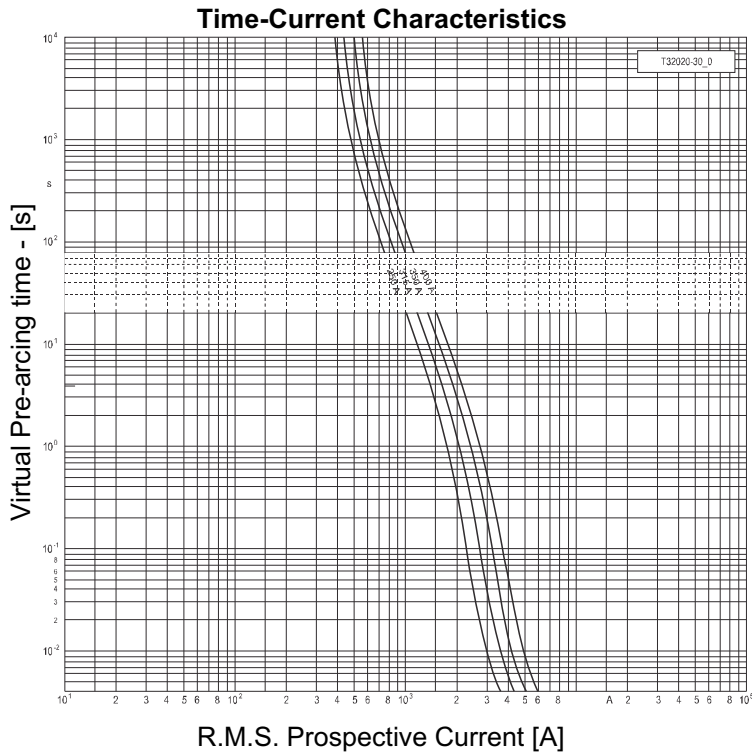
9036021

URDC	Rated Voltage [Un] 900V _{DC}	Rated Breaking Test Capacity 30kA(L/R=30ms) 100kA(L/R=40ms) 100kA(L/R=100ms)	Rated Breaking Test Voltage 1000V _{DC} 900V _{DC} 750V _{DC}	Class gR	Standard(s) IEC 60 077-5 UIC 550 VDE 0115 Part 460-5
Size SQB-DC92					

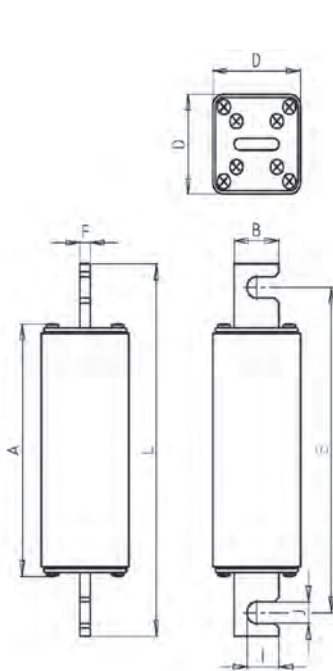
Rated Current I _n [A]	Without Indicator Article Number	With Microswitch Adapter Article Number	Without Indicator Article Number	With Microswitch Adapter Article Number	Power Loss [W]	Pre-arcing i ² t [A ² s]	Total i ² t* @ 1000V _{DC} [A ² s]
250	9032020.250	9032021.250	9037020.250	9037021.250	48	21 500	141 000
315	9032020.315	9032021.315	9037020.315	9037021.315	57	38 000	249 000
350	9032020.350	9032021.350	9037020.350	9037021.350	61	57 100	374 000
400	9032020.400	9032021.400	9037020.400	9037021.400	67	79 800	522 000
Bladed Contacts			Threaded Contacts				
Weight [kg/1]							
1.36			1.26				
Units per Package							
1							

* (L/R=10ms)

Coefficients for Heavy Duty Applications					
a	A2	B1	B2	Cf3	
130	0.6	1.25	0.5	0.8	



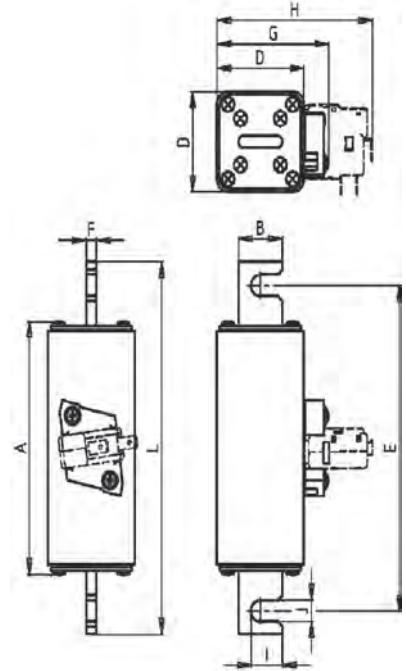
URDC	Rated Voltage	Rated Breaking Test	Class	Standard(s)
	[Un] 900V _{DC}	Capacity 30kA(L/R=30ms) 100kA(L/R=40ms) 100kA(L/R=100ms)	Voltage 1000V _{DC} 900V _{DC} 750V _{DC}	gR IEC 60 077-5 UIC 550 VDE 0115 Part 460-5
Size SQB-DC92				



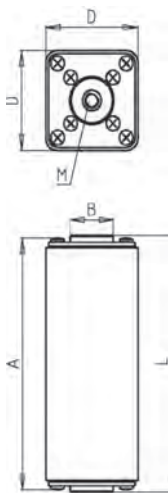
9032020

Dimensions [in / mm]		
9032020		9032021
5.08 / 129	A	5.08 / 129
1.02 / 26	B	1.02 / 26
2.36 / 60	D	2.36 / 60
6.73 / 171	E	6.73 / 171
0.24 / 6	F	0.24 / 6
—	G	2.95 / 75
—	H	3.94 / 100
0.77 / 19.5	I	0.77 / 19.5
0.51 / 13	J	0.51 / 13
8.11 / 206	L	8.11 / 206

Accessories
B & M Microswitches
278 - 280

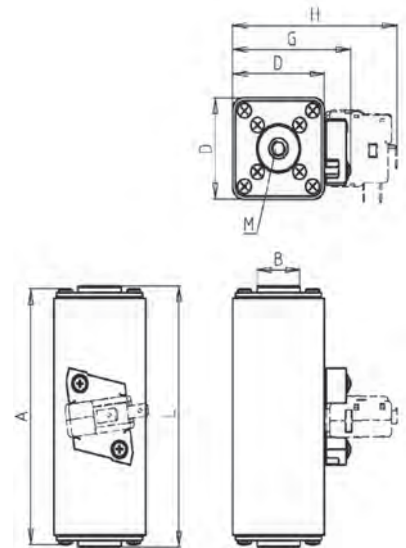


9032021



9037020

Dimensions [in / mm]		
90 370 20		90 370 21
5.08 / 129	A	5.08 / 129
0.94 / 24	B	0.94 / 24
2.36 / 60	D	2.36 / 60
—	G	2.95 / 75
—	H	3.94 / 100
5.18 / 131.5	L	5.18 / 131.5
M10	M	M10
Thread Depth 0.43 / 11		
Maximum Torque 39N•m 28.7lb•ft		

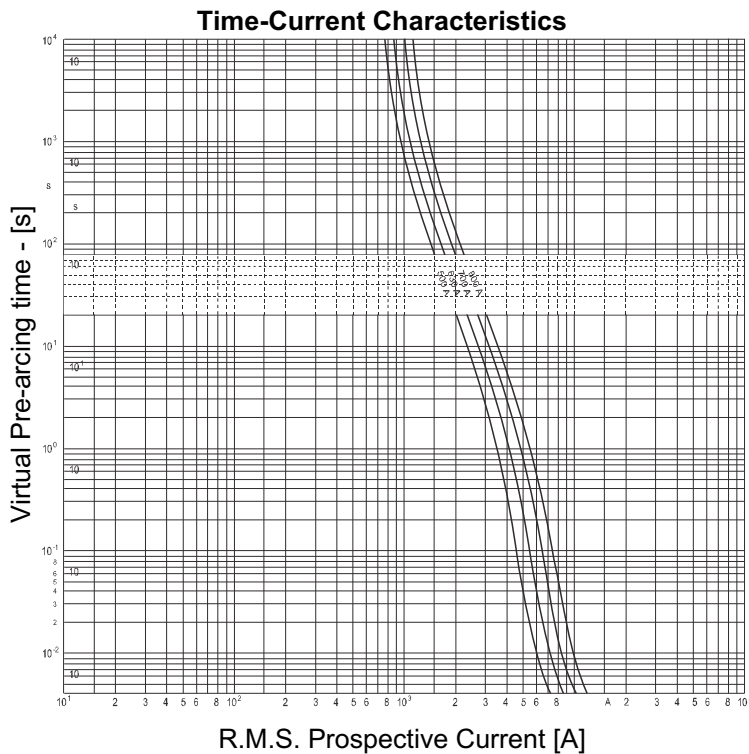


9037021

URDC	Rated Voltage [Un] 900V _{DC}	Rated Breaking Test Capacity 30kA(L/R=30ms) 100kA(L/R=40ms) 100kA(L/R=100ms)	Rated Breaking Test Voltage 1000V _{DC} 900V _{DC} 750V _{DC}	Class gR	Standard(s) IEC 60 077-5 UIC 550 VDE 0115 Part 460-5
Size SQB-DC92-2					

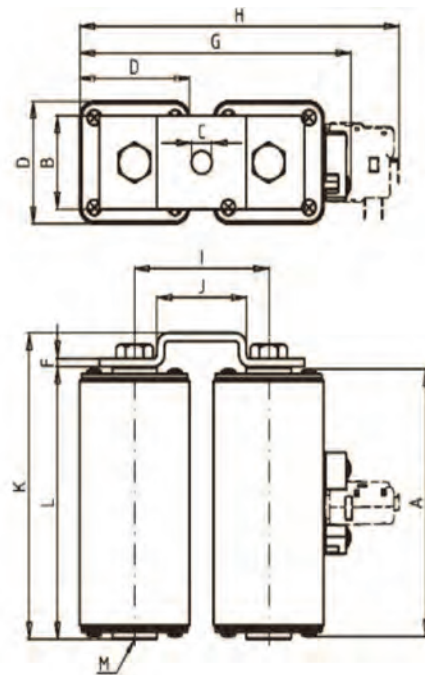
Rated Current I_n [A]	With Microswitch Adapter Article Number		Power Loss [W]	Pre-arcing i^2t [A ² s]	Total i^2t^* @ 1000V _{DC} [A ² s]
500	9037821.500		96	86 000	564 000
630	9037821.630		114	152 000	996 000
700	9037821.700		122	228 400	1 496 000
800	9037821.800		134	319 200	2 088 000
	Weight [kg/1]				* (L/R=10ms)
	2.59				
	Units per Package				
	1				

Coefficients for Heavy Duty Applications					
a	A2	B1	B2	Cf3	
130	0.6	1.25	0.5	0.8	



URDC	Rated Voltage [Un] 900V _{DC}	Rated Breaking Test Capacity 30kA(L/R=30ms) 100kA(L/R=40ms) 100kA(L/R=100ms)	Test Voltage 1000V _{DC} 900V _{DC} 750V _{DC}	Class gR	Standard(s) IEC 60 077-5 UIC 550 VDE 0115 Part 460-5
Size SQB-DC92-2					

Dimensions [in / mm]	
A	5.08 / 129
B	1.77 / 45
C	0.43 / 11
D	2.36 / 60
F	0.16 / 4
G	5.79 / 147
H	6.77 / 172
I	2.83 / 72
J	1.89 / 48
K	5.81 / 147.6
L	5.18 / 131.5
M	M10 Thread Depth 0.43 / 11 Maximum Torque 39N•m 28.7lb•ft



9037821

Accessories
B & M Microswitches
278 -280

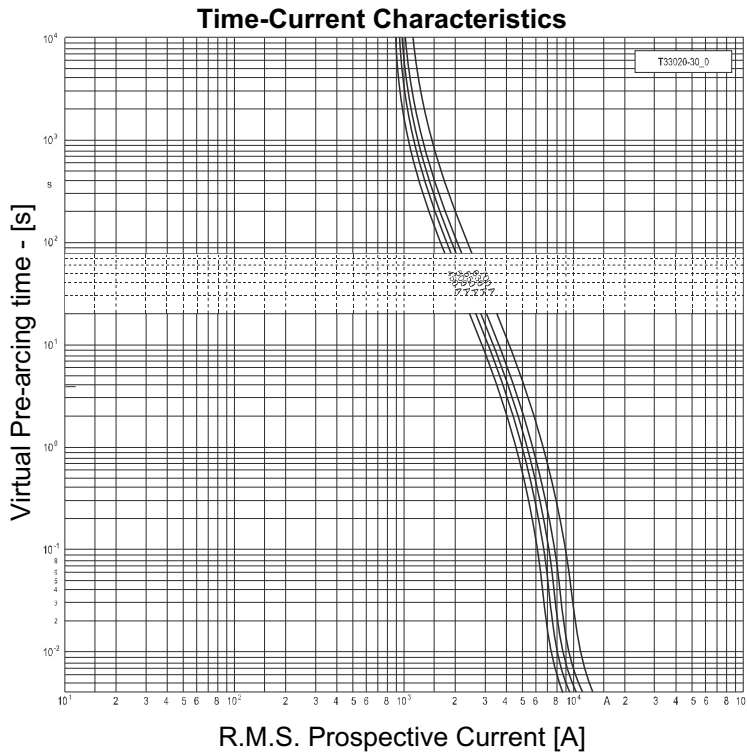
URDC	Rated Voltage [Un] 900V _{DC}	Rated Breaking Test Capacity 30kA(L/R=30ms) 100kA(L/R=40ms) 100kA(L/R=100ms)	Rated Breaking Test Voltage 1000V _{DC} 900V _{DC} 750V _{DC}	Class gR	Standard(s) IEC 60 077-5 UIC 550 VDE 0115 Part 460-5
Size SQB-DC93					

Rated Current I _n [A]	Without Indicator Article Number	With Microswitch Adapter Article Number	Without Indicator Article Number	With Microswitch Adapter Article Number	Power Loss [W]	Pre-arcing i ² t [A ² s]	Total i ² t* (L/R=10ms) [A ² s]
450	9033020.450	9033021.450	9038020.450	9038021.450	75	106 000	691 000*
500	9033020.500	9033021.500	9038020.500	9038021.500	86	129 000	835 000*
550	9033020.550	9033021.550	9038020.550	9038021.550	97	153 000	1 357 000**
630	9033020.630	9033021.630	9038020.630	9038021.630	112	180 000	1 615 000**
700	9033020.700	9033021.700	9038020.700	9038021.700	127	240 000	2 150 000**

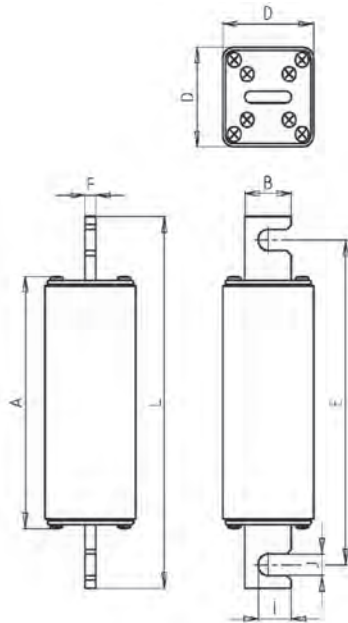
Bladed Contacts		Threaded Contacts	
Weight [kg/1]			
2.06		1.96	
Units per Package			
1			

* @ 1000V_{DC}
** @ 900V_{DC}

Coefficients for Heavy Duty Applications				
a	A2	B1	B2	Cf3
130	0.6	1.25	0.5	0.8



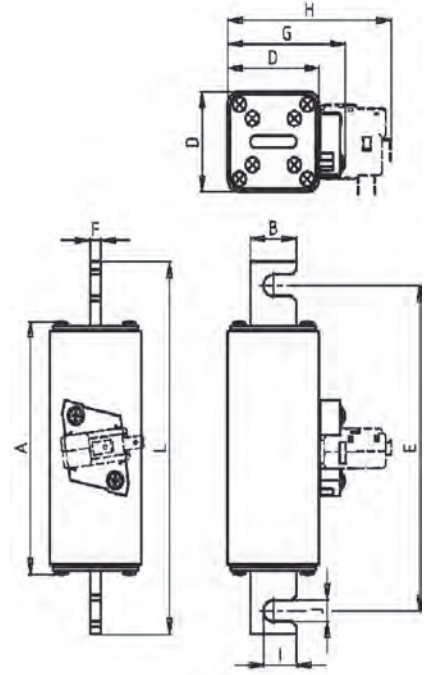
URDC	Rated Voltage	Rated Breaking Test	Class	Standard(s)
	[Un] 900V _{DC}	Capacity 30kA(L/R=30ms) 100kA(L/R=40ms) 100kA(L/R=100ms)	Voltage 1000V _{DC} 900V _{DC} 750V _{DC}	gR IEC 60 077-5 UIC 550 VDE 0115 Part 460-5
Size SQB-DC93				



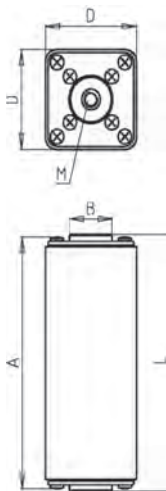
9033020

Dimensions		
[in / mm]		
9033020		9033021
5.14 / 130.5	A	5.14 / 130.5
1.38 / 35	B	1.38 / 35
2.87 / 73	D	2.87 / 73
6.73 / 171	E	6.73 / 171
0.24 / 6	F	0.24 / 6
—	G	3.46 / 88
—	H	4.45 / 113
0.94 / 24	I	0.94 / 24
0.51 / 13	J	0.51 / 13
8.11 / 206	L	8.11 / 206

Accessories
B & M Microswitches
278 -280

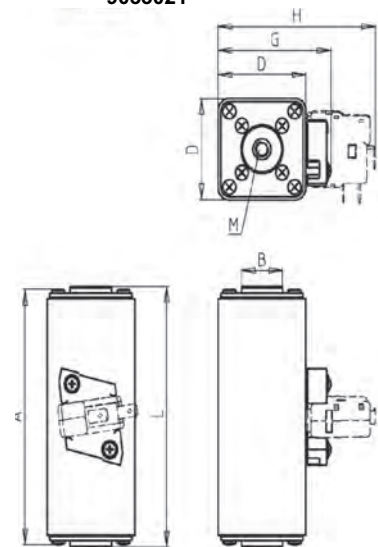


9033021



9038020

Dimensions		
[in / mm]		
90 380 20		90 380 21
5.14 / 130.5	A	5.14 / 130.5
1.10 / 28	B	1.10 / 28
2.87 / 73	D	2.87 / 73
—	G	3.46 / 88
—	H	4.45 / 113
5.18 / 131.5	L	5.18 / 131.5
M12	M	M12
Thread Depth 0.51 / 13		
Maximum Torque 52N•m 38.3lb•ft		



9038021

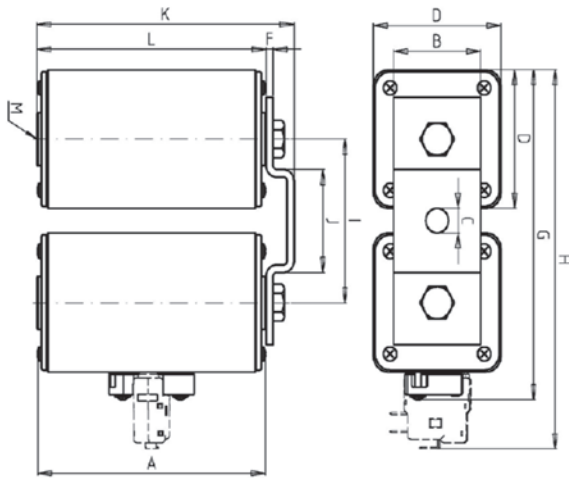
URDC	Rated Voltage [Un] 900V _{DC}	Rated Breaking Test Capacity 30kA(L/R=30ms) 100kA(L/R=40ms) 100kA(L/R=100ms)	Class gR	Standard(s) IEC 60 077-5 UIC 550 VDE 0115 Part 460-5
Size SQB-DC93-2				

Rated Current I _n [A]	With Microswitch Adapter Article Number	Power Loss [W]	Pre-arcing i ² t [A ² s]	Total i ² t* (L/R=10ms) [A ² s]
900	9038821.900	150	424 000	2 764 000*
1000	9038821.1000	172	516 000	3 340 000*
1100	9038821.1100	194	612 000	5 428 000**
1250	9038821.1250	224	720 000	6 460 000**
1400	9038821.1400	254	960 000	8 600 000**

Weight [kg/1]	4.04
Units per Package	1

Coefficients for Heavy Duty Applications					
a	A2	B1	B2	Cf3	
130	0.6	1.25	0.5	0.8	

* @ 1000V_{DC}
** @ 900V_{DC}

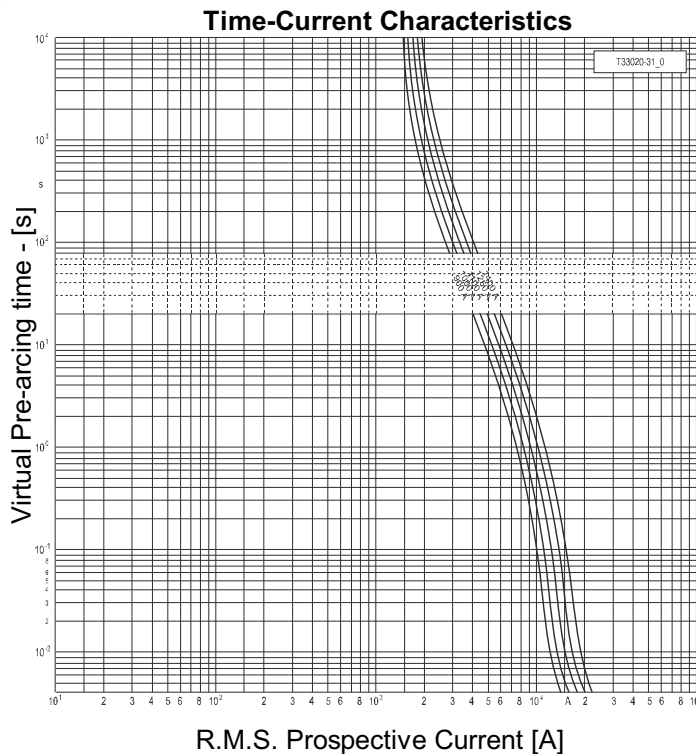


9038821

Dimensions [in / mm]	
A	5.14 / 130.5
B	1.97 / 50
C	0.51 / 13
D	2.87 / 73
F	0.16 / 4
G	6.85 / 174
H	7.83 / 199
I	3.39 / 86
J	2.13 / 54
K	5.81 / 147.6
L	5.18 / 131.5
M	M12
Thread Depth 0.51 / 13	

Maximum Torque
52N•m
38.3lb•ft

Accessories
B & M Microswitches
287 - 289

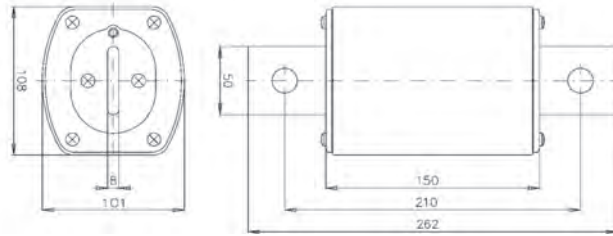


URDC	Rated Voltage [Un] 1000V _{DC}	Rated Breaking Test Capacity 40kA	Class gF	Standard(s) IEC 60 077-5 UIC 550
-------------	---	---	--------------------	---

Size NH4

Rated Current I_n [A]	Without Indicator Article Number	Power Loss [W]	Pre-arcing I^2t [A ² s]	Total I^2t^* @ 1000V _{DC} [A ² s]
500	9008310.500	—	250 000	750 000
550	9008310.550	—	330 000	980 000
630	9008310.630	—	480 000	1 400 000
700	9008310.700	—	695 000	2 000 000
800	9008310.800	—	1 030 000	2 900 000

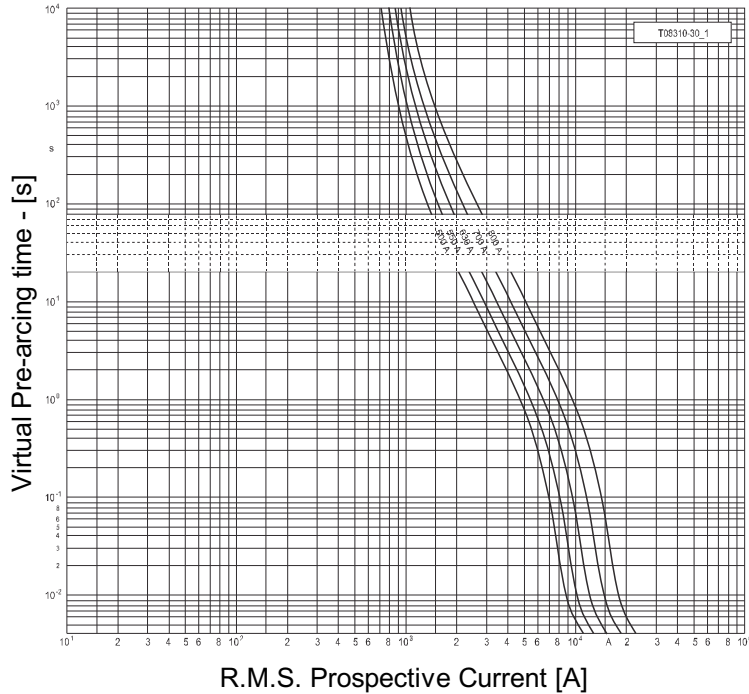
Weight [kg/1]	3.9
Units per Package	1



9008310

Coefficients for Heavy Duty Applications				
a	A2	B1	B2	Cf3
130	0.6	1.25	0.6	0.8

Time-Current Characteristics



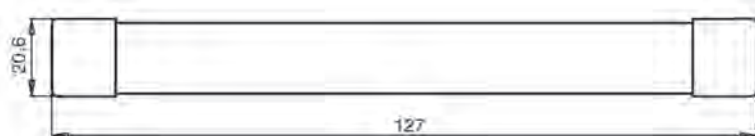
URDC	Rated Voltage [Un] 1000V _{DC}	Rated Breaking Test Capacity 100kA	Class aR/gR	Standard(s) EN IEC 60269-4 DIN VDE-0636 Part 4I
-------------	---	---	-----------------------	--

Size 20x127mm

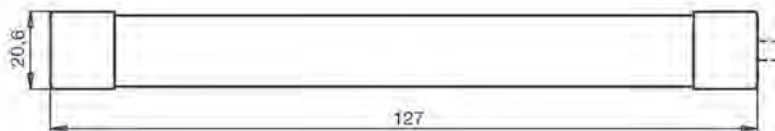
Rated Current I _n [A]	Article Number		Article Number		Power Loss [W]	Pre-arcing i ² t [A ² s]	Total i ² t* @ 1000V _{DC} [A ² s]
Without Indicator							
3.15	9008010.3.15	aR	9008210.3.15	aR	4.1	2	13
With Indicator With Striker							
6	9008010.6	gR	9008210.6	gR	3.0	3	17
8	9008010.8	gR	9008210.8	gR	3.2	7	42
10	9008010.10	gR	9008210.10	gR	3.4	13	75
12	9008010.12	gR	9008210.12	gR	4.6	20	120
16	9008010.16	gR	9008210.16	gR	5.7	52	300
20	9008010.20	gR	9008210.20	gR	6.8	82	470
25	9008010.25	gR	9008210.25	gR	8.1	118	670
32	9008010.32	gR	9008210.32	gR	10.0	184	1 050
40	9008010.40	gR	9008210.40	gR	12.0	472	2 700
50	9008010.50	gR	9008210.50	gR	13.2	737	4 200
63	9008010.63	gR	9008210.63	gR	17.7	1 300	7 500

Weight [kg/1]
0.1
Units per Package
12

* (L/R=1ms)



9008010



9008210

Accessories

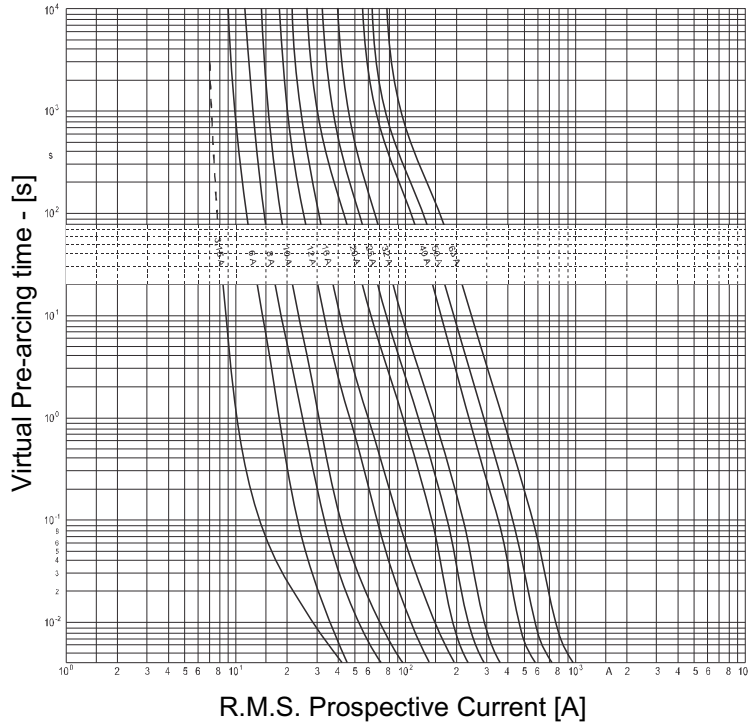
Fuse Modules	Page	Fuse Clips	Page
9108001 1-Pole	280	6100201.3 Fuse Clips Screw mounting	287 - 288
Fuse Base		6300201 Clamping plate for 6100201.3	
9108001-B1 1-Pole		6100201.4 Terminal Link for 6100201.3	
		5806006 Fuse Clips PCB mounting	

URDC	Rated Voltage [Un] 1000V _{DC}	Rated Breaking Test Capacity 100kA	Rated Voltage 1000V _{DC}	Class aR/gR	Standard(s) EN IEC 60269-4 DIN VDE-0636 Part 4I
-------------	---	--	---	-----------------------	--

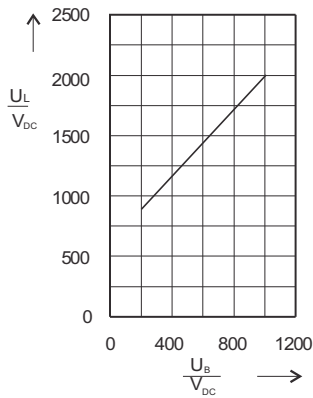
Size 20x127mm

Coefficients for Heavy Duty Applications				
a	A2	B1	B2	Cf3
130	0.6	1.25	0.6	0.8

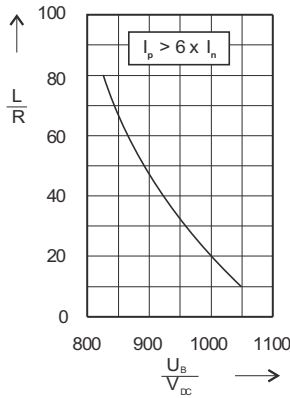
Time-Current Characteristics



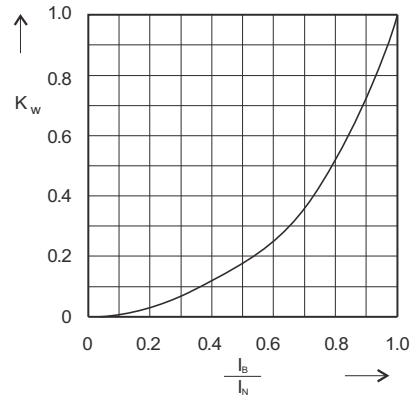
Arc voltage diagram



DC voltage reduction for L/R



Reduction factor for power loss



SIBA LLC

29 Fairfield Place
West Caldwell, New Jersey 07006

Phone 1-973-575-7422
Fax 1-973-575-5858

e-mail: info@sibafuse.com
www.siba-fuses.us

URDC	Rated Voltage [Un] 900V _{DC}	Rated Breaking Test Capacity 30kA	Class aR	Standard(s) IEC 60 077-5 UIC 550
-------------	--	--	--------------------	---

Size SQB-DC0

Rated Current I _n [A]	Without Indicator Article Number	With Microswitch Adapter Article Number	Power Loss [W]	Pre-arcing I ² t [A ² s]	Total I ² t* @ 1200V _{DC} [A ² s]
25	9022325.25	9022326.25	15	20	190
32	9022325.32	9022326.32	19	45	410
40	9022325.40	9022326.40	23	80	730
50	9022325.50	9022326.50	28	130	1 150
63	9022325.63	9022326.63	34	250	2 250
80	9022325.80	9022326.80	41	510	4 600
100	9022325.100	9022326.100	50	1 000	8 900
125	9022325.125	9022326.125	58	1 650	14 800
160	9022325.160	9022326.160	80	2 500	16 500
200	9022325.200	9022326.200	88	5 250	35 000
215	9022325.215	9022326.215	—	—	—

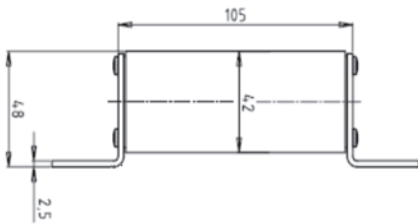
Weight [kg/1]

2

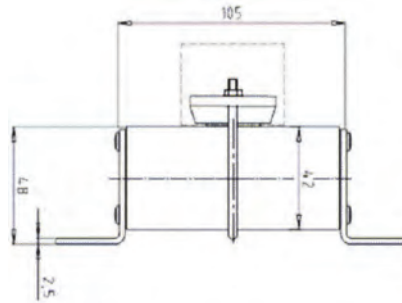
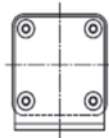
Units per Package

1

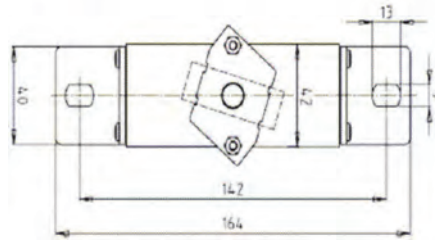
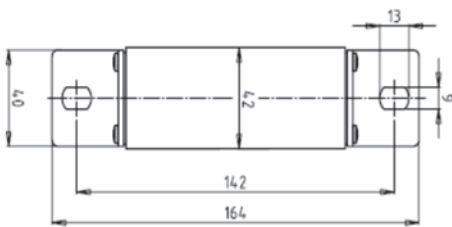
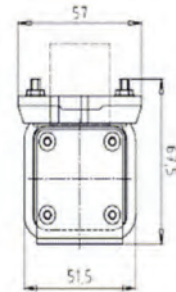
* (L/R=15ms)



9022325



9022326



M8 Contact Bolt
Maximum Torque
15N•m
11.1lb•ft
133lb•in

Accessories
B & M Microswitches
278 - 280

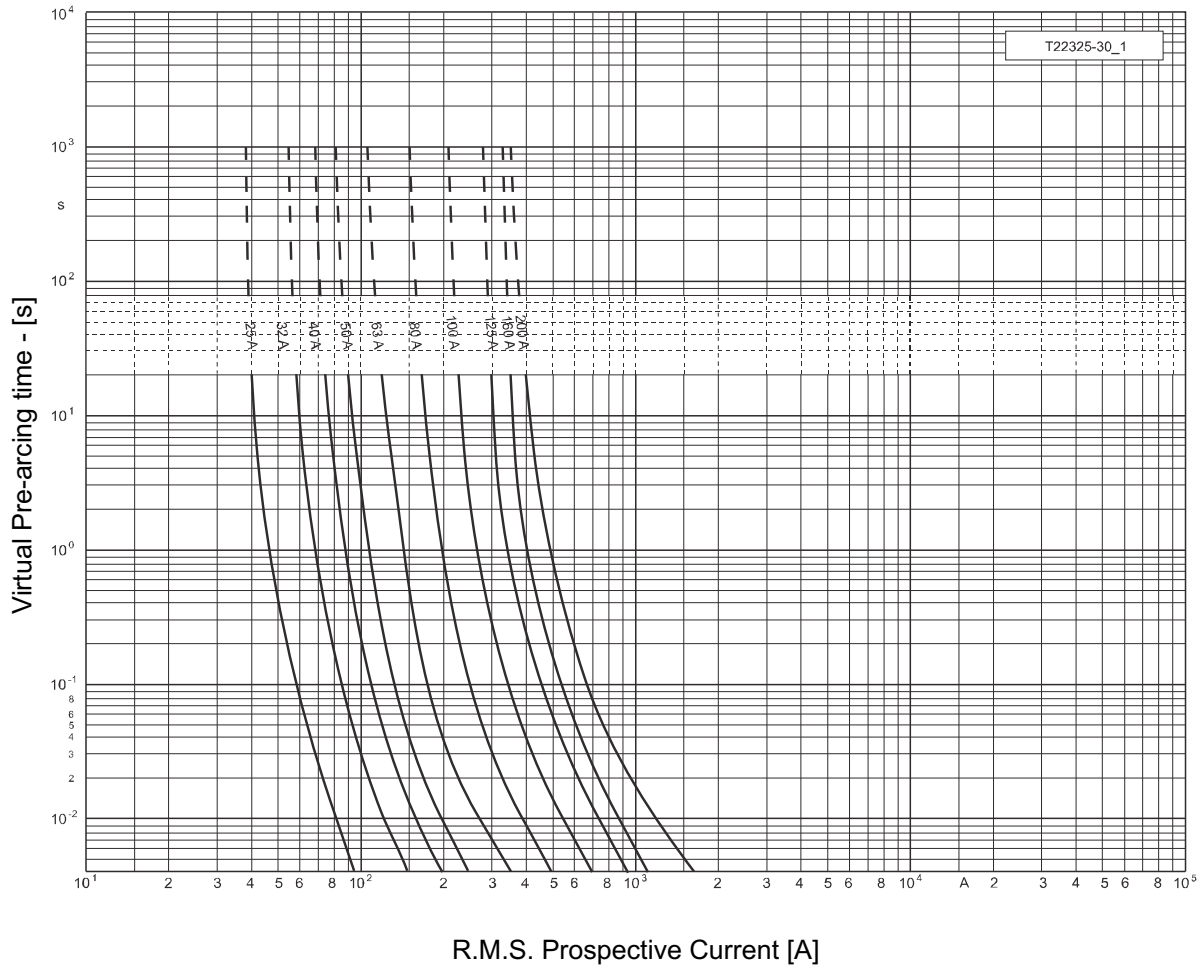


FUSES

URDC	Rated Voltage [Un] 900V _{DC}	Rated Breaking Test Capacity 30kA	Class aR	Standard(s) IEC 60 077-5 UIC 550
Size SQB-DC0				

Coefficients for Heavy Duty Applications				
a	A2	B1	B2	Cf3
130	0.55	1.25	0.6	0.8

Time-Current Characteristics



URDC	Rated Voltage [Un] 900V _{DC}	Rated Breaking Test Capacity 30kA	Class aR	Standard(s) IEC 60 077-5 UIC 550
-------------	--	--	--------------------	---

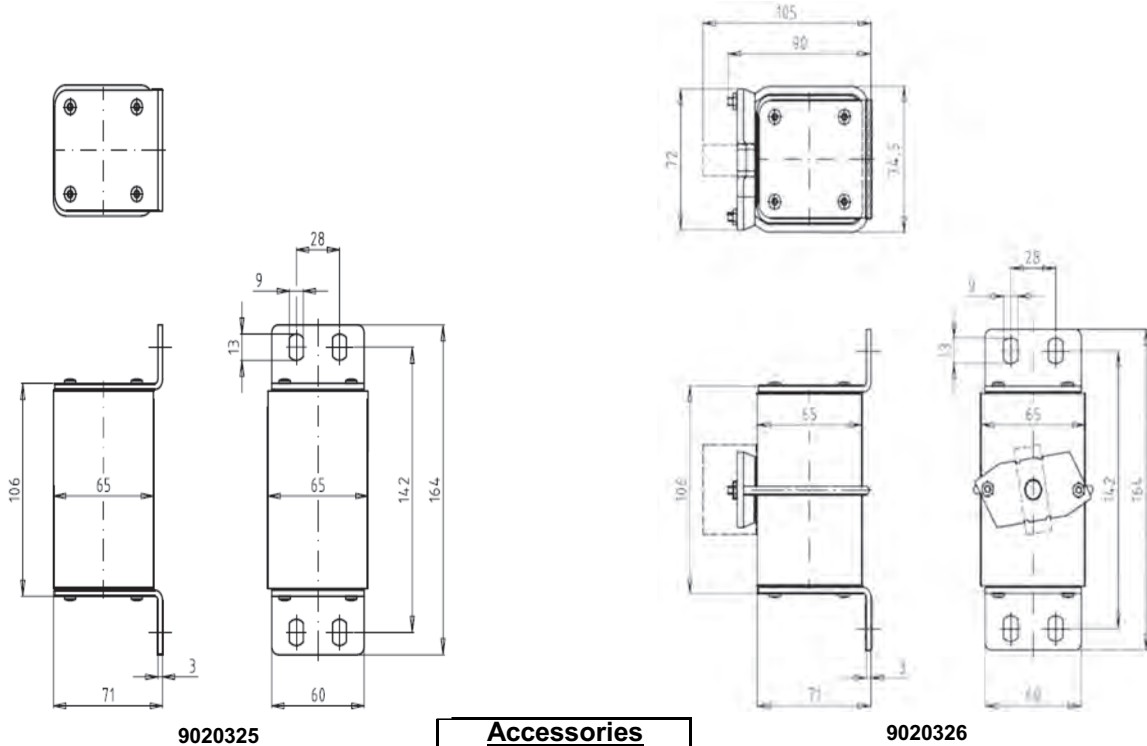
Size SQB-DC2

Rated Current I _n [A]	Without Indicator Article Number	With Microswitch Adapter Article Number	Power Loss [W]	Pre-arcing i ² t [A ² s]	Total i ² t* @ 1200V _{DC} [A ² s]
100	9020325.100	9020326.100	60	620	5 400
125	9020325.125	9020326.125	68	1 150	10 100
160	9020325.160	9020326.160	78	2 100	18 000
200	9020325.200	9020326.200	89	4 000	36 000
250	9020325.250	9020326.250	101	8 200	73 000
315	9020325.315	9020326.315	114	15 000	133 000
350	9020325.350	9020326.350	128	18 500	106 000
400	9020325.400	9020326.400	137	26 500	151 000

Weight [kg/1]	3.5
Units per Package	1

M8 Contact Bolt
Maximum Torque
15N•m
11.1lb•ft
133lb•in

* (L/R=15ms)



Accessories
B & M Microswitches
278 - 280

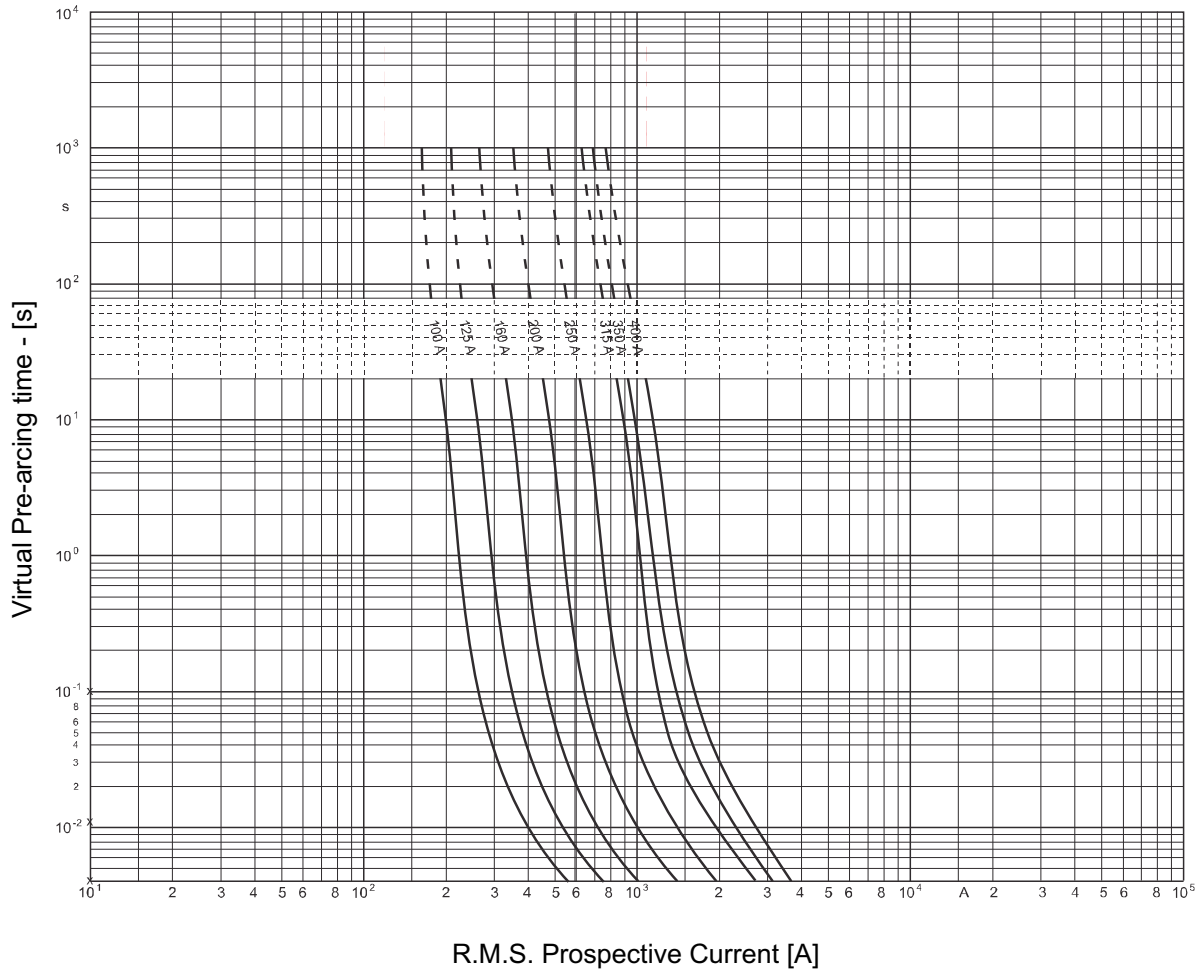


FUSES

URDC	Rated Voltage [Un] 900V _{DC}	Rated Breaking Test Capacity 30kA	Test Voltage 1200V _{DC}	Class aR	Standard(s) IEC 60 077-5 UIC 550
Size SQB-DC2					

Coefficients for Heavy Duty Applications					
a	A2	B1	B2	Cf3	
130	0.55	1.25	0.6	0.8	

Time-Current Characteristics



URDC	Rated Voltage [Un] 900V _{DC}	Rated Breaking Test Capacity 30kA	Class aR	Standard(s) IEC 60 077-5 UIC 550
-------------	--	---	--------------------	---

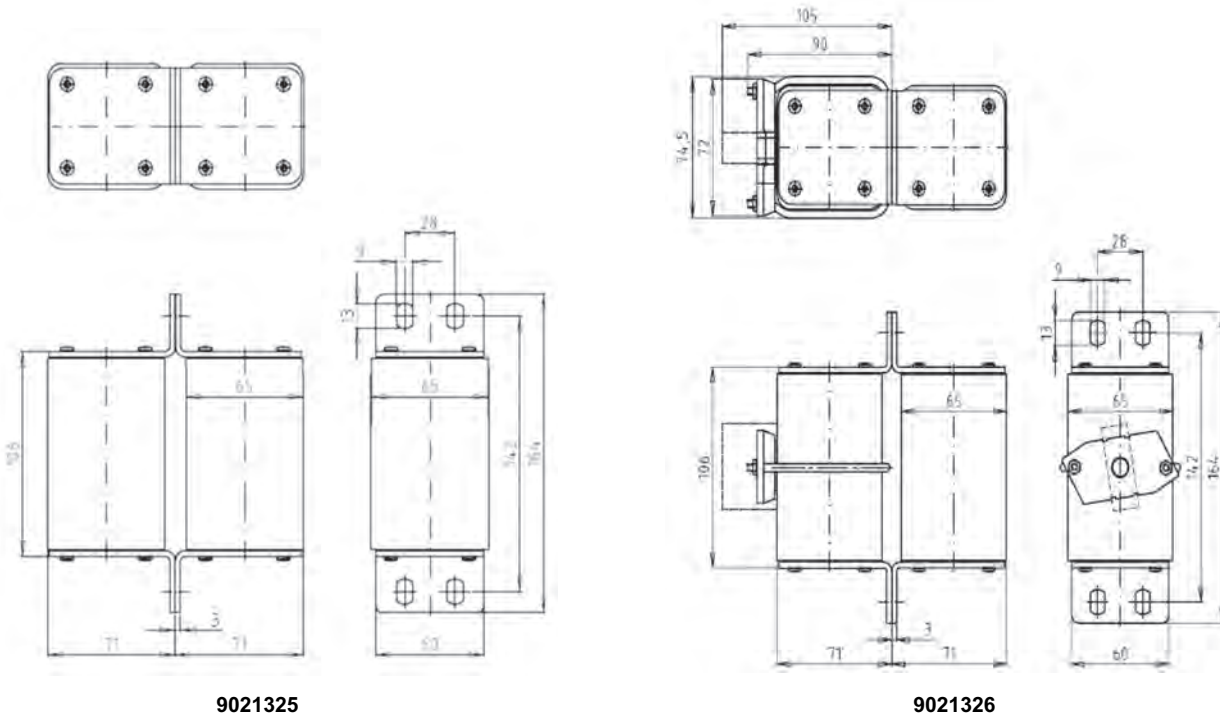
Size SQB-DC2-2

Rated Current I _n [A]	Without Indicator Article Number	With Microswitch Adapter Article Number	Power Loss [W]	Pre-arcing i ² t [A ² s]	Total i ² t* @ 1200V _{DC} [A ² s]
500	9021325.500	9021326.500	212	32 800	292 000
630	9021325.630	9021326.630	240	60 000	532 000
700	9021325.700	9021326.700	269	74 000	424 000
800	9021325.800	9021326.800	288	106 000	604 000

Weight [kg/1]	7.0
Units per Package	1

* (L/R=15ms)

Accessories
B & M Microswitches
278 - 280



M8 Contact Bolt
Maximum Torque
15N•m
11.1lb•ft
133lb•in

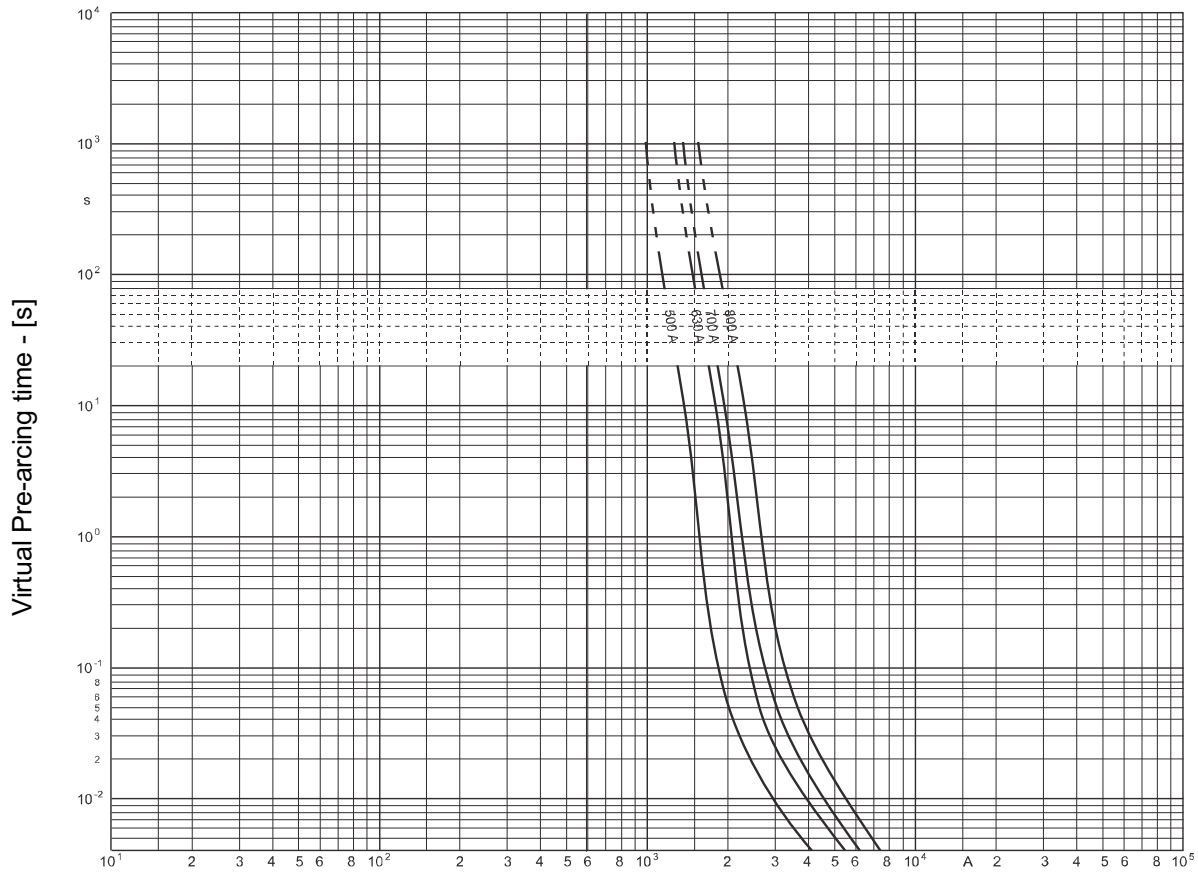


FUSES

URDC	Rated Voltage [Un] 900V _{DC}	Rated Breaking Test Capacity 30kA	Test Voltage 1200V _{DC}	Class aR	Standard(s) IEC 60 077-5 UIC 550
Size SQB-DC2-2					

Coefficients for Heavy Duty Applications					
a	A2	B1	B2	Cf3	
130	0.55	1.25	0.6	0.8	

Time-Current Characteristics



R.M.S. Prospective Current [A]

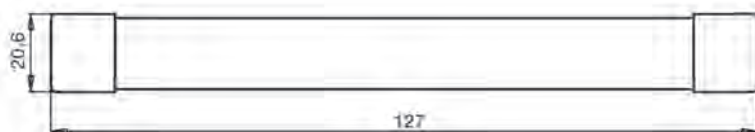
URDC	Rated Voltage [Un] 1500V _{DC}	Rated Breaking Test Capacity 30kA	Class aR/gR	Standard(s) IEC 60 269-4 VDE 0636-4 DIN EN 60 369-4
-------------	---	--	-----------------------	---

Size 20x127mm

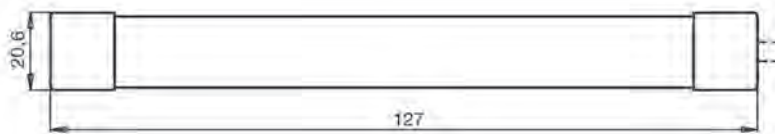
Rated Current I _n [A]	Without Indicator Article Number	With Indicator Article Number	With 2.5N Striker Article Number	Power Loss [W]	Pre-arcing i ² t [A ² s]	Total i ² t* @ 1500V _{DC} [A ² s]		
2	9008110.2	aR		3.9	0.64	5		
3.15	9008110.3.15	aR		4.1	2.0	16		
5		9008110.5	gR	9008610.5	gR	3.0	4.8	11
6		9008110.6	gR	9008610.6	gR	3.0	3.0	17
8		9008110.8	gR	9008610.8	gR	3.2	7.0	42
10		9008110.10	gR	9008610.10	gR	3.4	13	75
12		9008110.12	gR	9008610.12	gR	3.6	20	120
16		9008110.16	gR	9008610.16	gR	4.6	52	300
20		9008110.20	gR	9008610.20	gR	5.5	82	470
25		9008110.25	gR	9008610.25	gR	6.9	118	670

Weight [kg/1]
0.1
Units per Package
12

* (L/R=1ms)



9008110.2 - 3.15



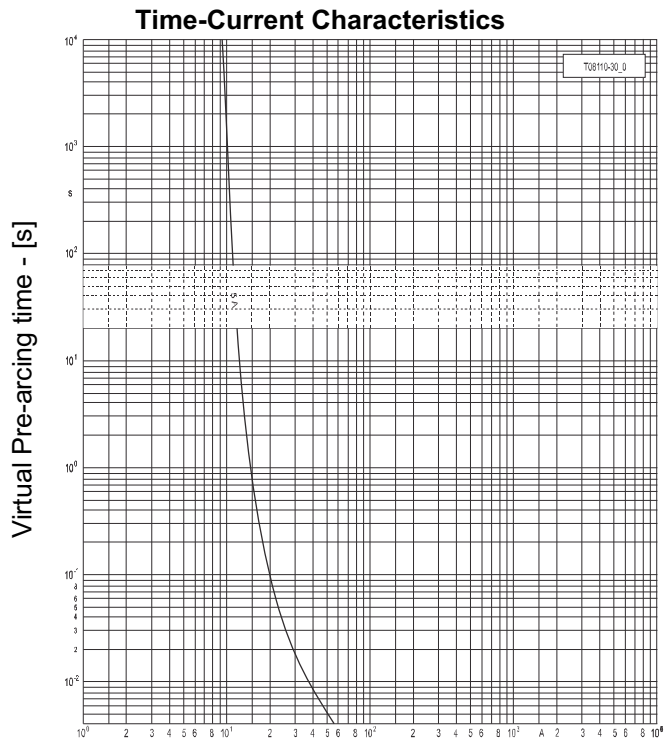
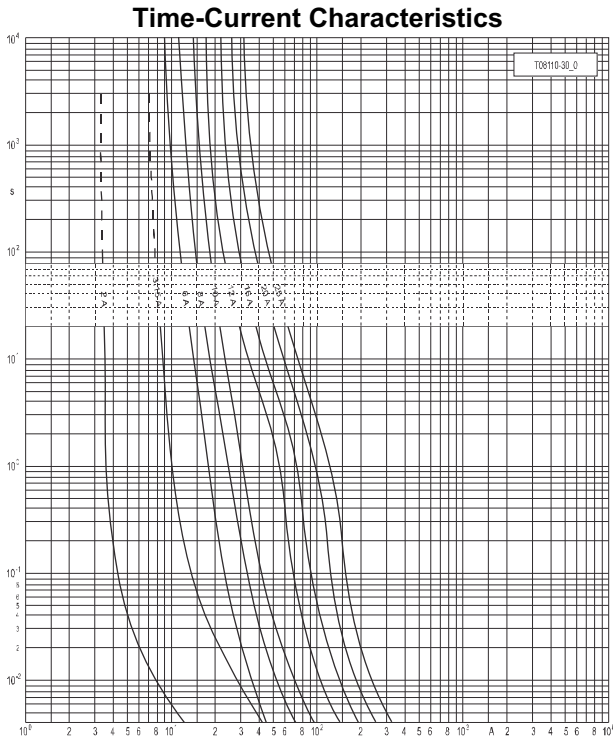
9008110.5 - 25 / 9008610.5 - 25

Accessories

Fuse Modules	Page	Fuse Clips	Page
9108001 1-Pole	280	6100201.3 Fuse Clips Screw mounting	287 - 288
Fuse Base		6300201 Clamping plate for 6100201.3	
9108001-B1 1-Pole		6100201.4 Terminal Link for 6100201.3	
	5806006 Fuse Clips PCB mounting		

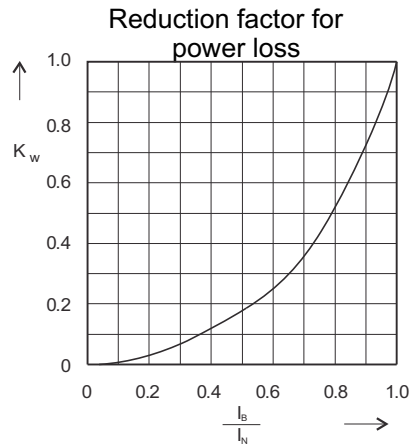
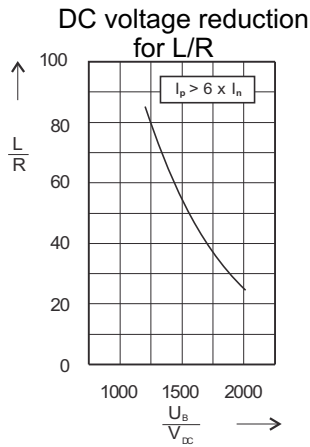
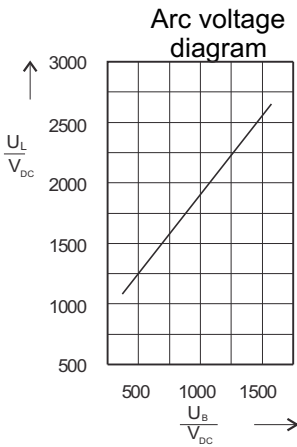
URDC	Rated Voltage	Rated Breaking Test	Class	Standard(s)
	[Un] 1500V _{DC}	Capacity 30kA	Voltage 1500V _{DC}	IEC 60 269-4 VDE 0636-4 DIN EN 60 369-4
Size 20x127mm				

Coefficients for Heavy Duty Applications				
a	A2	B1	B2	Cf3
130	0.6	1.25	0.6	0.8



R.M.S. Prospective Current [A]

T08110-__

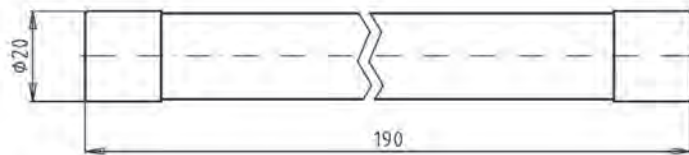


URDC	Rated Voltage [Un] 1500V _{DC}	Rated Breaking Test Capacity 60kA	Class gR	Standard(s) IEC 60 077-5 UIC 550 VDE 0115 Part 460-5
-------------	---	--	--------------------	--

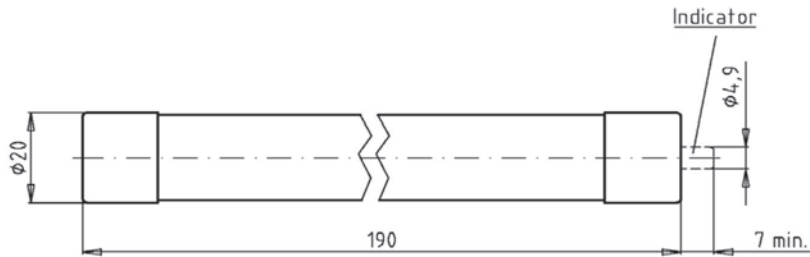
Size 20x190mm

Rated Current I _n [A]	Without Indicator Article Number	With 2.5N Striker Article Number	Power Loss [W]	Pre-arcing i ² t [A ² s]	Total i ² t @ 1500V _{DC} [A ² s]
6	9009010.6	9009110.6	3.1	7.4	44
8	9009010.8	9009110.8	4.1	13	80
10	9009010.10	9009110.10	4.4	30	180
12	9009010.12	9009110.12	4.7	53	320
16	9009010.16	9009110.16	6.2	90	550
20	9009010.20	9009110.20	7.6	150	900
25	9009010.25	9009110.25	8.1	240	1 400
32	9009010.32	9009110.32	9.7	600	3 600

Weight [kg/1]	0.11
Units per Package	6



9009010



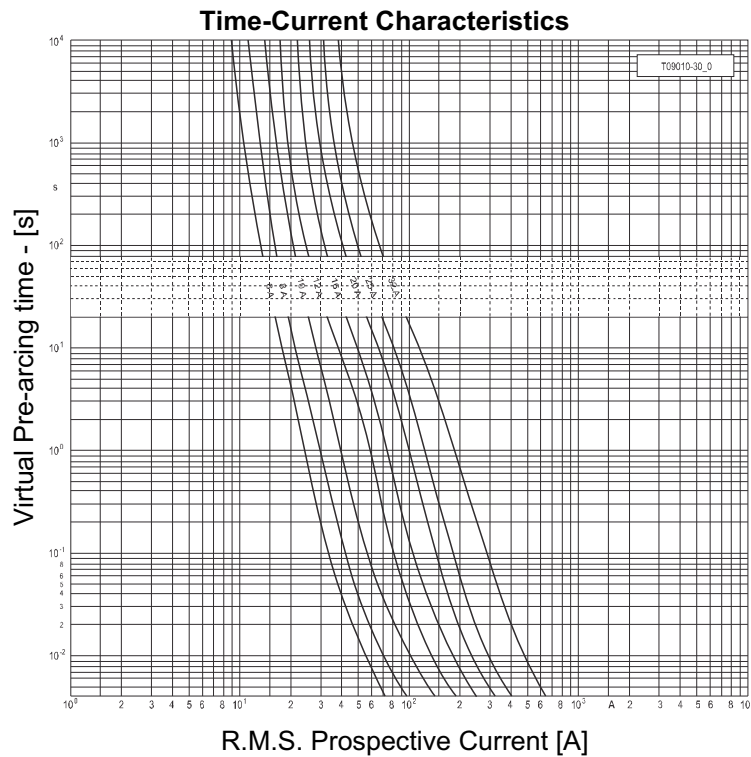
9009110

Accessories

Fuse Base	Page	Fuse Clips	Page		
9109001	1-Pole	285	6100201.3	Fuse Clips Screw mounting	287 - 288
			6300201	Clamping plate for 6100201.3	
			6300201.4	Terminal Link for 6100201.3	
			5806006	Fuse Clips PCB mounting	

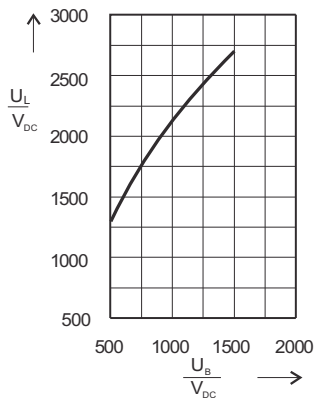
URDC	Rated Voltage	Rated Breaking Test	Class	Standard(s)
	[Un] 1500V _{DC}	Capacity 60kA	gR Voltage 1500V _{DC}	IEC 60 077-5 UIC 550 VDE 0115 Part 460-5
Size 20x190mm				

Coefficients for Heavy Duty Applications				
a	A2	B1	B2	Cf3
130	0.6	1.25	0.6	0.8

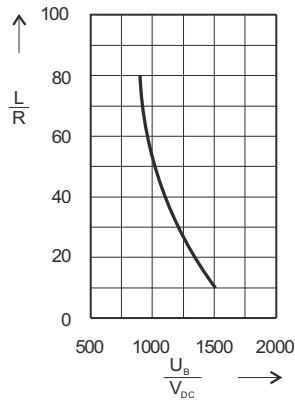


T09010-60_0

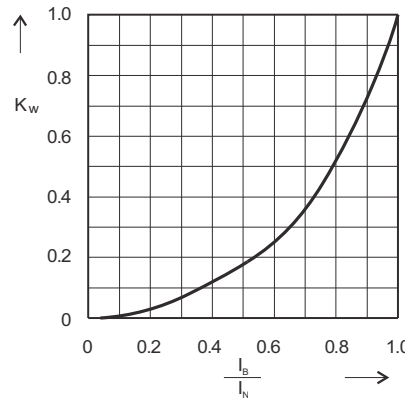
Arc Voltage Diagram



Reduction factor for I²t



Reduction factor for power



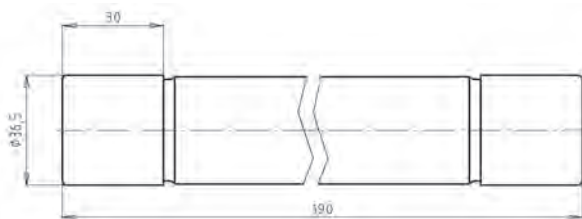
URDC	Rated Voltage [Un]	Rated Breaking Test Capacity 30kA	Class gR	Standard(s) In compliance with VDE 0636-1 & 4
------	-----------------------	---	-------------	---

Size 36x190mm

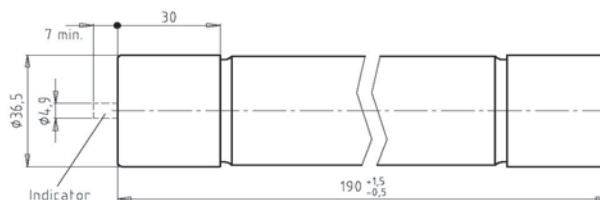
Rated Current I_n [A]	Without Indicator Article Number	With 2.5N Striker Article Number	Power Loss [W]	Pre-arcing i^2t [A ² s]	Total i^2t^* @ 1500V _{DC} [A ² s]
20	9009410.20	9009510.20	9	60	470
25	9009410.25	9009510.25	12	100	770
32	9009410.32	9009510.32	16	130	950
40	9009410.40	9009510.40	22	290	2 200
50	9009410.50	9009510.50	25	620	4 600
63	9009410.63	9009510.63	30	1 000	7 500
80	9009410.80	9009510.80	34	2 050	15 300
100	9009410.100	9009510.100	38	3 500	25 800

Weight [kg/1]	1
Units per Package	1

* (L/R=30ms)



9009410



9009510

Accessories

Fuse Modules	Page	Fuse Clips	Page
9109401 1-Pole	285	9100401.3 Fuse Clips Screw mounting	288
		9101401.4 Terminal Link for 6100201.3	

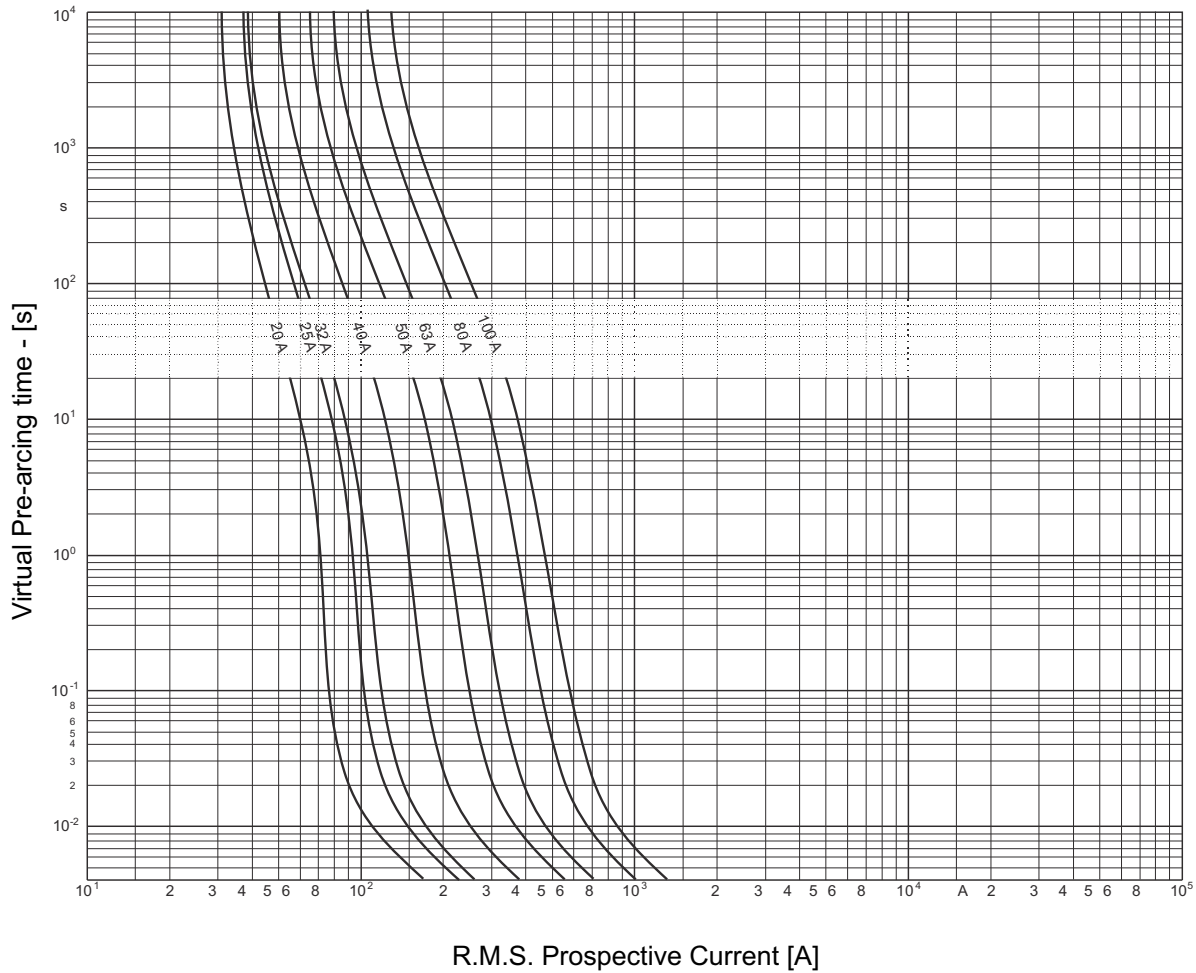


FUSES

URDC	Rated Voltage [Un] 1500V _{DC}	Rated Breaking Capacity 30kA	Test Voltage 1500V _{DC}	Class gR	Standard(s) In compliance with VDE 0636-1 & 4
Size 36x190mm					

Coefficients for Heavy Duty Applications				
a	A2	B1	B2	Cf3
130	0.6	1.25	0.6	0.8

Time-Current Characteristics



M8 Contact Bolt Maximum Torque 15N•m 11.1lb•ft 133lb•in

URDC	Rated Voltage [Un] 1700V _{DC}	Rated Breaking Test Capacity 30kA	Class aR	Standard(s) IEC 60 077-5 UIC 550
-------------	---	--	--------------------	---

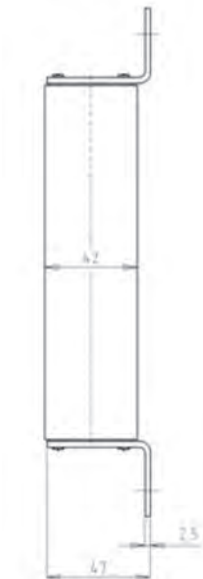
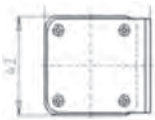
Size SQB-DC0

Rated Current I _n [A]	Without Indicator Article Number	With Microswitch Adapter Article Number	Power Loss [W]	Pre-arcing i ² t [A ² s]	Total i ² t* @ 2000V _{DC} [A ² s]
20	9022225.20	9022226.20	25	11.5	96
25	9022225.25	9022226.25	28	20	170
32	9022225.32	9022226.32	37	32	270
40	9022225.40	9022226.40	43	46	390
50	9022225.50	9022226.50	57	82	680
63	9022225.63	9022226.63	60	184	1 600
80	9022225.80	9022226.80	73	328	2 700
100	9022225.100	9022226.100	75	1 000	8 400
125	9022225.125	9022226.125	80	1 660	13 800
150	9022225.150	9022226.150	85	2 950	24 500
200	9022225.200	9022226.200	125	5 300	30 000

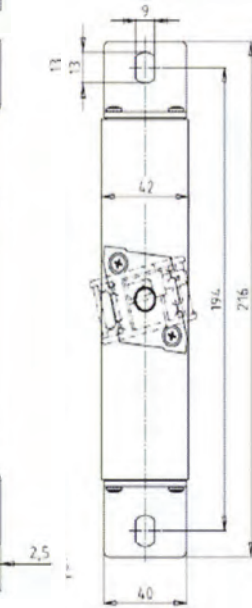
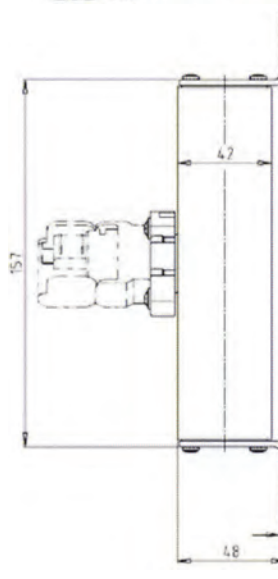
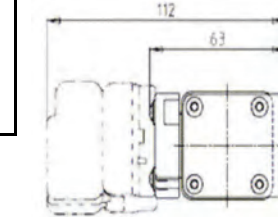
Weight [kg/1]
2
Units per Package
1

* (L/R=15ms)

M8 Contact Bolt
Maximum Torque
15N•m
11.1lb•ft
133lb•in



9022225



9022226

Accessories
M Microswitches
278 - 280

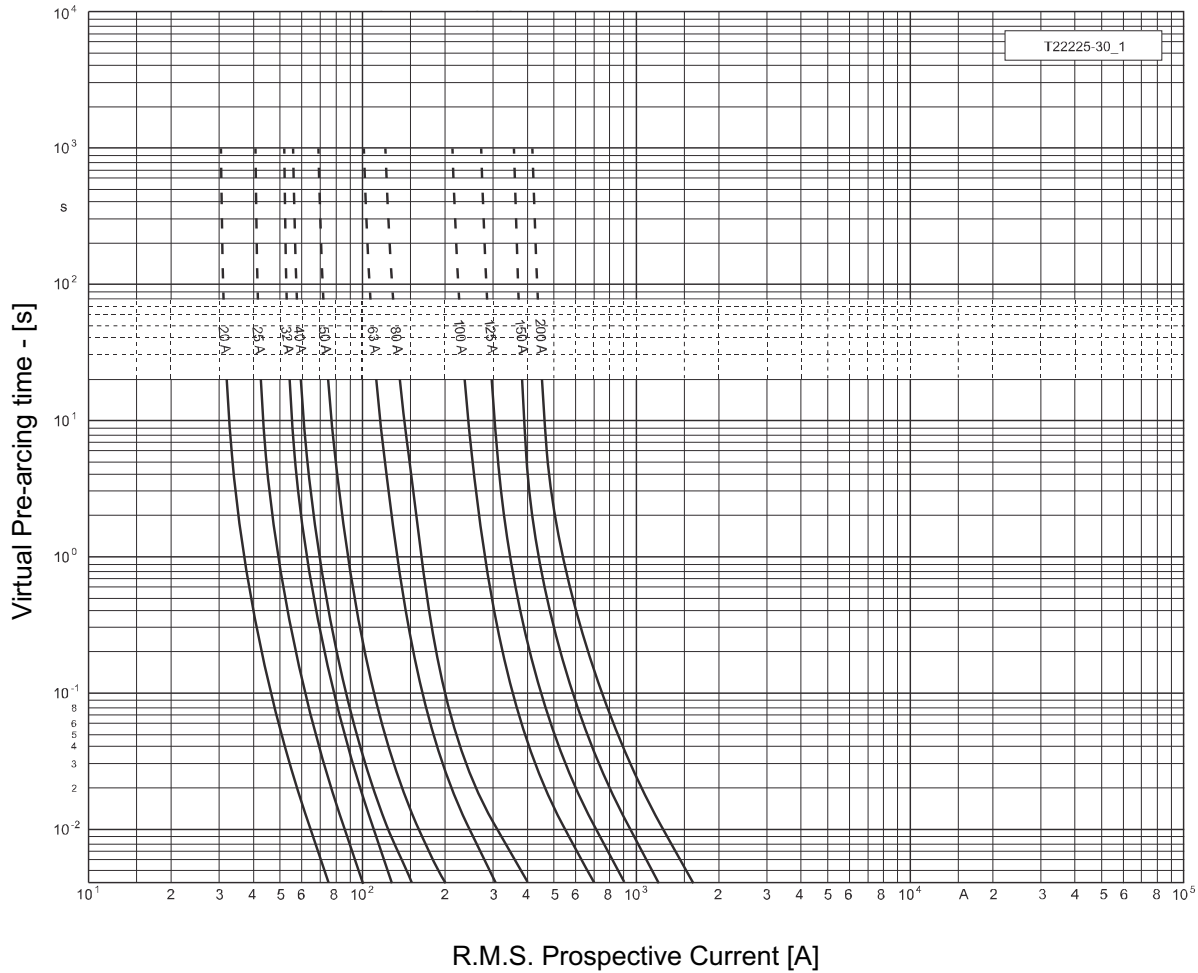


FUSES

URDC	Rated Voltage [Un] 1700V _{DC}	Rated Breaking Test Capacity 30kA	Class aR	Standard(s) IEC 60 077-5 UIC 550
Size SQB-DC0				

Coefficients for Heavy Duty Applications				
a	A2	B1	B2	Cf3
130	0.55	1.25	0.6	0.8

Time-Current Characteristics



URDC	Rated Voltage [Un] 1700V _{DC}	Rated Breaking Test Capacity 30kA	Class aR	Standard(s) IEC 60 077-5 UIC 550
-------------	---	--	--------------------	---

Size SQB-DC2

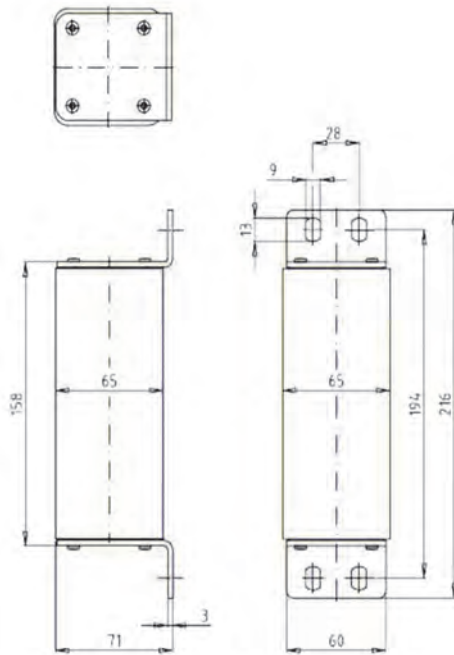
Rated Current I _n [A]	Without Indicator Article Number	With Microswitch Adapter Article Number	Power Loss [W]	Pre-arcing i ² t [A ² s]	Total i ² t* @ 2 000V _{DC} [A ² s]
125	9020225.125	9020226.125	89	1 300	10 900
160	9020225.160	9020226.160	103	2 500	20 600
200	9020225.200	9020226.200	115	5 200	38 300
250	9020225.250	9020226.250	134	9 900	82 500
315	9020225.315	9020226.315	152	20 300	170 000
350	9020225.350	9020226.350	165	25 000	120 000
400	9020225.400	9020226.400	178	40 000	190 000

Weight [kg/1]	2
Units per Package	1

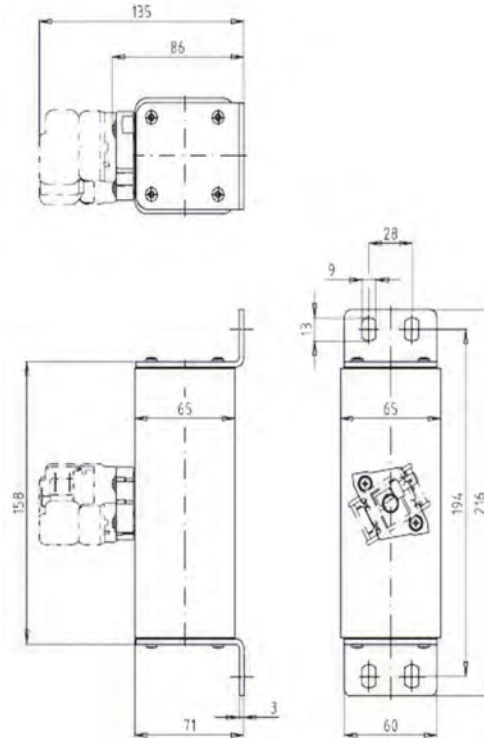
* (L/R=15ms)

Accessories
M Microswitches
278 - 280

M8 Contact Bolt
Maximum Torque
15N•m
11.1lb•ft
133lb•in



9020225



9020226

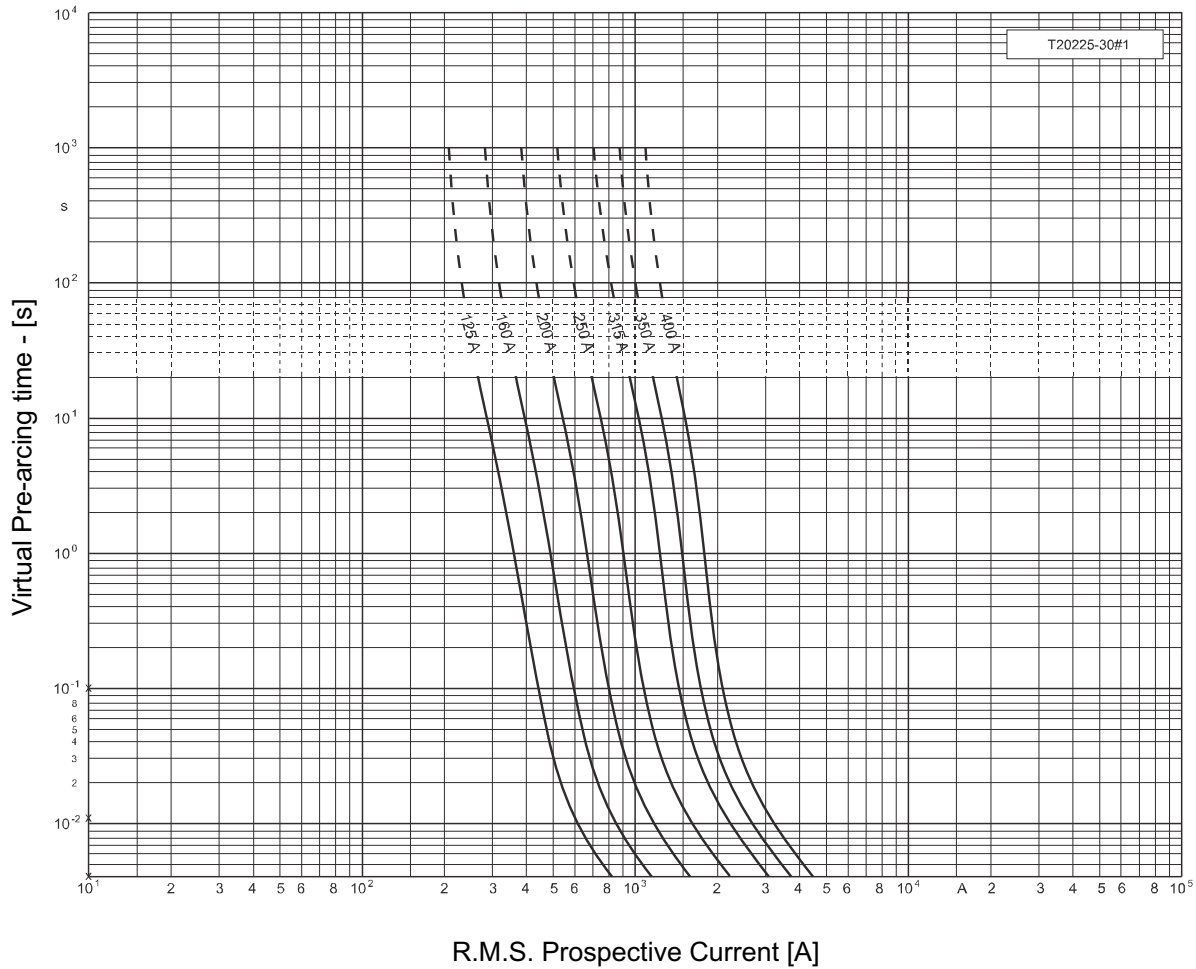


FUSES

URDC	Rated Voltage [Un] 1700V _{DC}	Rated Breaking Test Capacity 30kA	Test Voltage 2000V _{DC}	Class aR	Standard(s) IEC 60 077-5 UIC 550
Size SQB-DC2					

Coefficients for Heavy Duty Applications					
a	A2	B1	B2	Cf3	
130	0.55	1.25	0.6	0.8	

Time-Current Characteristics



URDC	Rated Voltage [Un] 1800V _{DC}	Rated Breaking Test Capacity 30kA	Class aR	Standard(s) IEC 60 077-5 UIC 550
-------------	---	--	--------------------	---

Size SQB-DC0

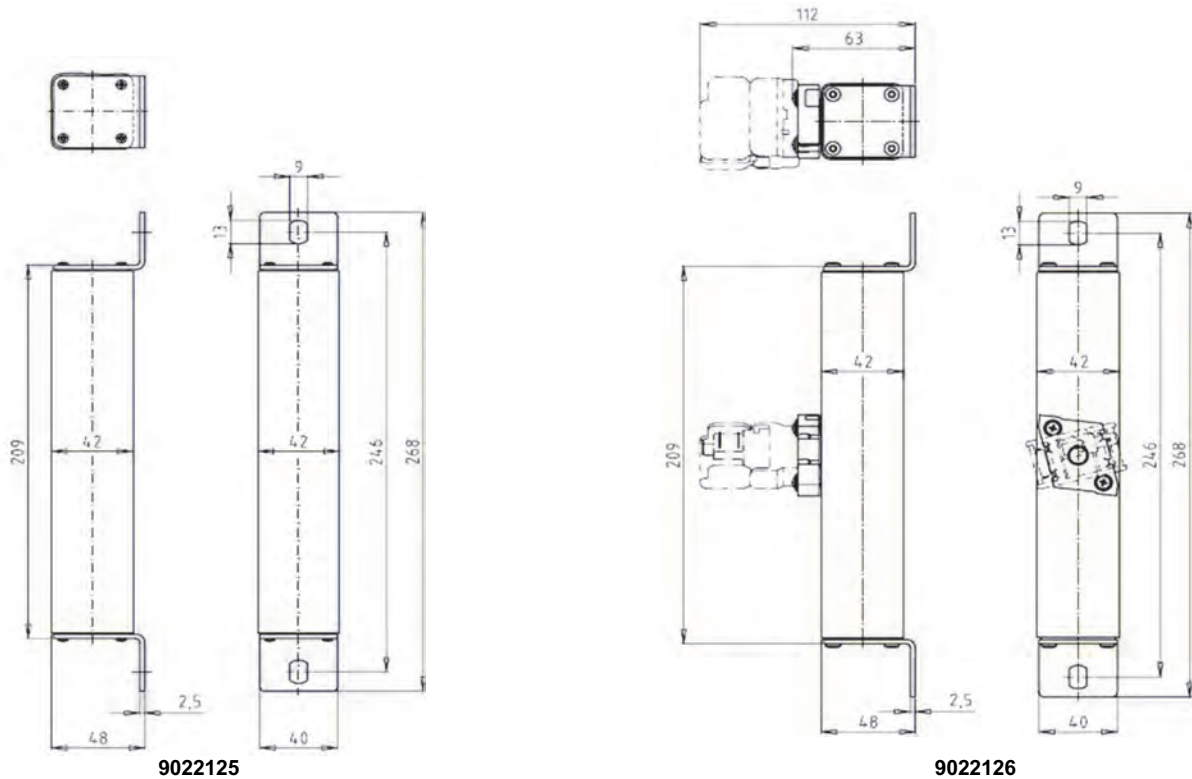
Rated Current I _n [A]	Without Indicator Article Number	With Microswitch Adapter Article Number	Power Loss [W]	Pre-arcing i ² t [A ² s]	Total i ² t* @ 2400V _{DC} [A ² s]
25	9022125.25	9022126.25	28	32	260
32	9022125.32	9022126.32	38	46	380
40	9022125.40	9022126.40	45	82	700
50	9022125.50	9022126.50	56	128	1 050
63	9022125.63	9022126.63	60	228	2 400
80	9022125.80	9022126.80	72	512	4 200
100	9022125.100	9022126.100	75	1 150	9 400
125	9022125.125	9022126.125	80	2 050	16 700
150	9022125.150	9022126.150	98	3 330	27 100

Weight [kg/1]
2.9
Units per Package
1

* (L/R=15ms)

Accessories
M Microswitches
278 - 280

M8 Contact Bolt
Maximum Torque
15N•m
11.1lb•ft
133lb•in



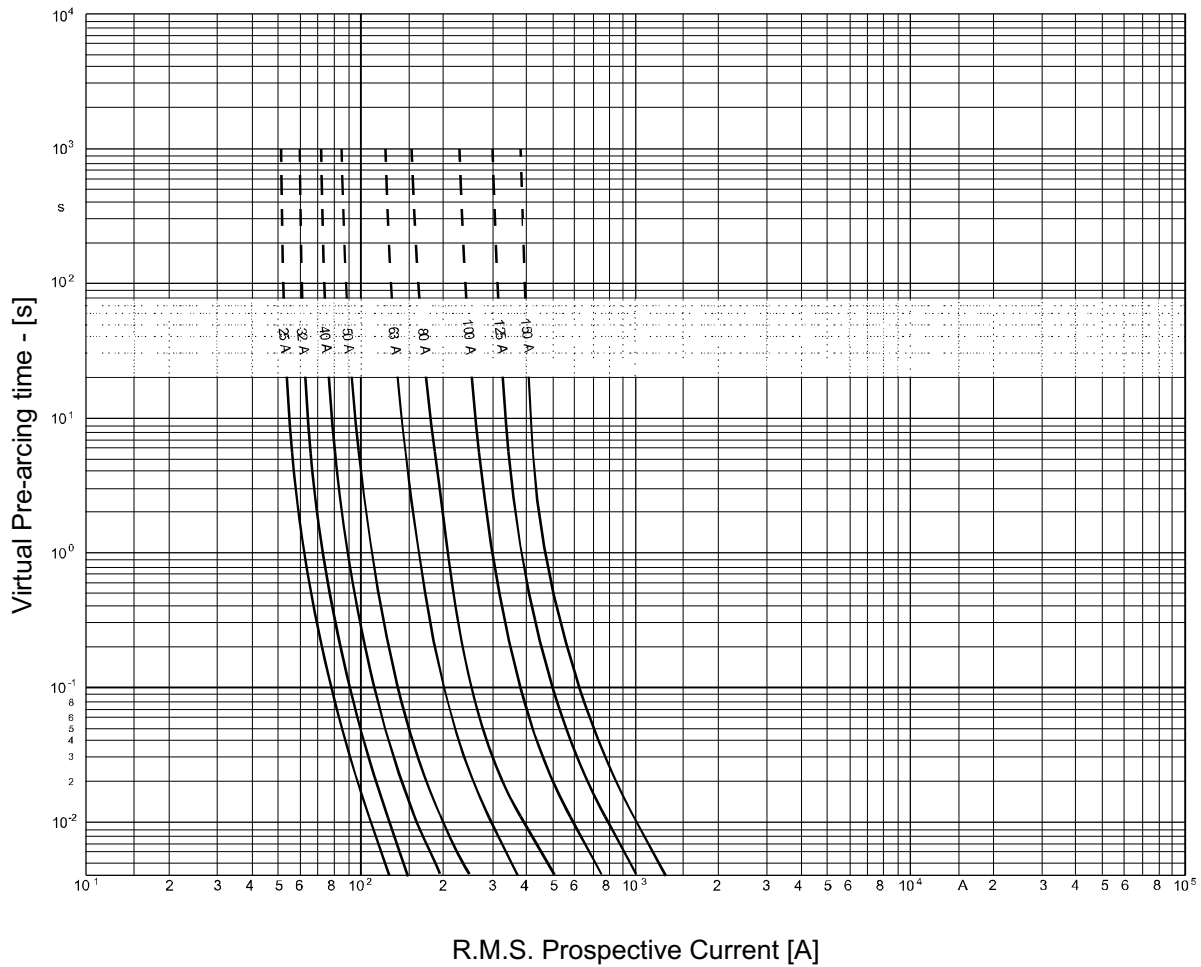


FUSES

URDC	Rated Voltage [Un] 1800V _{DC}	Rated Breaking Test Capacity 30kA	Class aR	Standard(s) IEC 60 077-5 UIC 550
Size SQB-DC0				

Coefficients for Heavy Duty Applications				
a	A2	B1	B2	Cf3
130	0.55	1.25	0.6	0.8

Time-Current Characteristics



URDC	Rated Voltage [Un] 1800V _{DC}	Rated Breaking Test Capacity 30kA	Class aR	Standard(s) IEC 60 077-5 UIC 550
-------------	---	--	--------------------	---

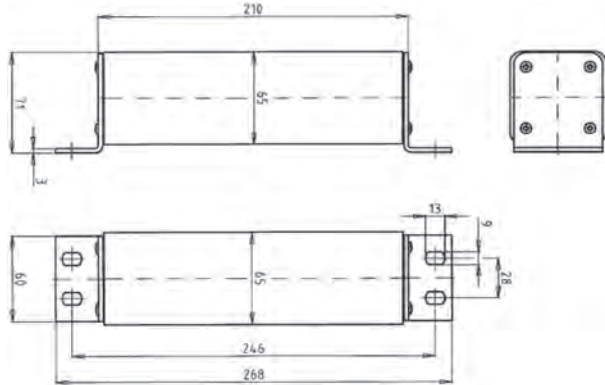
Size SQB-DC2 & SQB-DC2-2

Rated Current I _n [A]	Without Indicator Article Number	With Microswitch Adapter Article Number	Power Loss [W]	Pre-arcing i ² t [A ² s]	Total i ² t* @ 2400V _{DC} [A ² s]
Size SQB-DC2					
100	9020125.100	9020126.100	58	1 700	13 500
125	9020125.125	9020126.125	68	3 000	24 000
160	9020125.160	9020126.160	82	5 300	42 700
200	9020125.200	9020126.200	96	9 100	73 500
250	9020125.250	9020126.250	130	16 100	131 000
315	9020125.315	9020126.315	175	26 600	216 000
355	9020125.355	9020126.355	177	30 700	288 000
400	9020125.400	9020126.400	180	55 400	401 000

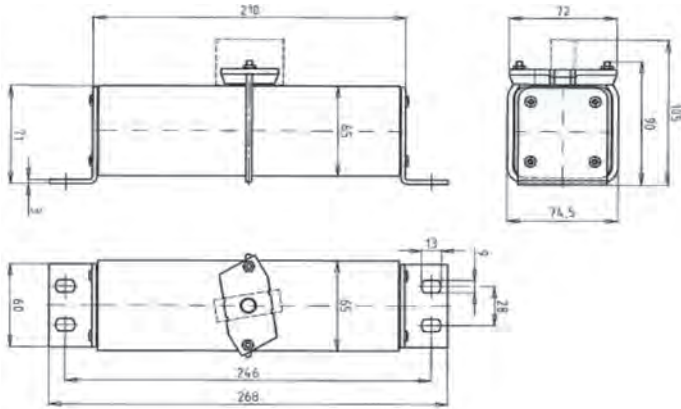
Weight [kg/1]
3.54
Units per Package
1

Accessories
M Microswitches
278 - 280

M8 Contact Bolt
Maximum Torque
15N•m
11.1lb•ft
133lb•in



9020125



9020125

URDC	Rated Voltage [Un] 1800V _{DC}	Rated Breaking Capacity 30kA	Test Voltage 2400V _{DC}	Class aR	Standard(s) IEC 60 077-5 UIC 550
-------------	---	--	--	--------------------	---

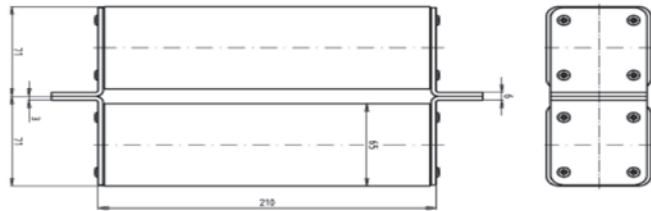
Size SQB-DC2 & SQB-DC2-2

Rated Current I _n [A]	Without Indicator Article Number	With Microswitch Adapter Article Number		Power Loss [W]	Pre-arcing I ² t [A ² s]	Total I ² t* @ 2400V _{DC} [A ² s]
Size SQB-DC2-2						
400	9021125.400	9021126.400		202	36 400	294 000
500	9021125.500	9021126.500		273	64 400	524 000
630	9021125.630	9021126.630		368	160 400	864 000
700	9021125.700	9021126.700		372	158 800	1 152 000
800	9021125.800	9021126.800		378	221 600	1 604 000

Weight [kg/1]
7.08
Units per Package
1

Accessories
M Microswitches
278 - 280

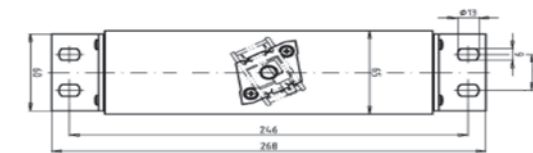
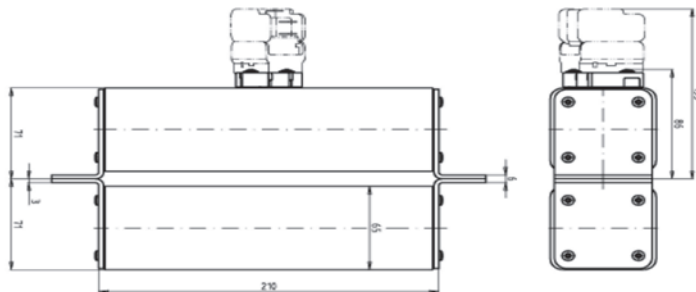
M8 Contact Bolt
Maximum Torque
15N•m
11.1lb•ft
133lb•in



9021125



9021126

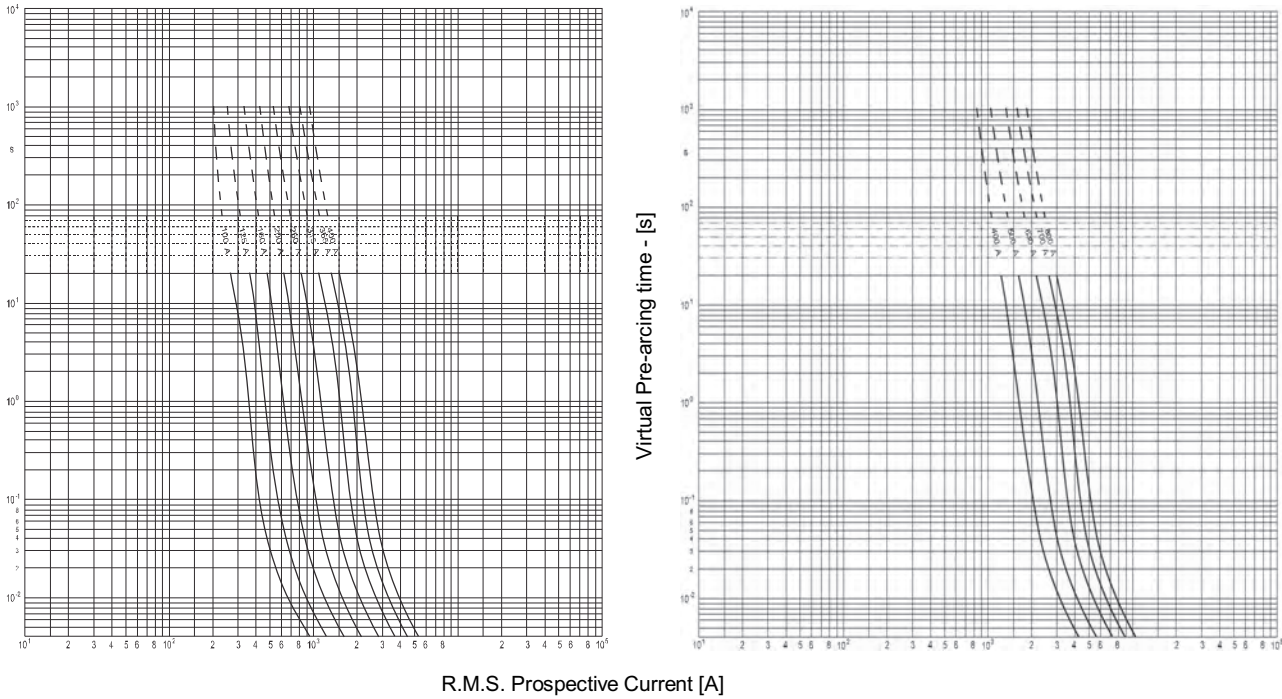


URDC	Rated Voltage [Un] 1800V _{DC}	Rated Breaking Test Capacity 30kA	Class aR	Standard(s) IEC 60 077-5 UIC 550
-------------	---	--	--------------------	---

Size SQB-DC2 & SQB-DC2-2

Coefficients for Heavy Duty Applications				
a	A2	B1	B2	Cf3
130	0.55	1.25	0.6	0.8

Time-Current Characteristics

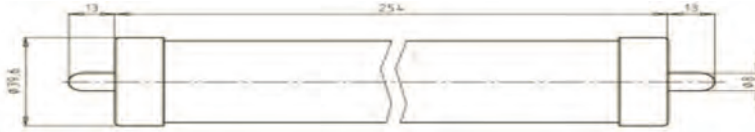


URDC	Rated Voltage [Un] 3600V _{DC}	Rated Breaking Test Capacity 3.2kA(L/R=16ms) 1.6kA(L/R=11ms)	Class aR	Standard(s) IEC 60 077-5 UIC 550
-------------	---	---	--------------------	---

Size 40x254mm

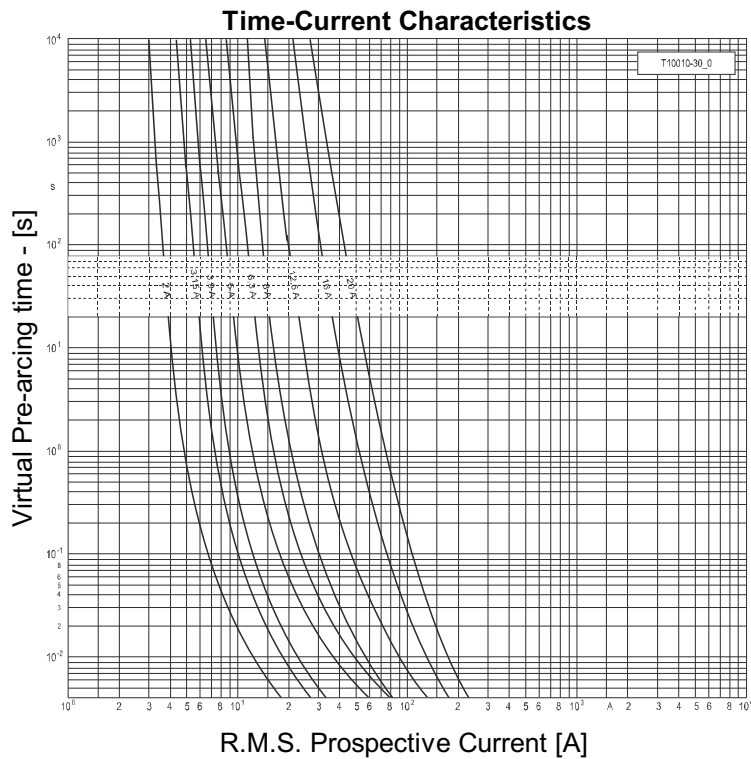
Rated Current I_n [A]	Without Indicator Article Number	Power Loss [W]	Pre-arcing I^2t [A ² s]	Total I^2t^* @ 4000V _{DC} [A ² s]
2	9010010.2	9	2.5	3.5
3.15	9010010.3.15	13	4	8
3.9	9010010.3.9	24	8	13
5	9010010.5	18	15	21
6.3	9010010.6.3	22	24	41
8	9010010.8	21	27	110
12.5	9010010.12.5	40	68	220
16	9010010.16	23	72	360
20	9010010.20	27	120	600

Weight [kg/1]
2
Units per Package
1



9010010

Coefficients for Heavy Duty Applications				
a	A2	B1	B2	Cf3
130	0.55	1.25	0.6	0.8



URDC	Rated Voltage [Un] 3600V _{DC}	Rated Breaking Test Capacity 30kA	Class aR	Standard(s) IEC 60 077-5 UIC 550
-------------	---	--	--------------------	---

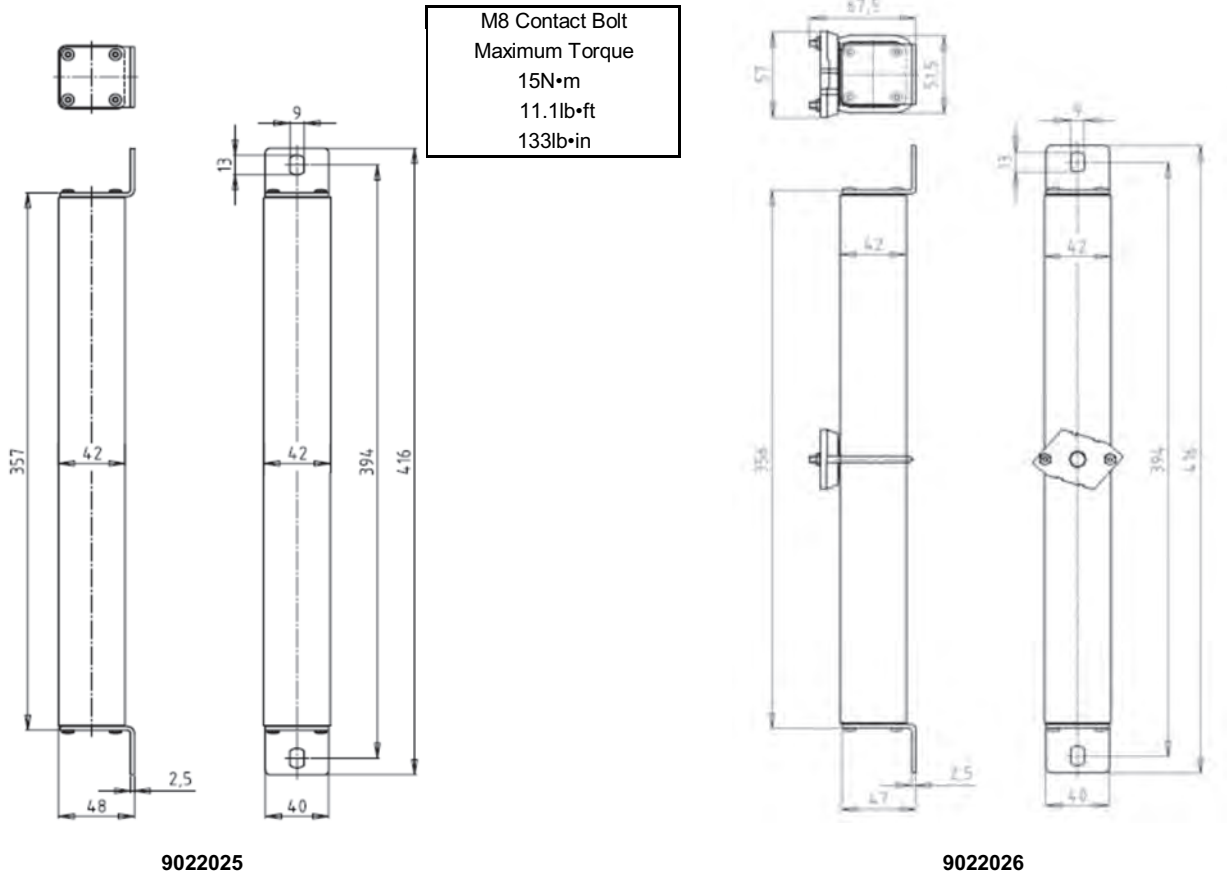
Size SQB-DC0

Rated Current I _n [A]	Without Indicator Article Number	With Microswitch Adapter Article Number	Power Loss [W]	Pre-arcing i ² t [A ² s]	Total i ² t* @ 4200V _{DC} [A ² s]
40	9022025.40	9022026.40	91	82	640
50	9022025.50	9022026.50	99	184	1 400
63	9022025.63	9022026.63	105	328	2 600
80	9022025.80	9022026.80	117	740	5 700
100	9022025.100	9022026.100	121	1 300	10 200
125	9022025.125	9022026.125	142	2 500	19 200
150	9022025.150	9022026.150	153	4 000	31 200

Weight [kg/1]
1.78
Units per Package
1

Accessories
M Microswitches
278 - 280

* (L/R=15ms)



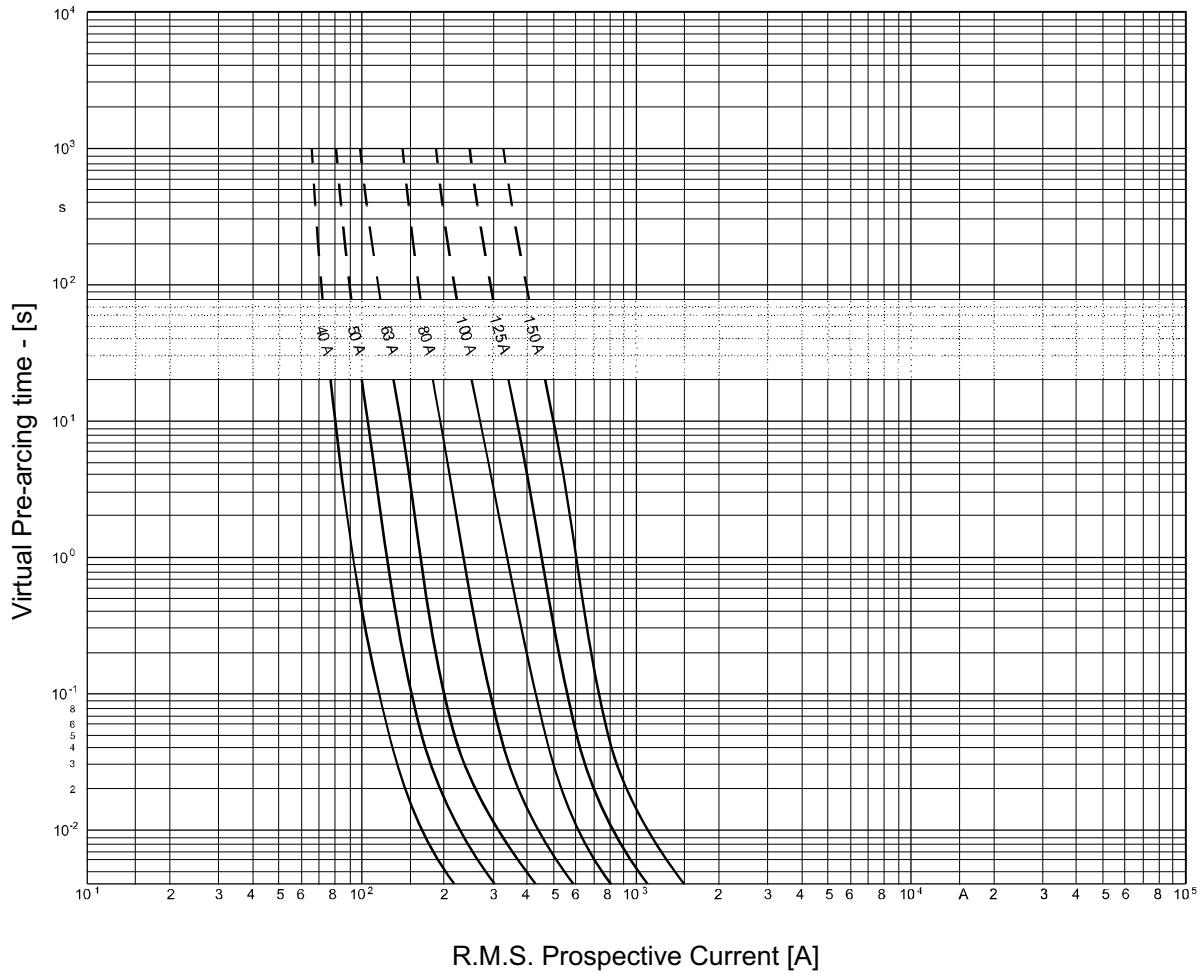


FUSES

URDC	Rated Voltage [Un] 3600V _{DC}	Rated Breaking Test Capacity 30kA	Class aR	Standard(s) IEC 60 077-5 UIC 550
Size SQB-DC0				

Coefficients for Heavy Duty Applications				
a	A2	B1	B2	Cf3
130	0.55	1.25	0.6	0.8

Time-Current Characteristics



URDC	Rated Voltage [Un] 3600V _{DC}	Rated Breaking Test Capacity 30kA	Class aR	Standard(s) IEC 60 077-5 UIC 550
		Voltage 4200V _{DC}		

Size SQB-DC2 & SQB-DC2-2

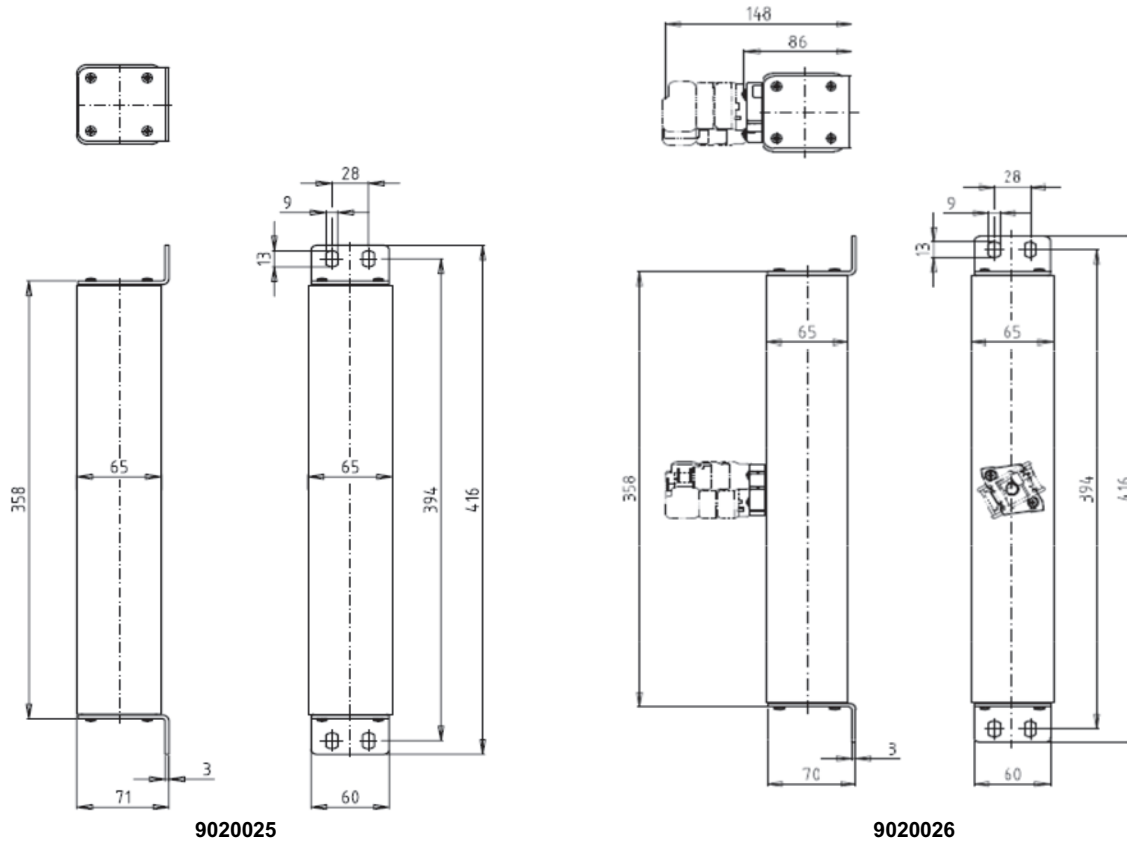
Rated Current I _n [A]	Without Indicator Article Number	With Microswitch Adapter Article Number	Power Loss [W]	Pre-arcing I ² t [A ² s]	Total I ² t* @ 4200V _{DC} [A ² s]
Size SQB-DC2					
100	9020025.100	9020026.100	75	2 300	19 000
125	9020025.125	9020026.125	90	4 000	33 500
160	9020025.160	9020026.160	120	6 600	55 300
200	9020025.200	9020026.200	145	11 800	98 000
250	9020025.250	9020026.250	165	21 000	175 000
280	9020025.280	9020026.850	205	27 000	221 000
315	9020025.315	9020026.315	220	33 000	273 000

Weight [kg/1]
3.54
Units per Package
1

Accessories
M Microswitches
278 - 280

M8 Contact Bolt
Maximum Torque
15N•m
11.1lb•ft
133lb•in

* (L/R=15ms)



URDC	Rated Voltage [Un] 3600V _{DC}	Rated Breaking Test Capacity 30kA	Class aR	Standard(s) IEC 60 077-5 UIC 550
-------------	---	--	--------------------	---

Size SQB-DC2 & SQB-DC2-2

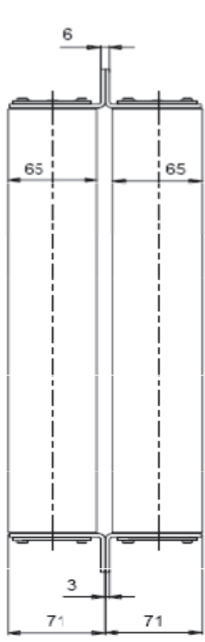
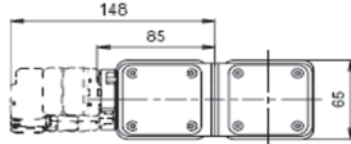
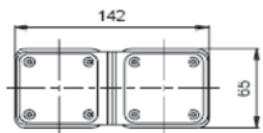
Rated Current I _n [A]	Without Indicator Article Number	With Microswitch Adapter Article Number	Power Loss [W]	Pre-arcing I ² t [A ² s]	Total I ² t* @ 4200V _{DC} [A ² s]
Size SQB-DC2-2					
400	9021025.400	9021026.400	305	47 200	392 000
500	9021025.500	9021026.500	348	84 000	700 000
630	9021025.630	9021026.630	465	132 000	1 092 000

Weight [kg/1]	7.08
Units per Package	1

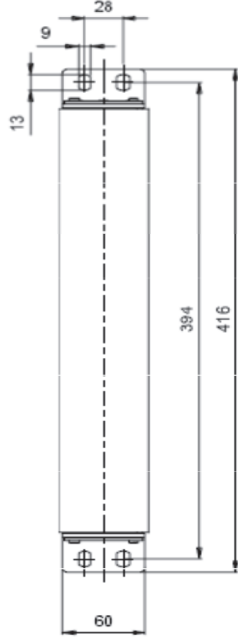
Accessories
M Microswitches
278 - 280

M8 Contact Bolt
Maximum Torque
15N•m
11.1lb•ft
133lb•in

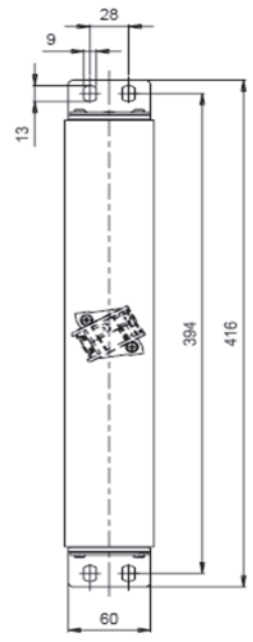
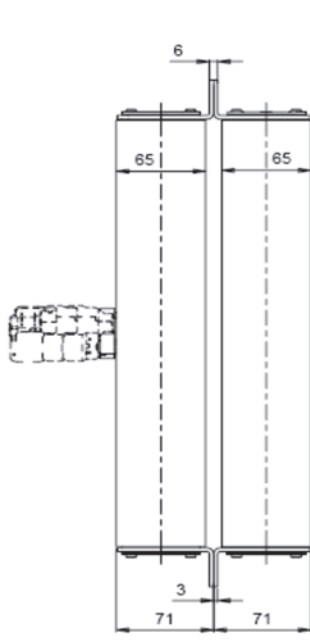
* (L/R=15ms)



9021025



9021026

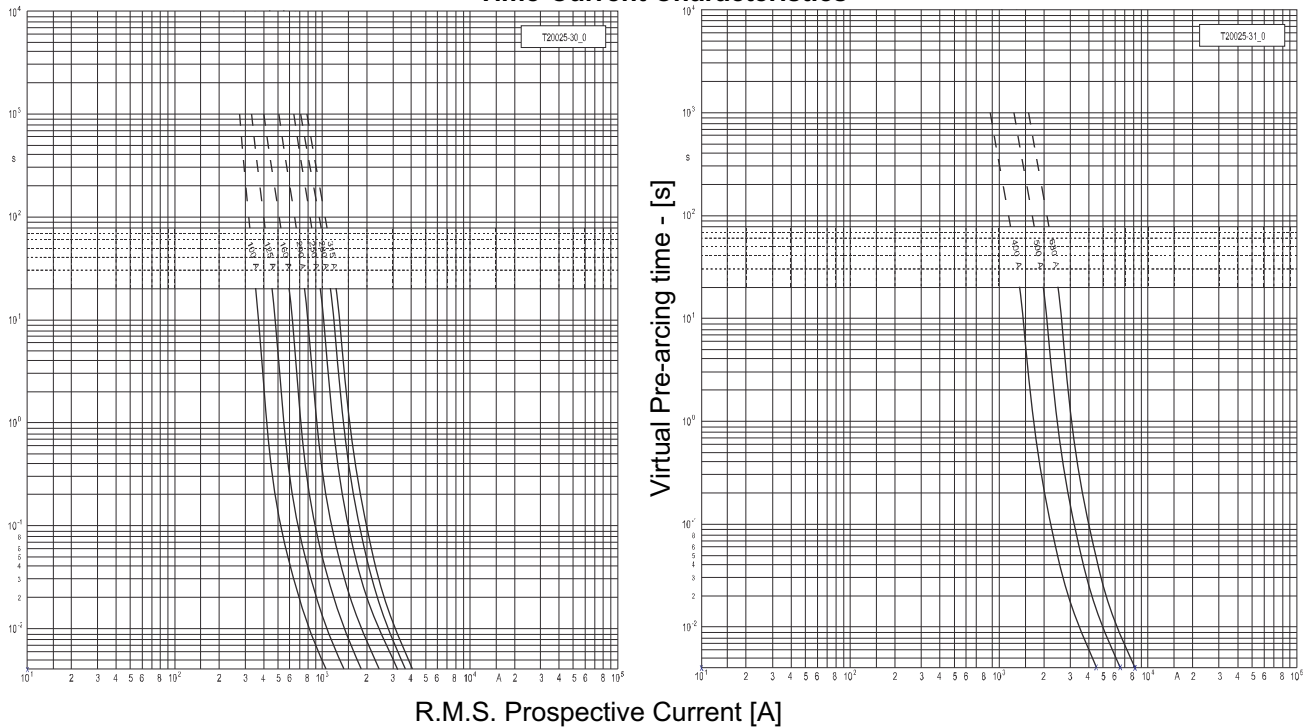


URDC	Rated Voltage [Un] 3600V _{DC}	Rated Breaking Test Capacity 30kA	Rated Breaking Test Voltage 4200V _{DC}	Class aR	Standard(s) IEC 60 077-5 UIC 550
-------------	---	---	---	--------------------	---


Size SQB-DC2 & SQB-DC0-2

Coefficients for Heavy Duty Applications				
a	A2	B1	B2	Cf3
130	0.55	1.25	0.6	0.8

Time-Current Characteristics



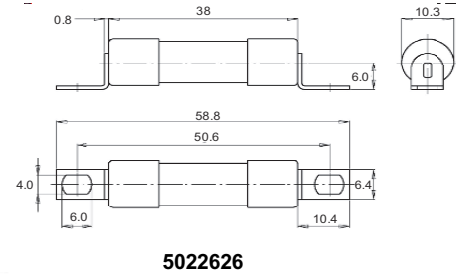
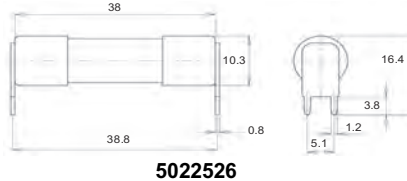
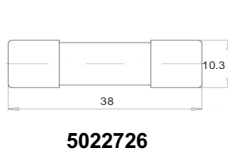
R.M.S. Prospective Current [A]

URDC

E180276
Size 10x38mm

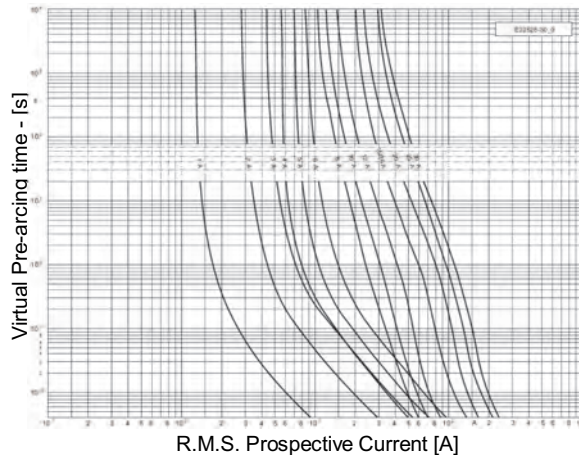
Rated Voltage [Un] 600V _{DC}	Rated Breaking Test Capacity 30kA (L/R=5ms)	Class gR gPV	Standard(s) UL 248-13 IEC 60 269-6
Rated Voltage 600V _{DC}		Rated Breaking Test Voltage 600V _{DC} (UL) 600V _{DC} (IEC)	Class gR gPV

Rated Current I _n [A]	Without indicator		Without indicator PCB		Without indicator 50.6mm Mounting		Power Loss [W]	Pre-arcing I ² t [A ² s]	Total I ² t* @600V _{DC} [A ² s]
	Article Number	UL	Article Number	UL	Article Number	UL			
1	5022526.1	✓	5022626.1	✓	5022726.1	✓	0.8	0.33	
2	5022526.2	✓	5022626.2	✓	5022726.2	✓	1.2	3	
3	5022526.3	✓	5022626.3	✓	5022726.3	✓	1.6	12	
4	5022526.4	✓	5022626.4	✓	5022726.4	✓	1.8	10	
5	5022526.5	✓	5022626.5	✓	5022726.5	✓	2.0	20	
6	5022526.6	✓	5022626.6	✓	5022726.6	✓	2.5	45	
8	5022526.8	✓	5022626.8	✓	5022726.8	✓	1.5	3	
10	5022526.10	✓	5022626.10	✓	5022726.10	✓	1.8	5	
12	5022526.20	✓	5022626.20	✓	5022726.20	✓	2.3	9	
15	5022526.15	✓	5022626.15	✓	5022726.15	✓	2.3	20	
16	5022526.16	✓	5022626.16	✓	5022726.16	✓	2.6	20	
20	5022526.20	✓	5022626.20	✓	5022726.20	✓	3.1	29	
25	5022526.25	✓	5022626.25	✓	5022726.25	✓	3.6	66	
30	5022526.30	✓	5022626.30	✓	5022726.30	✓	5.3	82	


Power loss limit of fuse base has to be considered



Time-Current Characteristics



Coefficients for Heavy Duty Applications				
a	A2	B1	B2	Cf3
130	0.9	1.25	0.5	0.8

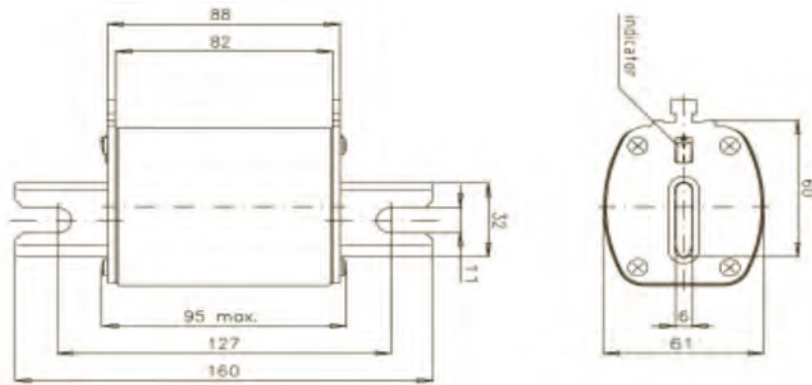
Fuse Modules - DIN Rail Mounting w/Lockout Clip		Page	Fuse Clips		Page
5105805.1DC	1-Pole	 282 750V/50A E186970	6100101.2	Fuse Clips Screw mounting	287
5105805.1LDC	1-Pole w/neon lamp indicator		6301701	Clamping plate for 6100101.2	
5105805.2DC	2-Pole		5805806	Fuse Clips PCB mounting	
5105805.2LDC	2-Pole w/neon lamp indicator				

URDC	Rated Voltage [Un] 1000V _{AC}	Rated Breaking Test Capacity 100kA	Class aR	Standard(s) IEC 60 269-40 VDE 0636 Part 40
-------------	---	---	--------------------	---

Size NH3

Rated Current I _n [A]	With Top Indicator Article Number	Power Loss [W]	Pre-arcing i ² t [A ² s]	Total i ² t @ 1000V _{AC} [A ² s]
100	2040704.100	28	2 100	5 800
125	2040704.125	34	2 900	8 900
160	2040704.160	36	4 100	12 800
200	2040704.200	41	5 600	18 000
224	2040704.224	45	6 700	21 500
250	2040704.250	49	10 000	31 000
315	2040704.315	73	34 000	97 000
355	2040704.355	77	51 000	152 000
400	2040704.400	79	60 000	180 000
450	2040704.450	82	74 000	220 000
500	2040704.500	87	125 000	370 000

Weight [kg/1]
1.01
Units per Package
1



2040704

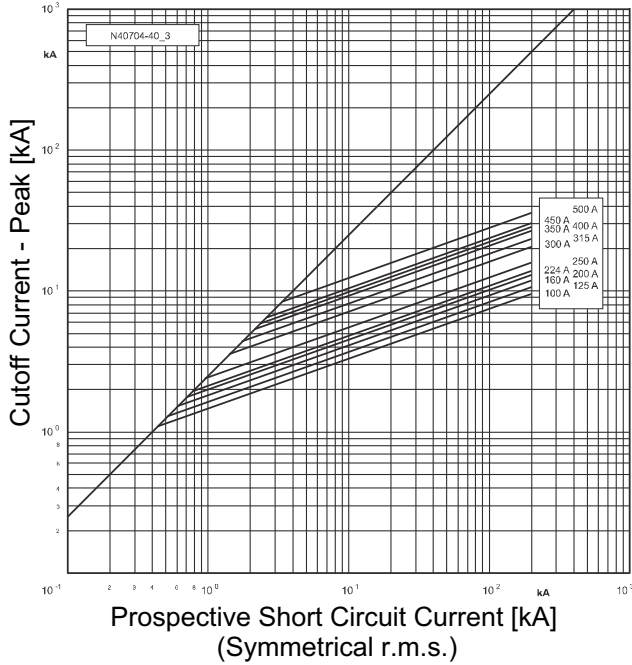
Accessories

Microswitch (Red Hammer)	Page	Page
2800202 Standard Level	278	
2800204 Low Level		

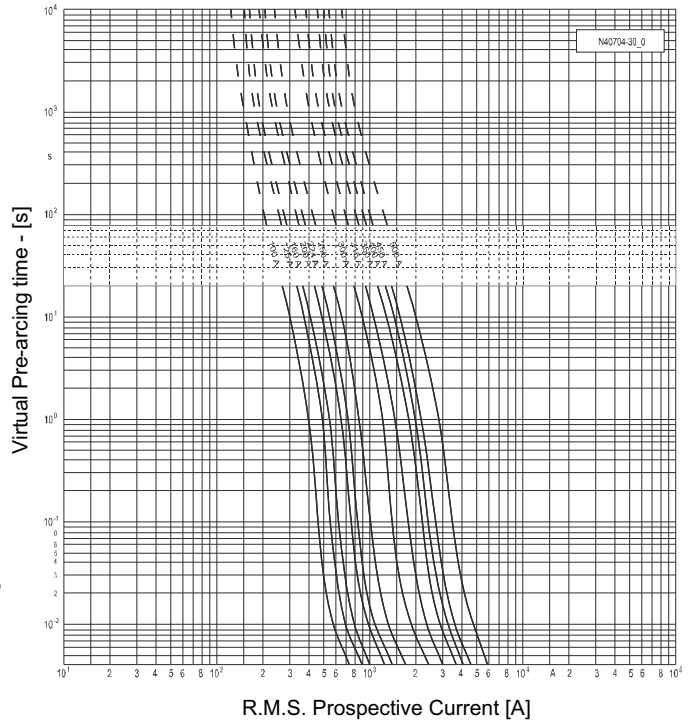
URDC	Rated Voltage [Un] 1000V _{AC}	Rated Breaking Test Capacity 100kA	Class aR	Standard(s) IEC 60 269-40 VDE 0636 Part 40
Size NH3				

Coefficients for Heavy Duty Applications				
a	A2	B1	B2	Cf3
130	0.55	1.3	0.6	0.8

Cut-Off current Characteristics



Time-Current Characteristics

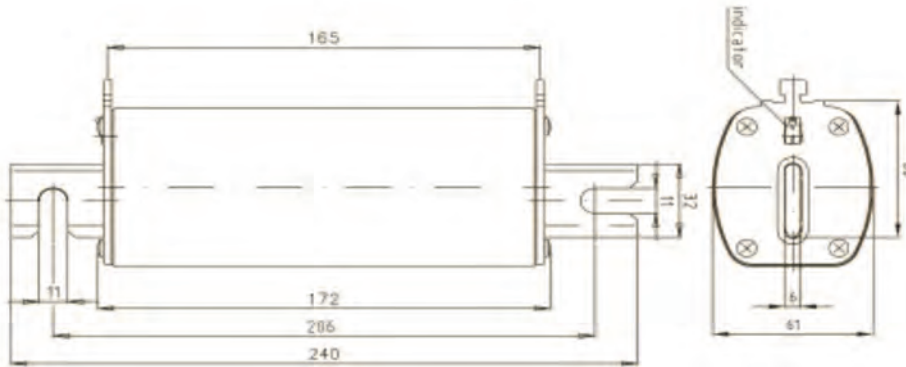


URDC	Rated Voltage [Un] 2000V _{AC}	Rated Breaking Test Capacity 100kA	Test Voltage 2000V _{AC}	Class aR	Standard(s) IEC 60 269-40 VDE 0636 Part 40
-------------	---	---	---	--------------------	---

Size NH3

Rated Current I _n [A]	With Top Indicator Article Number		Power Loss [W]	Pre-arcing i ² t [A ² s]	Total i ² t @ 2000V _{AC} [A ² s]
200	2040404.200		78	21 000	60 000
224	2040404.224		85	27 000	77 000
250	2040404.250		103	33 000	95 000
300	2040404.300		115	53 000	151 000
315	2040404.315		121	62 000	172 000
355	2040404.355		135	94 000	280 000
400	2040404.400		145	130 000	410 000
450	2040404.450		153	159 000	520 000

Weight [kg/1]
1.7
Units per Package
1



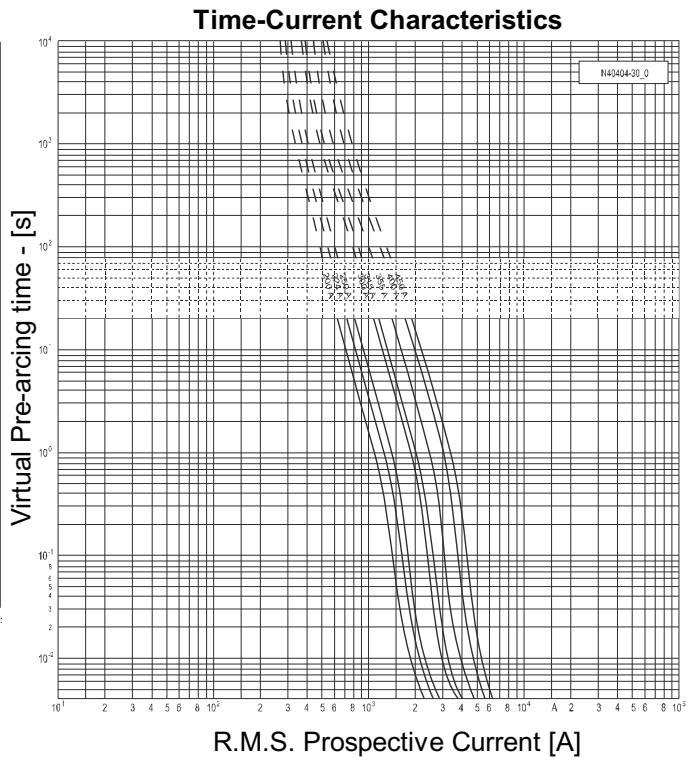
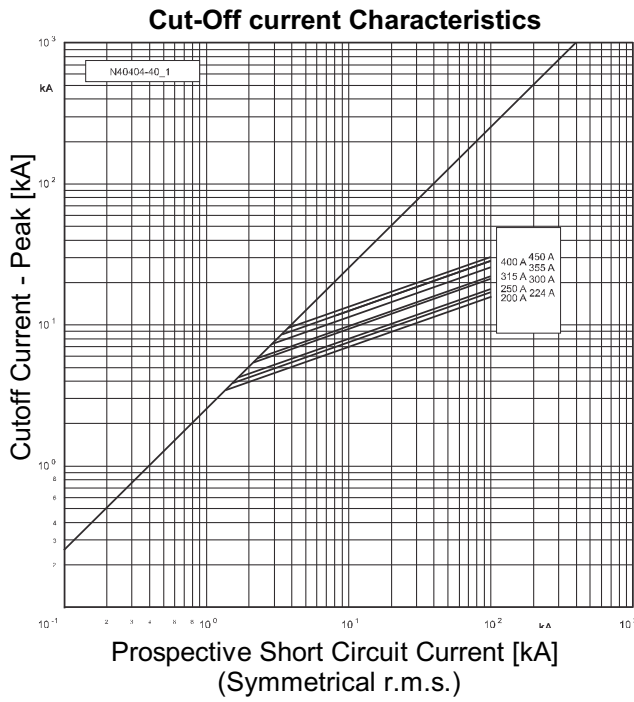
2040404

Accessories

Microswitch (Red Hammer)	Page	Page
2800202 Standard Level	278	
2800204 Low Level		

URDC	Rated Voltage [Un] 2000V _{AC}	Rated Breaking Test Capacity 100kA	Class aR	Standard(s) IEC 60 269-40 VDE 0636 Part 40
Size NH3				

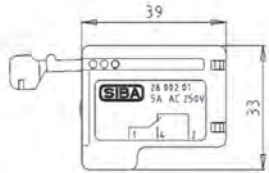
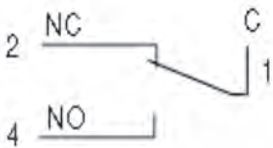
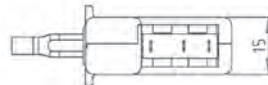
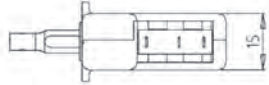
Coefficients for Heavy Duty Applications				
a	A2	B1	B2	Cf3
130	0.65	1.25	0.6	0.8



URDC

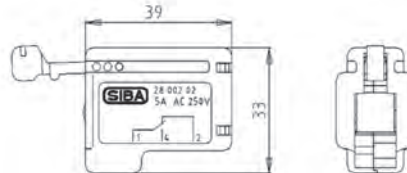
Accessories
Microswitch

GL Microswitch						
Standard Level						
Article Number	Insulating Voltage [V]	Change Over Circuits	Interrupt Rating			
			AC		DC	
			[V]	[A]	[V]	[A]
2800201	—	1	250	5(resistive)	33	3(resistive)
2800202				3(inductive)		
Low Level						
			Interrupt Rating			
			Minimum		Maximum	
2800203	—	1	5V _{AC}	1mA(resistive)	30V _{AC}	0.3A
2800204			5V _{DC}		30V _{DC}	
Weight [kg / 1]						
0.02						
Units per Package						
10						



2800201 / 2800203

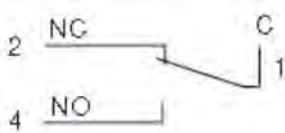
(Black Hammer)



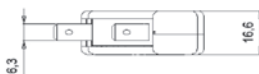
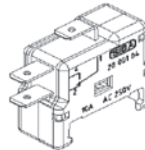
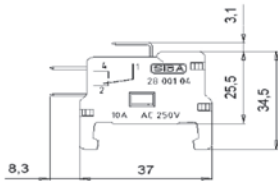
2800202 / 2800204

(Red Hammer)

M Microswitch						
Standard Level						
Article Number	Insulating Voltage [V]	Change Over Circuits	Interrupt Rating (Resistive Load)			
			Minimum Load Requirement AC/DC		Maximum AC / DC	
			[V] _{resistive}	[mA]	[V]	[A]
2800104	—	1	30	10	250	10
Low Level						
2801104	—	1	5	1	250V _{AC}	10
					35V _{DC}	1



2800104 Standard
2801104 Low Level



E186970





URDC

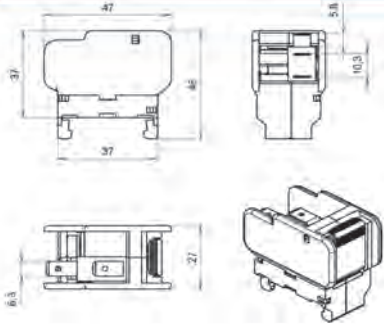
Accessories
Microswitch

B Microswitch						
Standard Level						
	Insulating Voltage	Change Over Circuits	Interrupt Rating (Resistive Load)			
			Minimum Load Requirement AC/DC		Maximum AC / DC	
2800310	1250	1	5V 30V 100V	50mA 10mA 5mA	250V _{AC} 35V _{DC}	12A _{AC} 10A _{DC}
2800311	2200	1				
2800312	5500	1				
Weight [kg / 1]						
0.025						
Units per Package						
10						
2800320	1250	2				
2800321	2200	2				
2800322	5500	2				
Weight [kg / 1]						
0.032						
Units per Package						
10						
Low Level						
	Insulating Voltage	Change Over Circuits	Interrupt Rating (Resistive Load)			
			Minimum Load Requirement AC/DC		Maximum AC / DC	
2800410	1250	1	DO NOT USE BELOW		250V _{AC} 35V _{DC}	10A _{AC} 1A _{DC}
2800411	2200	1				
2800412	5500	1				
Weight [kg / 1]			5V	1mA	250V _{AC} 35V _{DC}	10A _{AC} 1A _{DC}
0.025						
Units per Package						
10						
2800420	1250	2				
2800421	2200	2				
2800422	5500	2				
Weight [kg / 1]						
0.032						
Units per Package						
10						

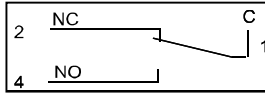
URDC

Accessories
Microswitch

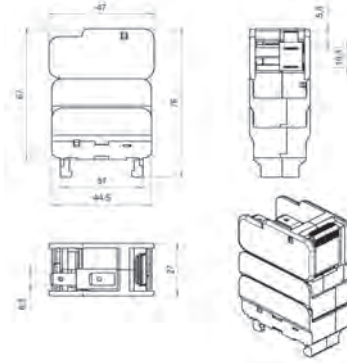
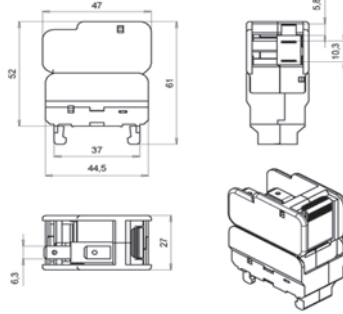
B - Microswitch



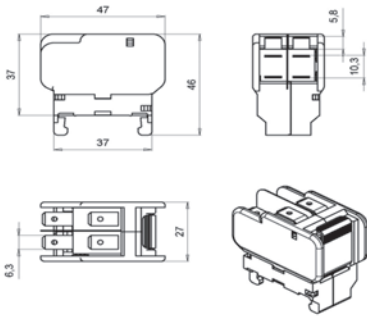
2800310
2800410



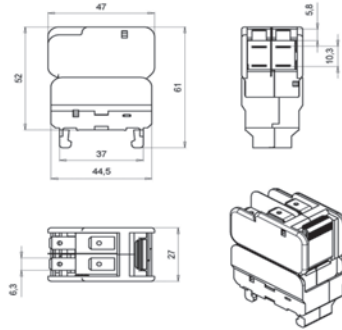
2800311
2800411



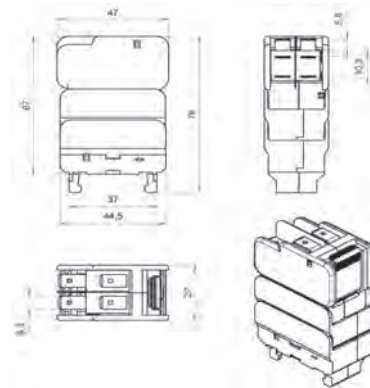
2800312
2800412



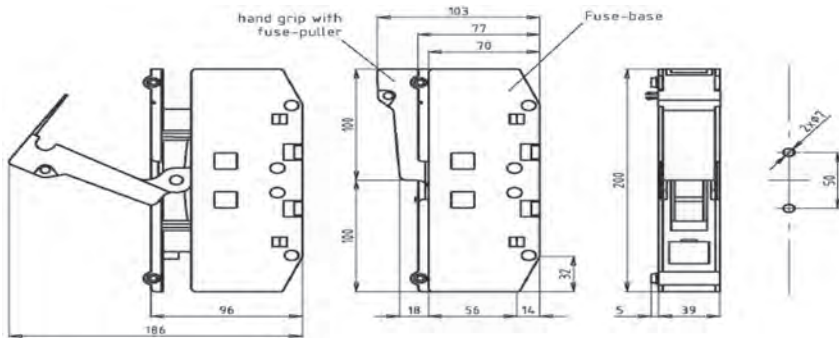
2800320
2800420



2800321
2800421



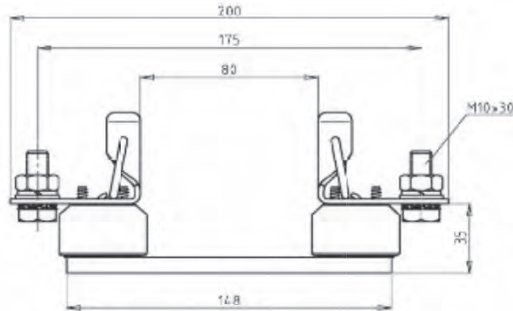
2800322
2800422



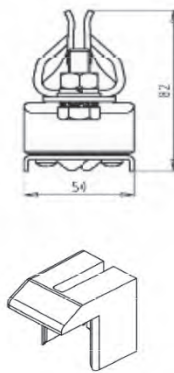
9108001

Maximum Torque - 10N•m
Standard(s)
IEC 90947-3; AC20B, DC020B

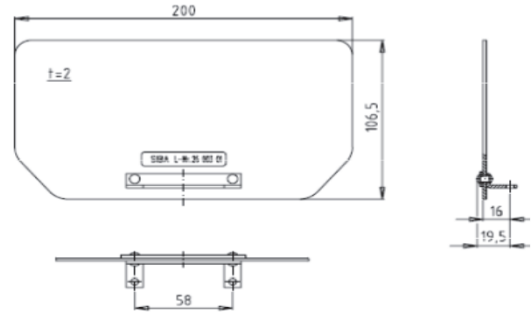
URDC		Rated Voltage		Accessories			Standard(s)	
		690V _{AC} / 1000V _{DC}		Fuse Bases			IEC 60269-2	
Fuse Size	Fuse Base Article No.	Rated Current [A]	Rated Power Acceptance [W]	Weight [kg/1]	Units per Package	External Wall Article No.	Partition Wall Article No.	Insulating Contact Covers Article No.
1 - Pole	2155601	250	32	0.72	1	2500301		2100301.26



2155601



2100301.26



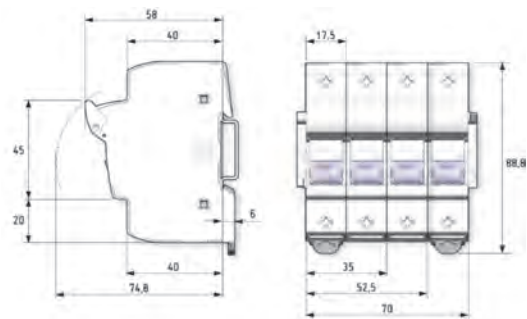
2500301

URDC	Rated Voltage	Standard(s)
E341490	1000V _{DC} - UL / IEC	UL 4248-1 & 18 UL 486E IEC 60269-1 & 2 CSA 22.2 IEC 60947-1 & 2
UL LISTED	5106305 DC 10mm x38mm Fuse Module	

10x38mm DIN Rail Mounting
Rated voltage; 1000V _{DC} , UL / IEC
Rated current; 30A UL, 32A IEC
Power acceptance; 4W
Conductor solid; 0.75mm ² - 16mm ² , 18AWG - 8AWG
Conductor stranded; 0.75mm ² - 16mm ² , 18AWG - 8AWG
Maximum torque; 2.5N•m - 3N•m, 18lb•in - 22lb•in
Utilization Category AC-21B 690V - DC-20B 1000V
Pollution degree; 3
Rated insulation voltage; U _{imp} = 6kV
Degree of protection; IP-20*
Construction, body & handle; Thermoplastic Polyester
Contacts; copper-silver plated
Flammability "UL 94"; V0
Operating temperature range; -50°C to +85°C**
Rating of light indicator; 350V _{DC} - 1000V _{DC}
*Depends on connection and mounting parts;
Contact SIBA for stranded wire ≤6mm ² or solid wire ≤ 10mm ²
** Avoid handling of lever during installation or maintenance below -20°C
Important: DO NOT OPEN UNDER LOAD !

Article No.	Description
5106305.1DC	1-Pole No indicator
5106305.1LDC	
5106305.2DC	2-Pole No indicator
5106305.2LDC	

Fuse module current derating for adjacent pole with direct contact	
Number of Poles	De-rating factor
1 - 3	1.0X _{I_n}
4 - 6	0.8X _{I_n}
7 - 9	0.7X _{I_n}
≥ 10	0.6X _{I_n}

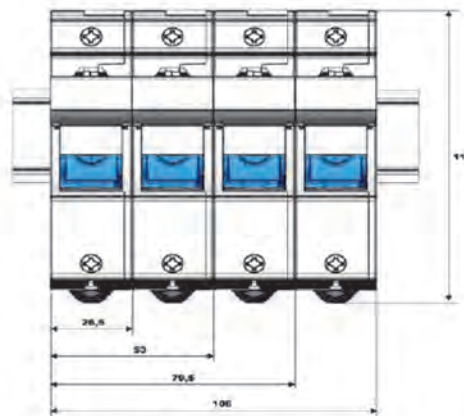
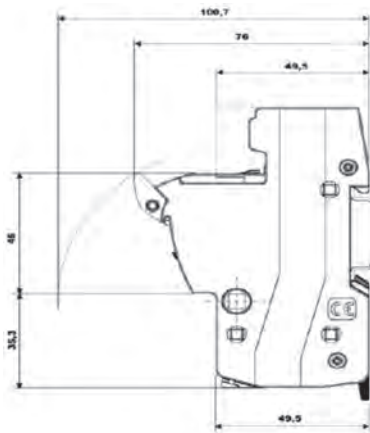


URDC	Rated Voltage	Accessories	Standard(s)	
	690V _{AC} - 1000V _{DC} - IEC w/lamp indicator		UL 4248-1 IEC 60269-1 & 2	CSA 22.2 Fuse IEC 60947-1 & 2

5105805 DC Series for 14x51mm 1000V Fuse Links

14x51mm DIN Rail Mounting
Rated voltage; IEC 690V _{AC} , 1000V _C
Rated current; 50A UL, 50A IEC
Power acceptance; 6W
Conductor solid; 1.5mm ² - 35mm ²
Conductor stranded; 1.5mm ² - 25mm ²
Torque rating; 2.5N•m - 3N•m, 18lb•in - 22lb•in
Utilization Category AC-21B 690V - DC-20B 1000V
Pollution degree; 3
Rated insulation voltage; U _{imp} = 8kV
Degree of protection; IP-20*
Construction, body & handle; Thermoplastic Polyester
Contacts; copper-silver plated
Flammability "UL 94"; V0
Operating temperature range; -40°C to +85°C**
Rating of light indicator; 350V _{DC} - 1000V _{DC}
*Depends on connection and mounting parts;
Contact SIBA for stranded wire ≤10mm ² or solid wire ≤ 10mm ²
** Avoid handling of lever during installation or maintenance below -20°C
Important: DO NOT OPEN UNDER LOAD !

Article No.	Description	
5105805.1DC	1-Pole	No indicator
5105805.1LDC		w/ Neon lamp indicator
5105805.1SDC		w/ Microswitch
5105805.2DC	2-Pole	No indicator
5105805.2LDC		w/ Neon lamp indicator
Fuse module current derating for adjacent pole with direct contact		
Number of Poles		De-rating factor
1 - 4		1.0I _n
5 - 6		0.8I _n
7 - 9		0.7I _n
≥ 10		0.6I _n



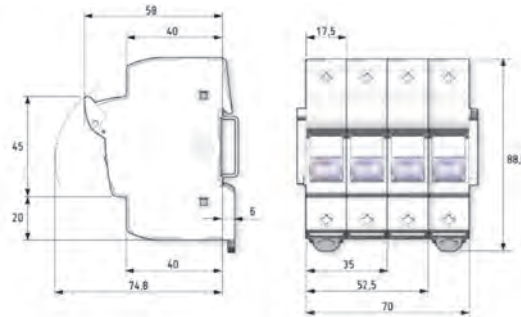
URDC E186970 	Rated Voltage 750V _{AC/DC} - UL 690V _{AC/} - 750V _{DC} - IEC w/lamp indicator	Accessories Fuse Modules	UL 4248-1 IEC 60269-1 & 2 IEC 60947-1 & 2	Standard(s) CSA 22.2 VDE 0636-1 & 2 VDE 0660-100 & 107
--	--	------------------------------------	---	--

5106305 DC Series for 10x38mm 750V_{AC/DC} Fuse Links

10x38mm DIN Rail Mounting
Rated voltage; 750V _{AC/DC} UL(rec), 690V _{AC} - 750V _{DC} IEC
Rated current; 30A - UL, 32A - IEC
Power acceptance; 4W
Conductor solid; 0.75mm ² - 16mm ² , 18AWG - 8AWG,
Conductor stranded; 0.75mm ² - 16mm ² , 18AWG - 8AWG
Torque rating; 2.5N•m, 18lb•in
Utilization Category AC-21B 690V - DC-20B 750V
Pollution degree; 3
Rated insulation voltage; U _{imp} = 6kV
Degree of protection; IP-20*
Construction, body & handle; Thermoplastic Polyester
Contacts; copper-silver plated
Flammability "UL 94"; V0
Operating temperature range; -50°C to +85°C**
Rating of light indicator; 120V _{AC/DC} - 690V _{AC/DC}
*Depends on connection and mounting parts;
Contact SIBA for stranded wire ≤6mm ² or solid wire ≤ 10mm ²
** Avoid handling of lever during installation or maintenance below -20°C
Important: DO NOT OPEN UNDER LOAD !

Article No.		
5106305.1	1-Pole	No indicator
5106305.L		w/ Neon lamp indicator
5106305.2	2-Pole	No Indicator
5106305.2L		w/ Neon lamp indicator
5106305.3	3-Pole	No Indicator
5106305.3L		w/ Neon lamp indicator
5106305.4	4-Pole	No Indicator
5106305.4L		w/ Neon lamp indicator
Fuse module current derating for adjacent pole with direct contact		
Number of Poles		De-rating factor
1 - 4		1.0X _{I_n}
5 - 6		0.8X _{I_n}
7 - 9		0.7X _{I_n}
≥ 10		0.6X _{I_n}

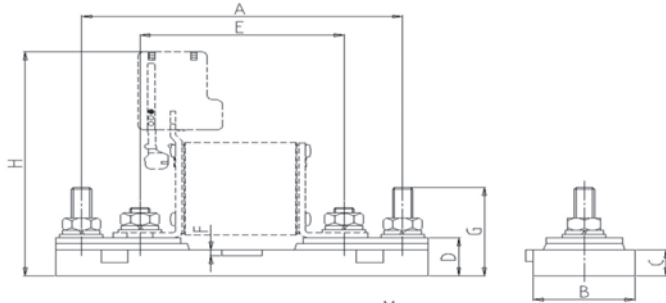
 **750V/30A**
E186970



URDC **Rated Voltage 1000VAC** **Rated Current 400A** **Power Acceptance 34W**

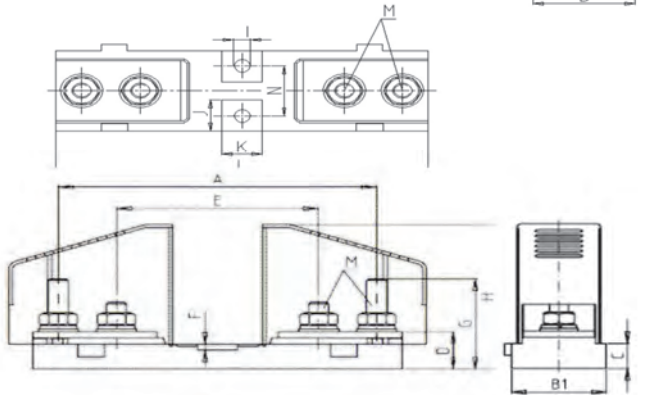
US
E186970 Size
NH000/00 DIN 80

Accessories
Fuse Bases

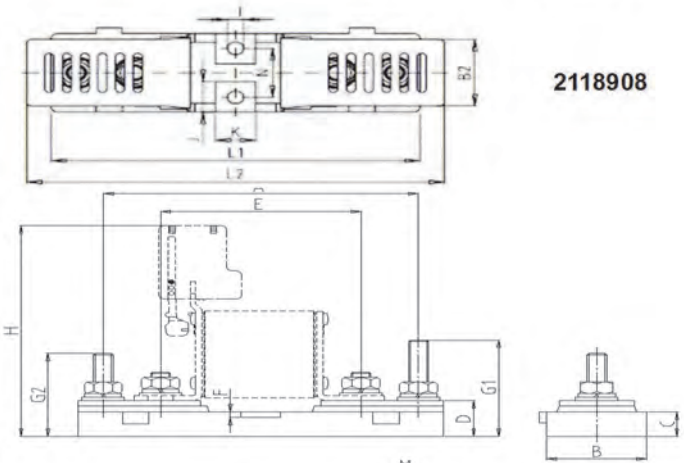


2118901

	Dimensions		
	[in / mm]		
	21 189 01	21 189 08	21 189 11
A	4.96 / 126	4.96 / 126	4.96 / 126
B	1.57 / 40	—	—
B₁	—	1.57 / 40	—
B₂	—	1.34 / 34	—
C	0.50 / 13	0.50 / 13	0.50 / 13
D	0.75 / 19	0.75 / 19	0.75 / 19
E	3.15 / 80	3.15 / 80	3.15 / 80
F	0.12 / 3	0.12 / 3	0.12 / 3
G	1.73 / 44	1.81 / 46	—
G₁	—	—	2.00 / 51
G₂	—	—	1.73 / 44
H	4.40 / 112	2.91 / 74	4.40 / 112
I	0.26 / 6.5	0.26 / 6.5	0.26 / 6.5
J	0.60 / 15.5	0.60 / 15.5	0.60 / 15.5
K	0.63 / 16	0.63 / 16	0.63 / 16
L_{max}	5.75 / 146	—	5.75 / 146
L₁	—	5.75 / 146	—
L₂	—	6.50 / 165	—
M	M8	M8	M8
N	0.98 / 25	0.98 / 25	0.98 / 25
Max M8 nut torque			
12N•m			
8.8lb•ft			
106lb•in			
Max base mounting torque			
4N•m			
3lb•ft			
35lb•in			



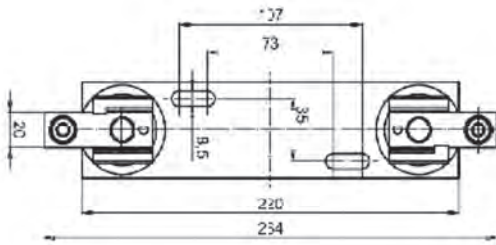
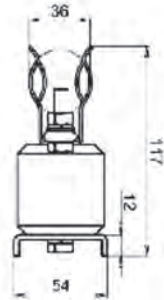
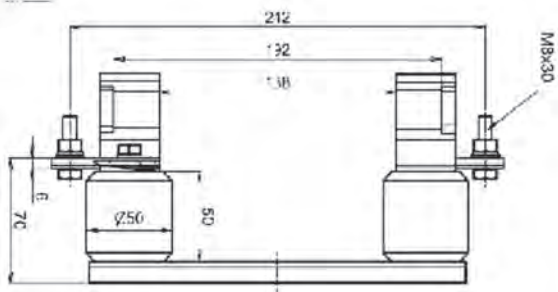
2118908



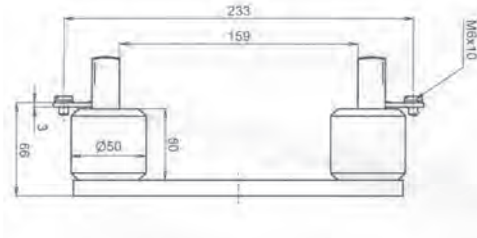
2118911

URDC

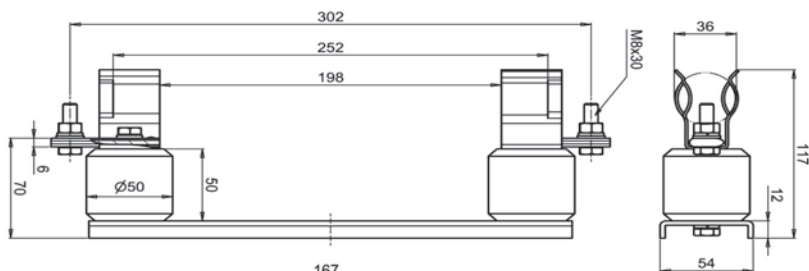
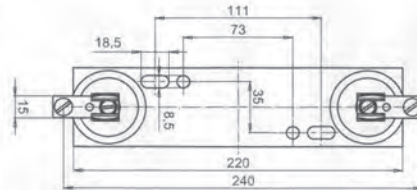
Accessories
Fuse Bases



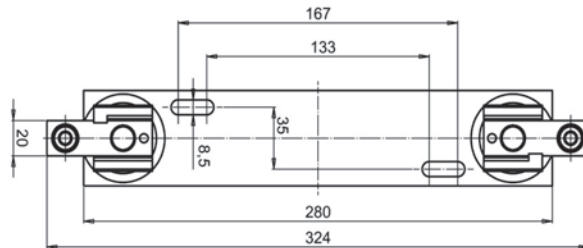
9109401
36mmx190mm



9109001
20mmx190mm

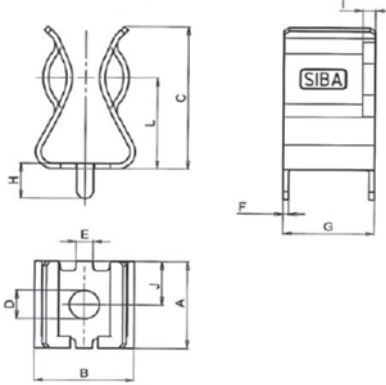


9109601
2000V_{DC} - 36mmx250mm



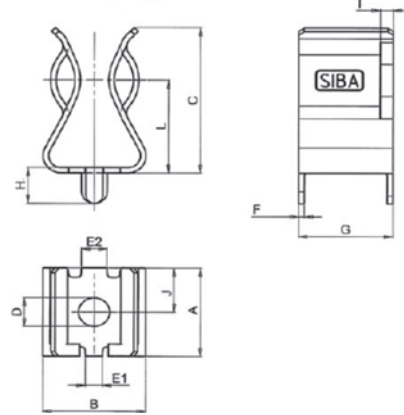
Accessories
Fuse Clips

Fuse Clips for 10mm Diameter Contacts

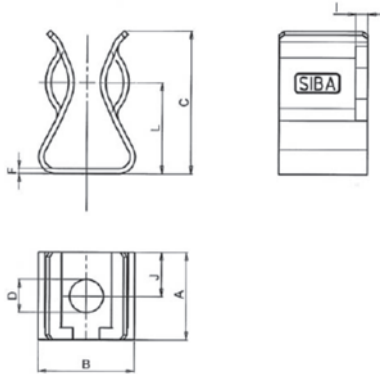


5806316

Dimensions [in / mm]		
5806316		5806319
0.43 / 11.0	A	0.43 / 11.0
0.47 / 12.0	B	0.47 / 12.0
0.71 / 18.0	C	0.71 / 18.0
0.14 / 3.6	D	0.14 / 3.6
0.08 / 2.0	E	—
—	E₁	0.08 / 2.0
—	E₂	0.12 / 3.0
0.03 / 0.65	F	0.03 / 0.65
0.43 / 11.0	G	0.43 / 11.0
0.18 / 4.45	H	0.18 / 4.45
0.06 / 1.5	I	0.06 / 1.5
0.22 / 5.5	J	0.22 / 5.5
0.45 / 11.5	L	0.45 / 11.5

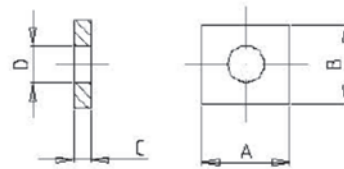


5806319



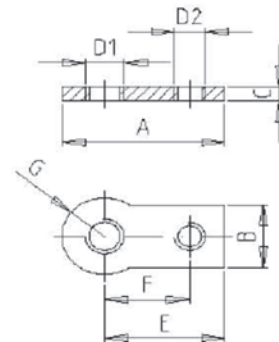
5806317

Dimensions [in / mm]		
5806317		6301701
0.43 / 11.0	A	0.39 / 10.0
0.47 / 12.0	B	0.35 / 9.0
0.71 / 18.0	C	0.08 / 2.0
0.17 / 4.2	D	0.17 / 4.2
—	E	—
0.03 / 0.65	F	—
—	G	—
—	H	—
0.06 / 1.5	I	—
0.22 / 5.5	J	—



6301701

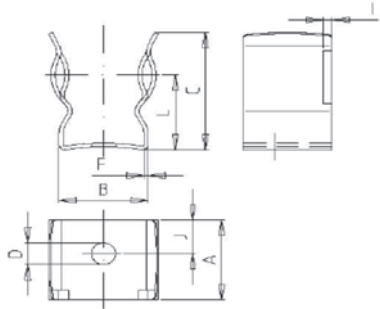
Dimensions [in / mm]		
		6101701.3
	A	0.83 / 21.0
	B	0.24 / 6.0
	C	0.08 / 2.0
	D₁	— / M5
	D₂	— / M4
	E	0.61 / 15.5
	F	0.43 / 11.0
	G	0.22 / 5.5



6101701.3

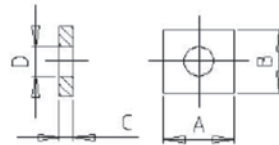
Accessories
Fuse Clips

Fuse Clips for 14mm Diameter Contacts

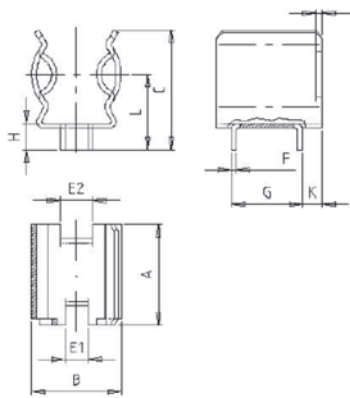


6100101.2

Dimensions [in / mm]		
6100101.2		6301701
0.61 / 15.5	A	0.39 / 10.0
0.61 / 15.5	B	0.35 / 9.0
0.90 / 22.8	C	0.08 / 2.0
0.17 / 4.2	D	0.17 / 4.2
0.03 / 0.7	F	—
0.06 / 1.5	I	—
0.26 / 6.5	J	—
0.57 / 14.5	L	—



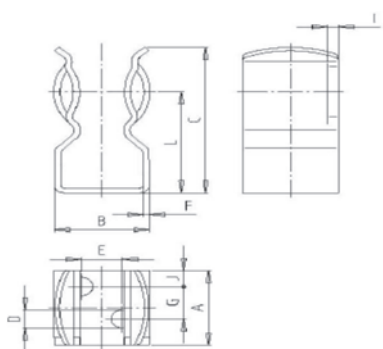
6301701



5805806

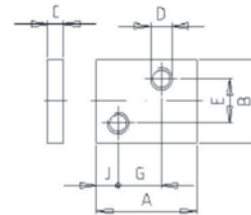
Dimensions [in / mm]		
5805806		
0.63 / 16.0	A	
0.47 / 12.0	B	
0.61 / 15.5	C	
	D	
	E	
0.14 / 3.5	E ₁	
0.20 / 5.0	E ₂	
0.03 / 0.70	F	
0.42 / 10.7	G	
0.17 / 4.2	H	
0.04 / 1.0	I	
0.12 / 3.0	K	
0.33 / 8.5	L	

Fuse Clips for 22mm Diameter Contacts



6100201.3

Dimensions [in / mm]		
6100201.3		6300201
0.73 / 18.5	A	0.73 / 18.5
0.72 / 18.4	B	0.59 / 15.0
1.42 / 36.0	C	0.12 / 3.0
0.18 / 4.2	D	— / M4
0.31 / 8.0	E	0.31 / 8.0
0.05 / 1.2	F	—
0.31 / 8.0	G	0.31 / 8.0
0.08 / 2.0	I	—
0.16 / 4.0	J	0.16 / 4.0
0.98 / 25.0	L	—

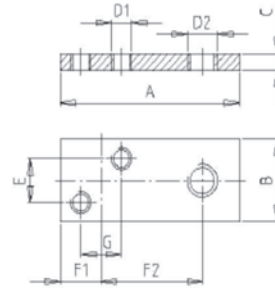


6300201

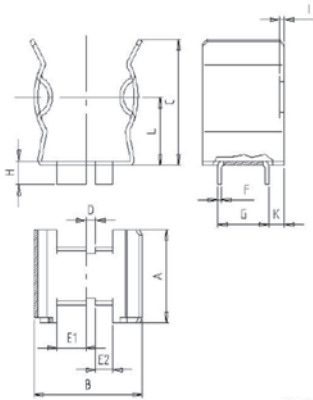
Accessories
Fuse Clips

Fuse Clips for 22mm Diameter Contacts

Dimensions [in / mm]	
	6100201.4
A	1.40 / 35.5
B	0.59 / 15.0
C	0.12 / 3.0
D₁	— / M4
D₂	— / M6
E	0.31 / 8.0
F₁	0.30 / 7.5
F₂	0.31 / 8.0
G	0.31 / 8.0



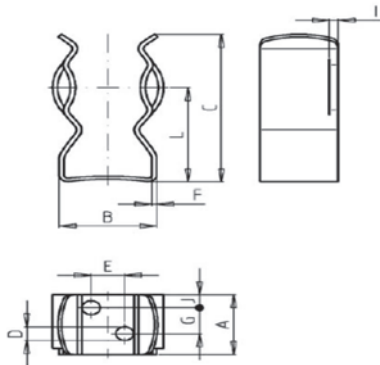
6100201.4



5806006

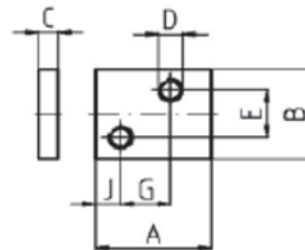
Dimensions [in / mm]	
5806006	
0.67 / 17.0	A
0.79 / 20.0	B
0.91 / 23.0	C
0.08 / 2.0	D
	E
0.24 / 6.0	E₁
0.14 / 3.5	E₂
0.03 / 0.8	F
0.42 / 10.7	G
0.17 / 4.2	H
0.04 / 1.0	I
0.13 / 3.2	K
0.49 / 12.5	L

Fuse Clips for 27mm Diameter Contacts



6100401.3

Dimensions [in / mm]		
6100401.3		6300201
0.73 / 18.5	A	0.73 / 18.5
0.91 / 23.2	B	0.59 / 15.0
1.79 / 45.5	C	0.12 / 3.0
0.17 / 4.3	D	— / M4
0.31 / 8.0	E	0.31 / 8.0
0.05 / 1.2	F	—
0.31 / 8.0	G	0.31 / 8.0
0.08 / 2.0	I	—
0.16 / 4.0	J	0.16 / 4.0
1.14 / 29.0	L	—

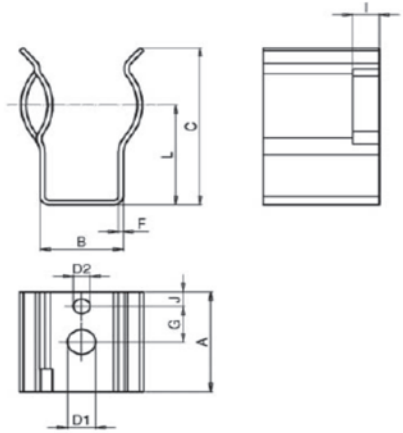


6300201

URDC

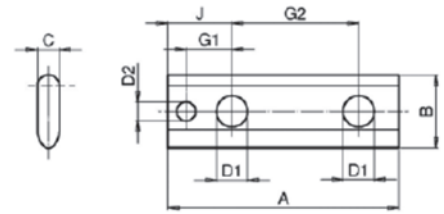
Accessories
Fuse Clips

Fuse Clips for 36mm Diameter Contacts



9109401.3

Dimensions [in / mm]		
9109401.3		9109401.4
1.38 / 35.0	A	2.48 / 63.0
0.98 / 25.0	B	0.79 / 20.0
2.17 / 55.0	C	0.24 / 6.0
0.33 / 8.5	D ₁	0.33 / 8.5
0.20 / 5.1	D ₂	0.20 / 5.1
0.06 / 1.5	F	—
0.49 / 12.5	G	—
—	G ₁	0.49 / 12.5
—	G ₂	1.36 / 34.5
0.31 / 8.0	I	—
0.20 / 5.0	J	0.69 / 17.5
1.38 / 35.0	L	—



9109401.4