

Modular Single Pole SPD ProTec C(R) 40 (1+0) Class II • Type 2



Location of Use: Sub-distribution Boards
Network Systems: TN-S, TN-C, TT (only L-N)
Mode of Protection: L-PE, N-PE, L-PEN, L-N
Surge Ratings: $I_n = 20\text{ kA (8/20}\mu\text{s)}$
 $I_{max} = 40\text{ kA (8/20}\mu\text{s)}$
IEC/EN Category: Class II / Type 2
Protective Elements: High Energy MOV
Housing: Modular Design
Compliance: IEC 61643-11:2011
 EN 61643-11:2012

Technical Data

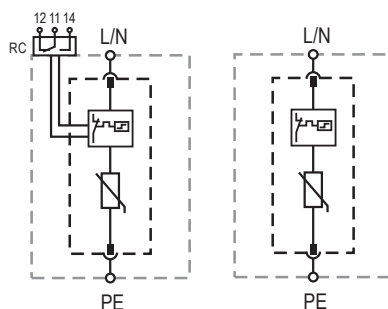
ProTec C(R) 40/xxx (1+0)		75	150	275	320	385	440
Electrical							
Nominal AC Voltage (50/60 Hz)	U_o	60V	120V	230V	230V	230V	230V
Maximum Continuous Operating Voltage (AC)	U_c	75V	150V	275V	320V	385V	440V
Nominal Discharge Current (8/20 μs)	I_n	20 kA					
Maximum Discharge Current (8/20 μs)	I_{max}	40 kA					
Voltage Protection Level	U_p	< 0.7 kV	< 1.0 kV	< 1.5 kV	< 1.5 kV	< 1.9 kV	< 2.0 kV
Response Time	t_A	< 25 ns					
Back-Up Fuse (if mains > 125 A)		125 A gG					
Short-Circuit Current Rating (AC)	I_{SCCR}	25 kA					
TOV Withstand 5s	U_T	87V	174V	335V	335V	438V	438V
Number of Ports		1					
Mechanical & Environmental							
Temperature Range	T_a	-40 °C to +85 °C					
Permissible Humidity	RH	5%...95%					
Terminal Screw Torque	M_{max}	3.0 Nm					
Conductor Cross Section (max)		35 mm ² (solid) / 25 mm ² (stranded)					
Mounting		35 mm DIN Rail, EN 60715					
Degree of Protection		IP 20					
Housing Material		Thermoplastic: Extinguishing Degree UL 94 V-0					
Thermal Protection		Yes					
Fault Indication		Red Flag					
Remote Contacts (RC)		Optional					
RC Switching Capacity		AC: 250V/0.5A; 125V/3A					
RC Terminal Cross Section (max)		1.5 mm ²					
RC Terminal Screw Torque	M_{max}	0.25 Nm					
Order Information							
Order Code		75	150	275	320	385	440
PROTEC C 40/xxx (1+0)		50.A063	50.A064	50.A065	50.A045	50.A066	50.A067
PROTEC CR 40/xxx (1+0) (with remote contacts)		50.A068	50.A069	50.A070	50.A046	50.A071	50.A072
Module PROTEC C(R) 40/xxx		50.A073	50.A074	50.A075	50.A049	50.A076	50.A077

ProTec C(R) 40 (1+0)

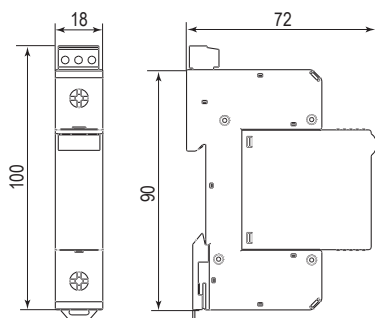
Internal Configuration

Legend

- L Line
- N Neutral
- PE Protective Earth
- RC Remote Contacts Optional



Dimensions & Packaging [mm]

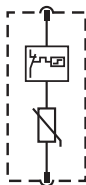


Dimensions & Packaging

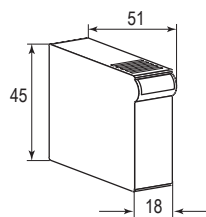
ProTec C 40/xxx (1+0)	75	150	275	320	385	440
Single Unit Weight	112g	122g	128g	128g	129g	130g
Single Unit DIN 43880 Dimension	1 TE					
Packaging Dimensions (H x W x L)	110 x 77 x 24 mm					
Minimum Order Quantity	12 Units					
ProTec CR 40/xxx (1+0)	75	150	275	320	385	440
Single Unit Weight	117g	127g	133g	133g	134g	135g
Single Unit DIN 43880 Dimension	1 TE					
Packaging Dimensions (H x W x L)	109 x 77 x 24 mm					
Minimum Order Quantity	12 Units					

Module Internal Configuration

Module ProTec C(R) 40/xxx



Dimensions & Packaging [mm]



Dimensions & Packaging

Module ProTec C(R) 40/xxx	75	150	275	320	385	440
Weight per Unit	44g	48g	52g	56g	58g	60g
Packaging Dimensions	98 x 77 x 110 mm					
Minimum Order Quantity	12 Units					

