

Modular Single Pole SPD **SafeTec C(R) (1+0)** Class II • Type 2



Location of Use: Sub-distribution Boards
Network Systems: TN-S, TN-C, TT (only L-N)
Mode of Protection: L-PE, N-PE, L-PEN, L-N
Surge Ratings: I_n = up to 20 kA (8/20 μ s)
 I_{max} = up to 50 kA (8/20 μ s)
IEC/EN Category: Class II / Type 2
Protective Elements: High Energy MOV and GDT
Safety: TOV Withstand
Housing: Modular Design
Compliance: IEC 61643-11:2011
 EN 61643-11:2012

Technical Data

SafeTec C(R) yy/xxx (1+0)		75	150	275	385	440	750	880
Electrical								
Nominal AC Voltage (50/60Hz)	U_o	48V	120V	230V	230V	230V	400V	400V
Maximum Continuous Operating Voltage (AC)	U_c	75V	150V	275V	385V	440V	750V	880V
Nominal Discharge Current (8/20 μ s)	I_n	10 kA	20 kA	20 kA	20 kA	20 kA	12.5 kA	12.5 kA
Maximum Discharge Current (8/20 μ s)	I_{max}	20 kA	50 kA	50 kA	50 kA	50 kA	25 kA	25 kA
Voltage Protection Level	U_p	< 0.8 kV	< 1.1 kV	< 1.5 kV	< 2.2 kV	< 2.3 kV	< 2.8 kV	< 3.0 kV
Response Time	t_A	< 25 ns						
Back-Up Fuse (if mains > 125A)		125A gG						
Short-Circuit Current Rating (AC)	I_{SCCR}	25 kA						
TOV withstand 5s	U_T	92V	228V	438V	520V	594V	1000V	1100V
Number of Ports		1						

Mechanical & Environmental

Temperature Range	T_a	-40 °C to +85 °C						
Permissible Humidity	RH	5%...95%						
Terminal Screw Torque	M_{max}	3.0 Nm						
Conductor Cross Section (max)		35 mm ² (solid) / 25 mm ² (stranded)						
Mounting		35 mm DIN Rail, EN 60715						
Degree of Protection		IP 20						
Housing Material		Thermoplastic: Extinguishing Degree UL 94 V-0						
Thermal Protection		Yes						
Fault Indication		Red Flag						
Remote Contacts (RC)		Optional						
RC Switching Capacity		AC: 250V/0.5A; 125V/3A						
RC Terminal Cross Section (max)		1.5 mm ²						
RC Terminal Screw Torque	M_{max}	0.25 Nm						

Order Information

Order Code	75	150	275	385	440	750	880
SAFETEC C 20/xx (1+0)	516.853						
SAFETEC CR 20/xx (1+0) (with remote contacts)	516.859						
SAFETEC C 40/xxx (1+0)		516.854	516.855	516.856	516.857		
SAFETEC CR 40/xxx (1+0)(with remote contacts)		516.860	516.861	516.862	516.863		
SAFETEC C 25/xxx (1+0)*						516.858	516.A66
SAFETEC CR 25/xxx (1+0)(with remote contacts)*						516.864	516.A67
Module SAFETEC C(R) 20/xx	516.865						
Module SAFETEC C(R) 40/xxx		516.866	516.867	516.868	516.869		
Module SAFETEC C(R) 25/xxx*						516.870	516.A68

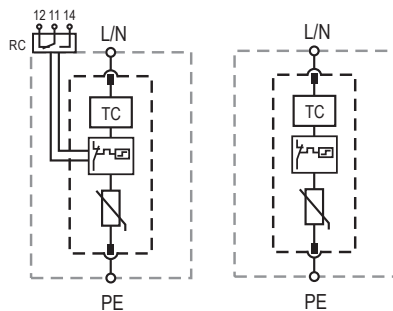
*Product also available with UL certification.

SafeTec C(R) (1+0)

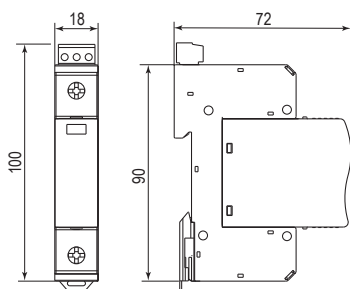
Internal Configuration

Legend

- L Line
- N Neutral
- PE Protective Earth
- RC Remote Contacts Optional
- TC Thermal Control Function



Dimensions & Packaging [mm]

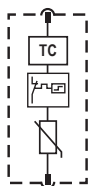


Dimensions & Packaging

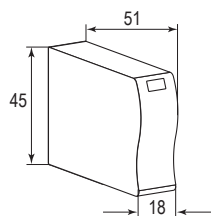
SafeTec C 20/xx (1+0)	75			
Single Unit Weight	125 g			
SafeTec C 40/xxx (1+0)	150	275	385	440
Single Unit Weight	140 g	140 g	148 g	150 g
SafeTec C 25/xxx (1+0)				750 880
Single Unit Weight				156 g 156 g
SafeTec CR 20/xx (1+0)	75			
Single Unit Weight	130 g			
SafeTec CR 40/xxx (1+0)	150	275	385	440
Single Unit Weight	148 g	148 g	156 g	158 g
SafeTec CR 25/xxx (1+0)				750 880
Single Unit Weight				164 g 164 g
Single Unit DIN 43880 Dimension	1 TE			
Packaging Dimensions (H x W x L)	109 x 77 x 24 mm			
Minimum Order Quantity	12 Units			

Module Internal Configuration

Module SafeTec C(R) yy/xxx



Dimensions & Packaging [mm]



Dimensions & Packaging

Module SafeTec C(R) 20/xx	75			
Single Unit Weight	58 g			
Module SafeTec C(R) 40/xxx	150	275	385	440
Single Unit Weight	62 g	66 g	72 g	74 g
Module SafeTec C(R) 25/xxx				750 880
Single Unit Weight				78 g 78 g
Single Unit DIN 43880 Dimension	1 TE			
Packaging Dimensions (H x W x L)	98 x 77 x 110 mm			
Minimum Order Quantity	12 Units			

